

WR62 Waveguide Low Power Load
12.4-14.5GHz with Rectangular Waveguide Interface

Waveguide Load

RM-WLD62-2

Description

RM-WLD62-2 Waveguide load , operating from 12.4 to 14.5GHz and low VSWR 1.1:1. It can handle ≥ 2 W continuously and 0.5KW peak power. With low VSWR and lightweight features, it is ideal for use in system or test bench setups and as small medium power dummy loads.

Specifications

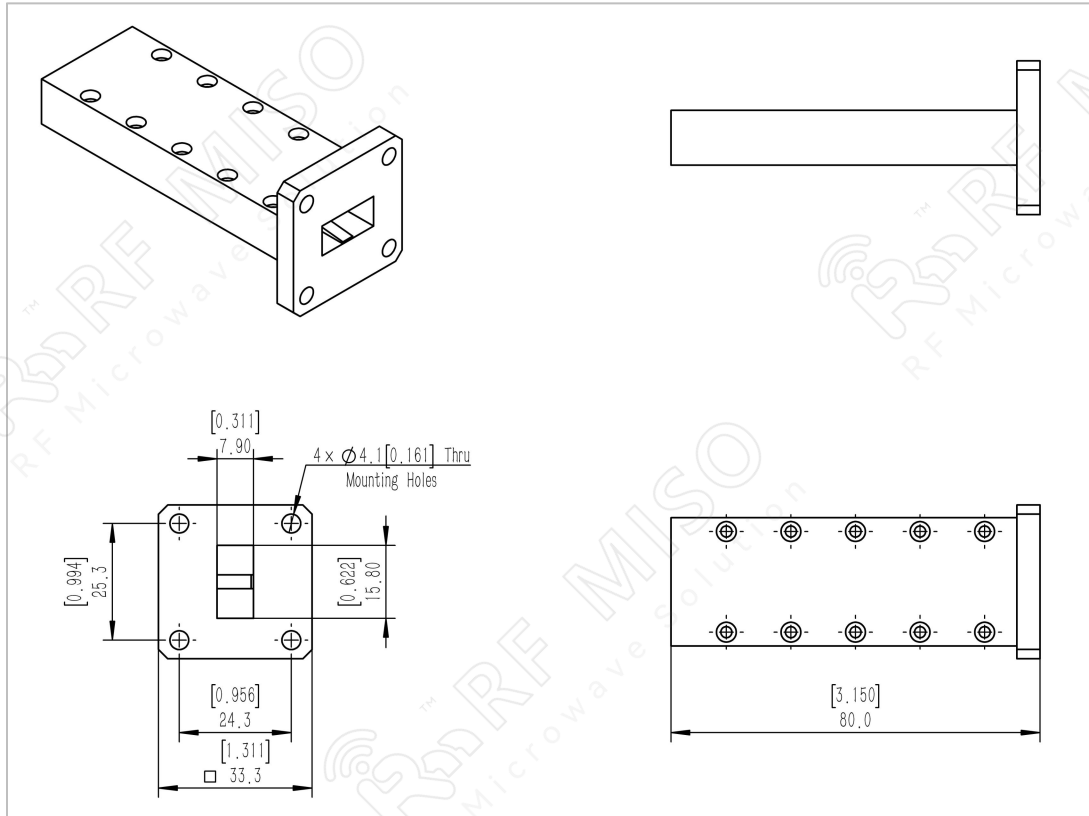
| RM-WLD62-2 | | |
|-------------------|----------------|------|
| Parameters | Specification | Unit |
| Frequency Range | 12.4-14.5 | GHz |
| VSWR | <1.1 | |
| Waveguide Size | WR462 | |
| Material | Al | |
| Size(L*W*H) | 80.0*33.3*33.3 | mm |
| Weight | 0.057 | Kg |
| Avg. Power | ≥ 2 | W |
| Peak Power | 1 | KW |

WR62 Waveguide Low Power Load
12.4-14.5GHz with Rectangular Waveguide Interface

Waveguide Load

RM-WLD62-2

Outline Drawing



VSWR

