

Waveguide to Coaxial Adapter
33-50GHz Frequency Range

Waveguide to Coaxial Adapter Data Sheet

RM-WCA22

Features

- Full Waveguide Band Performance
- Low Insertion Loss and VSWR
- Test Lab
- Instrumentation

Descriptions

The **RM-WCA22** are right angle (90°) waveguide to coaxial adapters that operate the frequency range of 33-50GHz. They are designed and manufactured for instrumentation grade quality but offered at a commercial grade price, allowing for an efficient transition between the rectangular waveguide and 2.4mm female coaxial connector.

Specifications

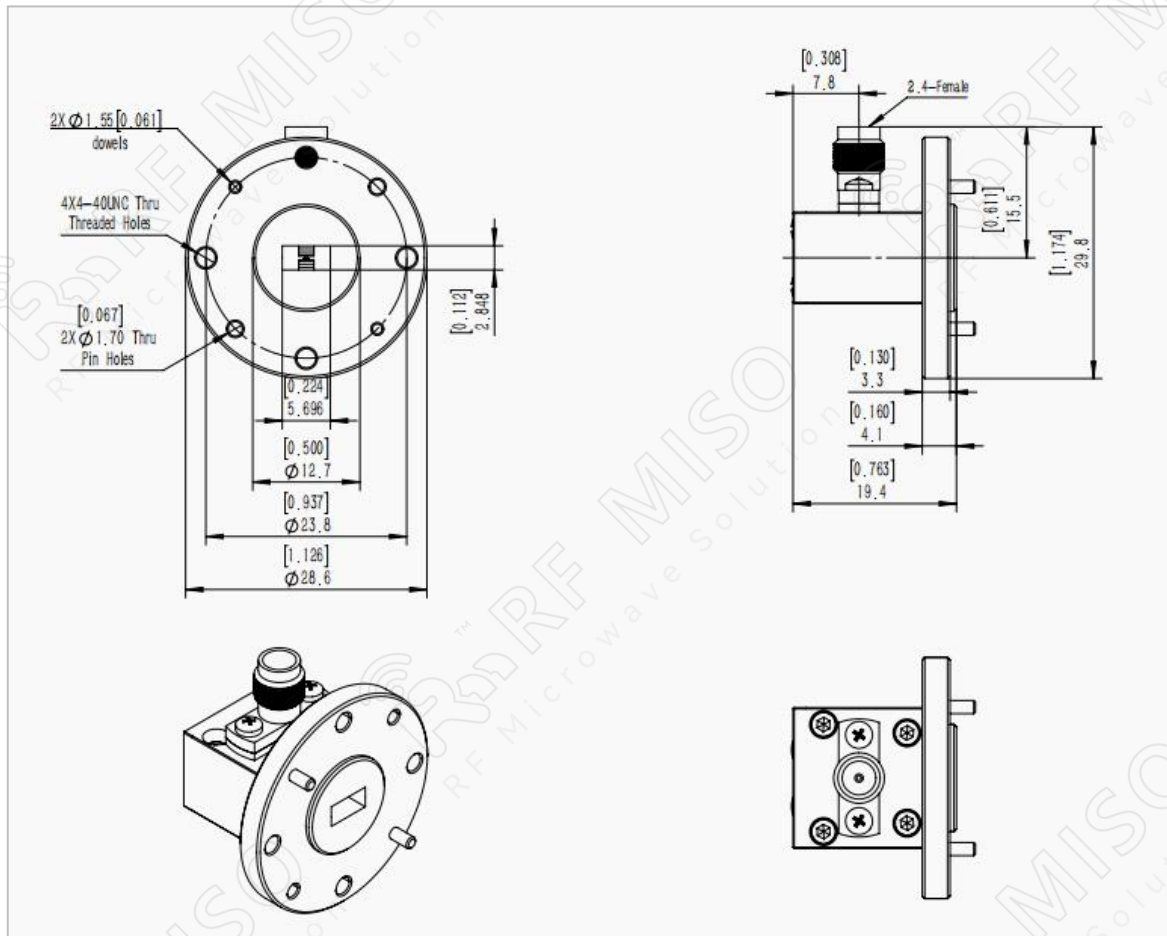
RM-WCA22		
Item	Specification	Units
Frequency Range	33-50	GHz
Waveguide	WR22	dBi
VSWR	1.3 Max	
Insertion Loss	0.45 Max	dB
Return Loss	37 Typ.	dB
Flange	FUGP400	
Connector	2.4mm female	
Peak Power	0.02	kW
Material	Al	
Size (L*W*H)	28.6*19.4*28.6(±5)	mm
Net Weight	0.013	Kg

Waveguide to Coaxial Adapter
33-50GHz Frequency Range

Waveguide to Coaxial Adapter Data Sheet

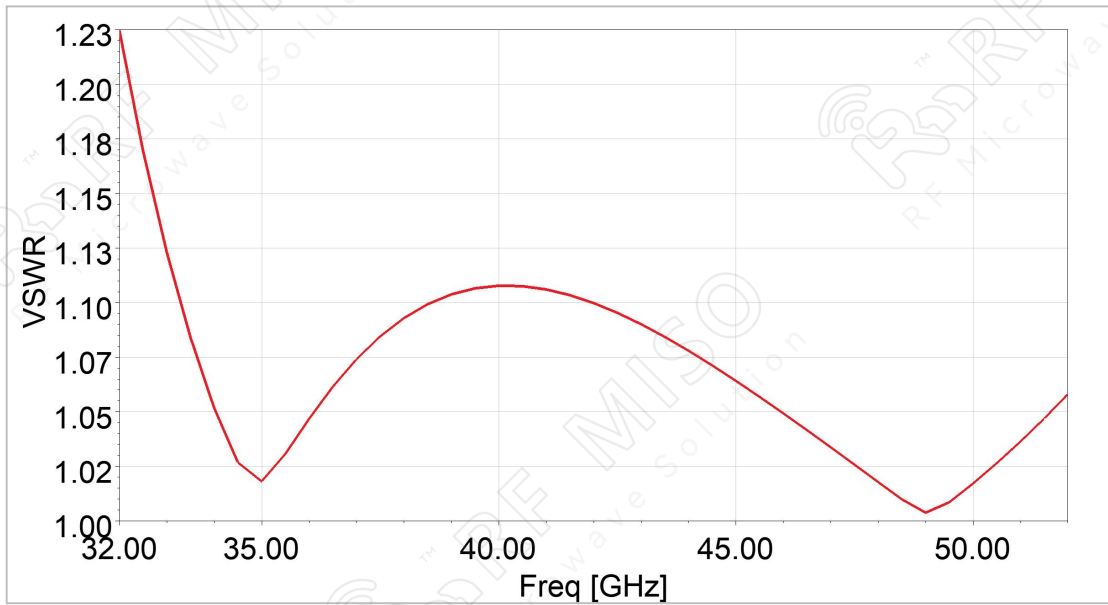
RM-WCA22

Outline Drawing



Simulation Data

VSWR



Return Loss

