

Waveguide to Coaxial Adapter 50-75GHz  
WR15 to 1.0mm-Femle

## Waveguide to Coaxial Adapter Data Sheet

**RM-WCA15**

### Descriptions

The **RM-WCA15** are right angle (90°) waveguide to coaxial adapters that operate the frequency range of 50-75GHz. Precision machining provides superior performance and is commonly used in high-end test and measurement, satellite communication and radar systems.

### Specifications

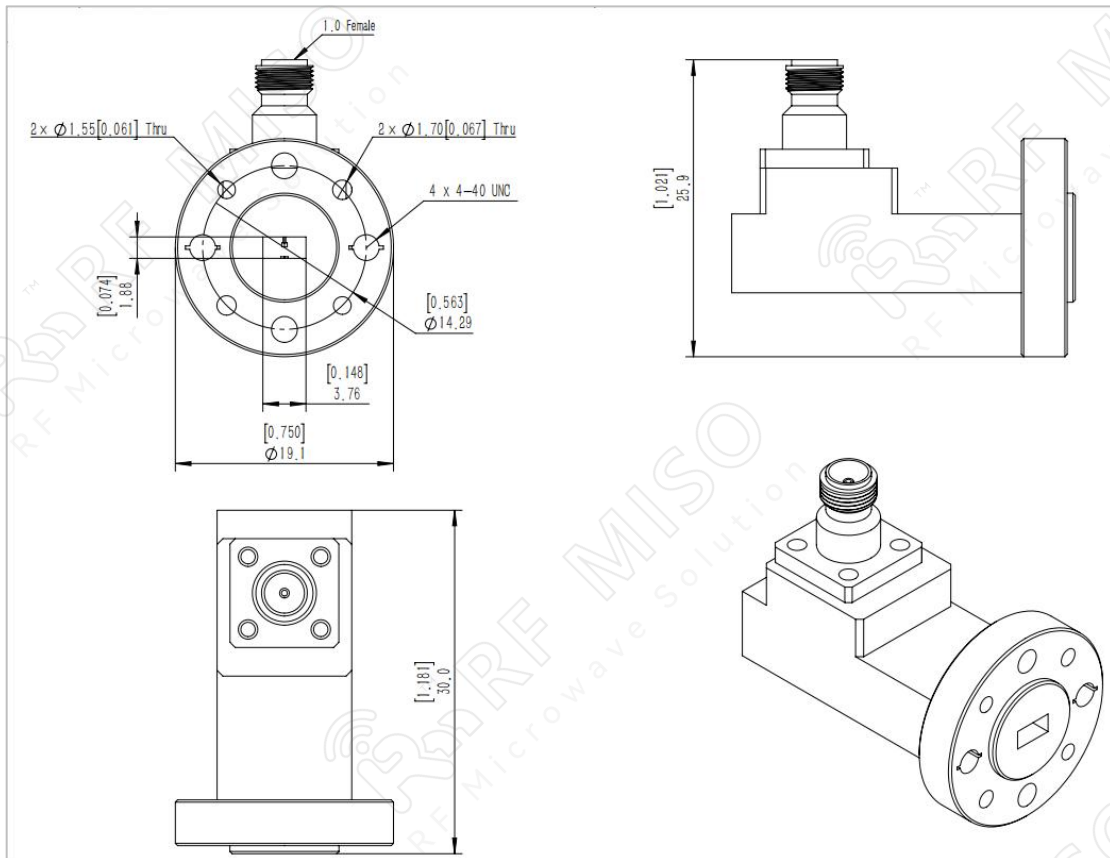
| RM-WCA15              |                    |       |
|-----------------------|--------------------|-------|
| Item                  | Specification      | Units |
| Frequency Range       | 50-75              | GHz   |
| Waveguide             | WR15               | dBi   |
| VSWR                  | 1.2 Typ.           |       |
| Insertion Loss        | 0.8 Typ.           | dB    |
| Flange                | FUGP620(UG-385)    |       |
| Connector             | 1.0mm Female       |       |
| Impedance             | 50                 | Ohm   |
| Material              | Cu                 |       |
| Size (L*W*H)          | 30.0*19.1*25.9(±5) | mm    |
| Net Weight            | 0.030              | Kg    |
| Power Handling (cw)   | 3                  | w     |
| Power Handling (peak) | 0.005              | kw    |
| Operating Temp.       | -55°C - 85°C       | °C    |

Waveguide to Coaxial Adapter 50-75GHz  
WR15 to 1.0mm-Female

**Waveguide to Coaxial Adapter Data Sheet**

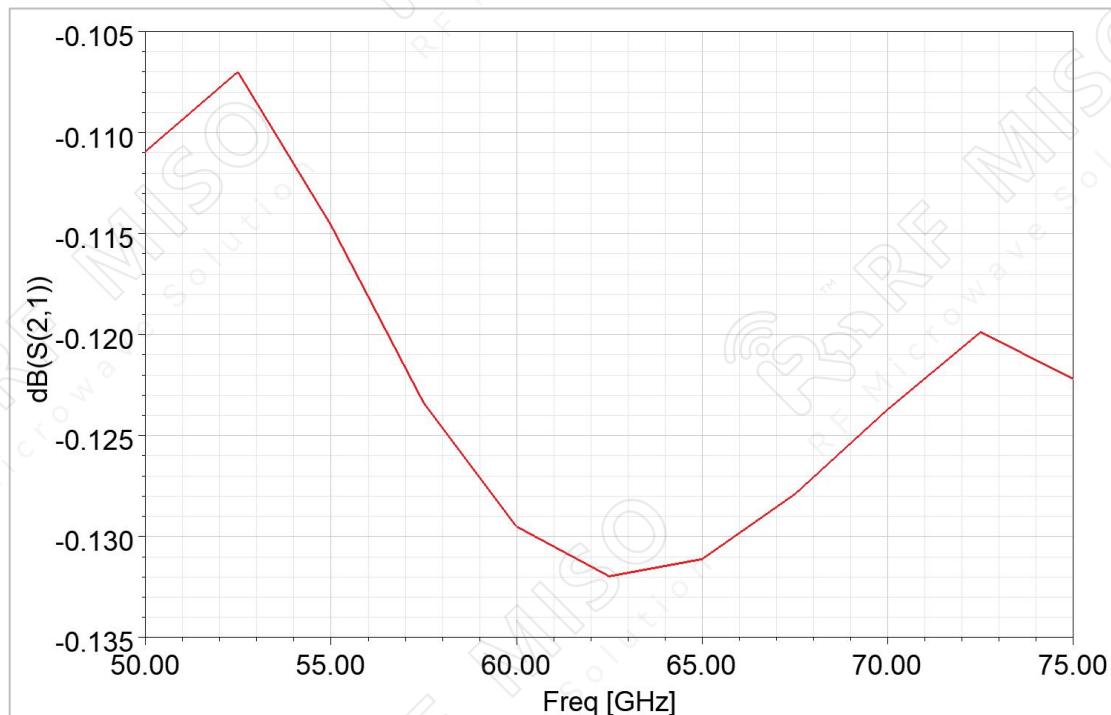
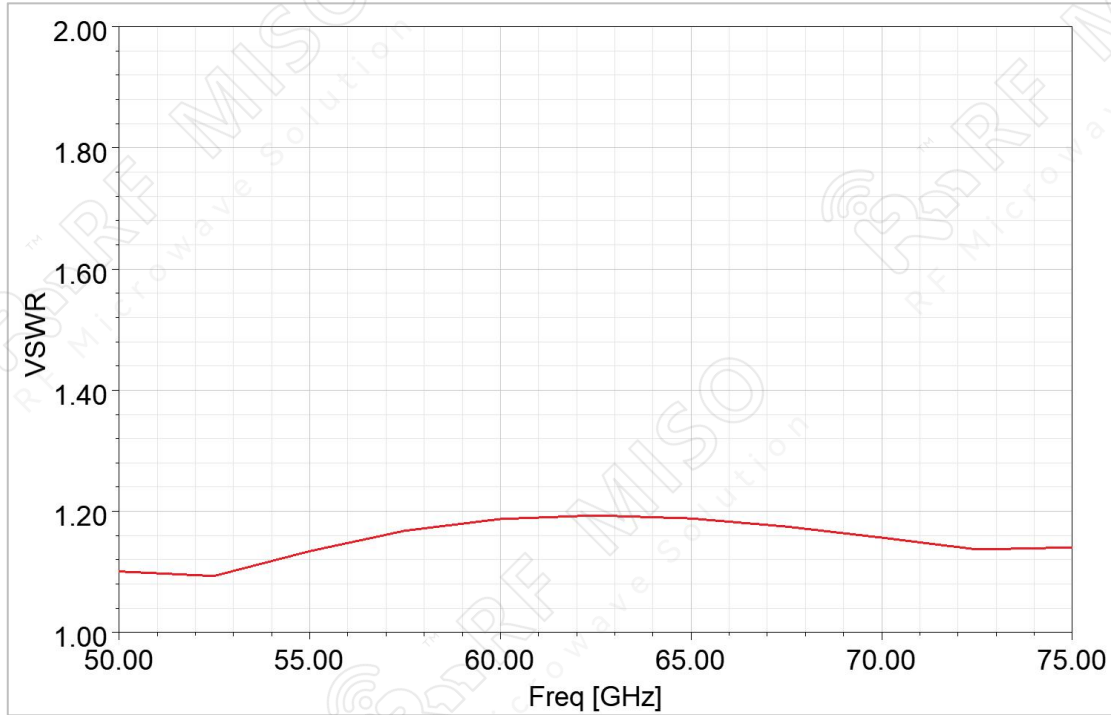
**RM-WCA15**

**Outline Drawing**



**Simulation Data**

VSWR



Waveguide to Coaxial Adapter 50-75GHz  
WR15 to 1.0mm-Femle

**Waveguide to Coaxial Adapter Data Sheet**

**RM-WCA15**

**Flange Outline Drawing**

