

## Waveguide to Coaxial Adapter Data Sheet

## RM-WCA12

### Descriptions

The **RM-WCA12** are right angle (90°) waveguide to coaxial adapters that operate the frequency range of 60-90GHz. They are designed and manufactured for instrumentation grade quality but offered at a commercial grade price, allowing for an efficient transition between the rectangular waveguide and 1.0mm female coaxial connector.

### Specifications

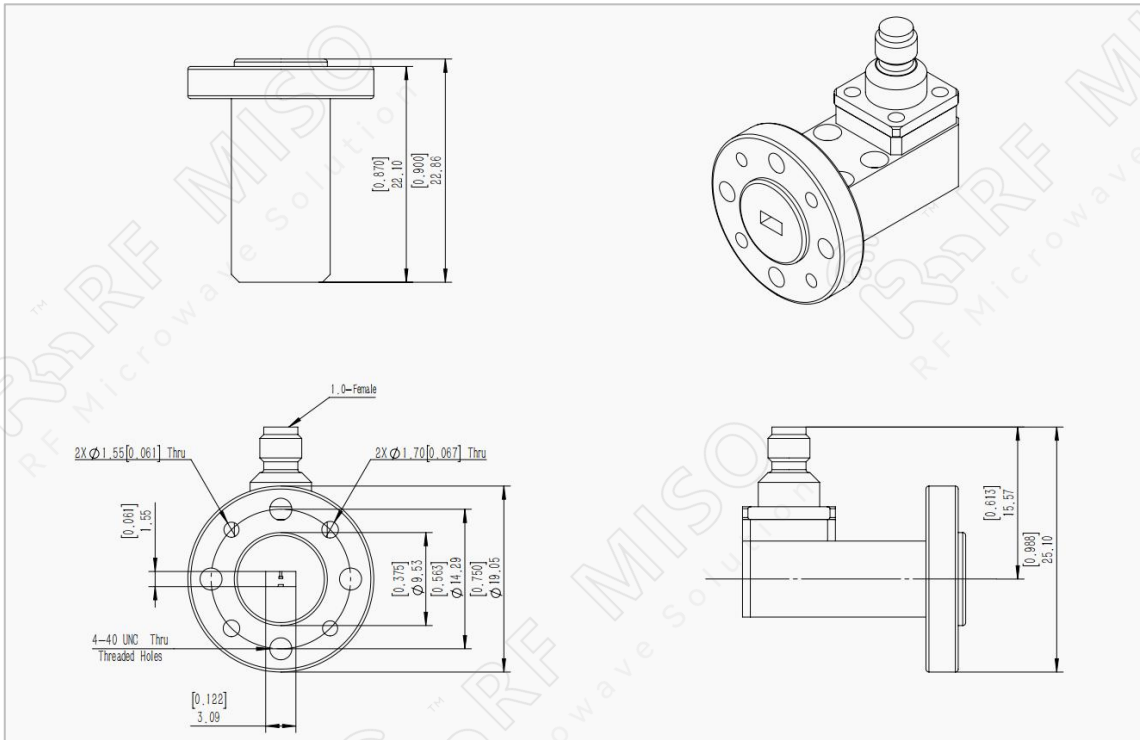
RM-WCA12		
Item	Specification	Units
Frequency Range	60-90	GHz
Waveguide	WR12	dBi
VSWR	1.2 Typ.	
Insertion Loss	0.7 Typ.	dB
Flange	FUGP740(UG-387)	
Connector	1.0mm female	
Impedance	50	Ohm
Material	Cu	
Size (L*W*H)	22.86*19.05*25.1(±5)	mm
Net Weight	0.003	Kg
Power Handling (cw)	3	w
Power Handling (peak)	0.005	kw
Operating Temp.	-55°C - 85°C	°C

Waveguide to Coaxial Adapter  
60-90GHz, WR10 to 1.0mm-Female

## Waveguide to Coaxial Adapter Data Sheet

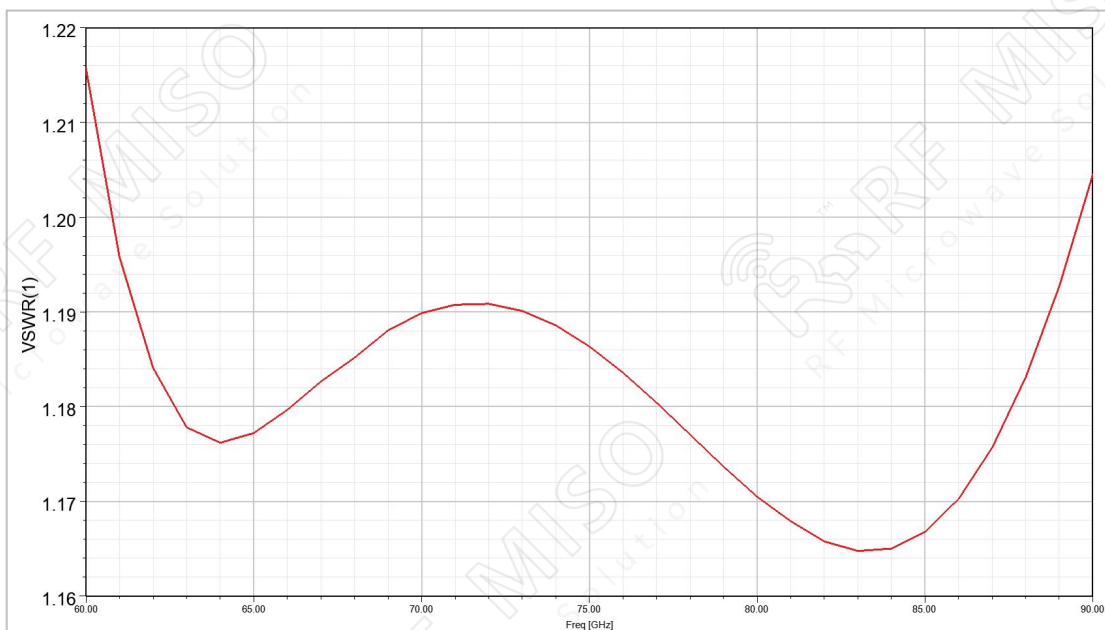
**RM-WCA12**

### Outline Drawing



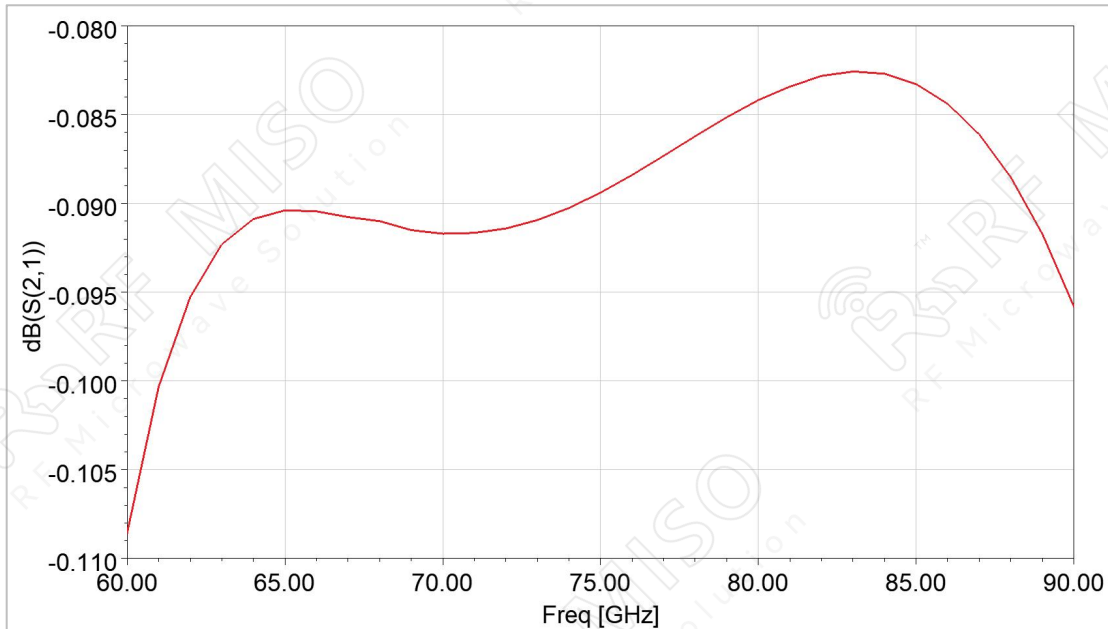
### Simulation Data

VSWR



**Waveguide to Coaxial Adapter Data Sheet**

**RM-WCA12**



**Flange Outline Drawing**

