



Waveguide to Coaxial Adapter 75-110GHz  
WR10 to 1.0mm-Female

## Waveguide to Coaxial Adapter Data Sheet

## RM-WCA10

### Descriptions

The **RM-WCA10** are right angle (90°) waveguide to coaxial adapters that operate the frequency range of 75-110GHz. Precision machining provides superior performance and is commonly used in high-end test and measurement, satellite communication and radar systems.

### Specifications

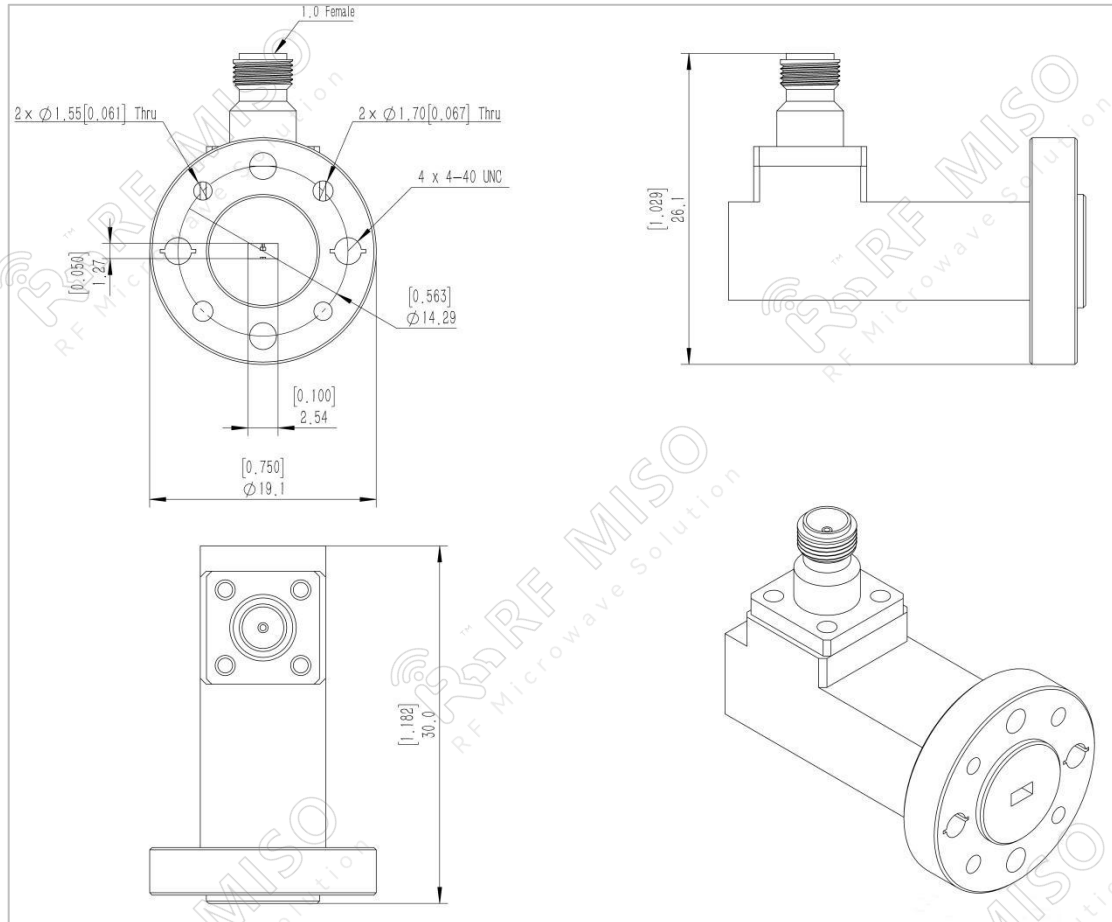
RM-WCA10		
Item	Specification	Units
Frequency Range	75-110	GHz
Waveguide	WR10	dBi
VSWR	1.2 Typ.	
Insertion Loss	0.8 Typ.	dB
Flange	FUGP900(UG-387)	
Connector	1.0mm Female	
Impedance	50	Ohm
Material	Cu	
Size (L*W*H)	30.0*19.1*26.1(±5)	mm
Net Weight	0.03	Kg
Power Handling (cw)	3	w
Power Handling (peak)	0.005	kw
Operating Temp.	-55°C - 85°C	°C



**Waveguide to Coaxial Adapter Data Sheet**

**RM-WCA10**

**Outline Drawing**

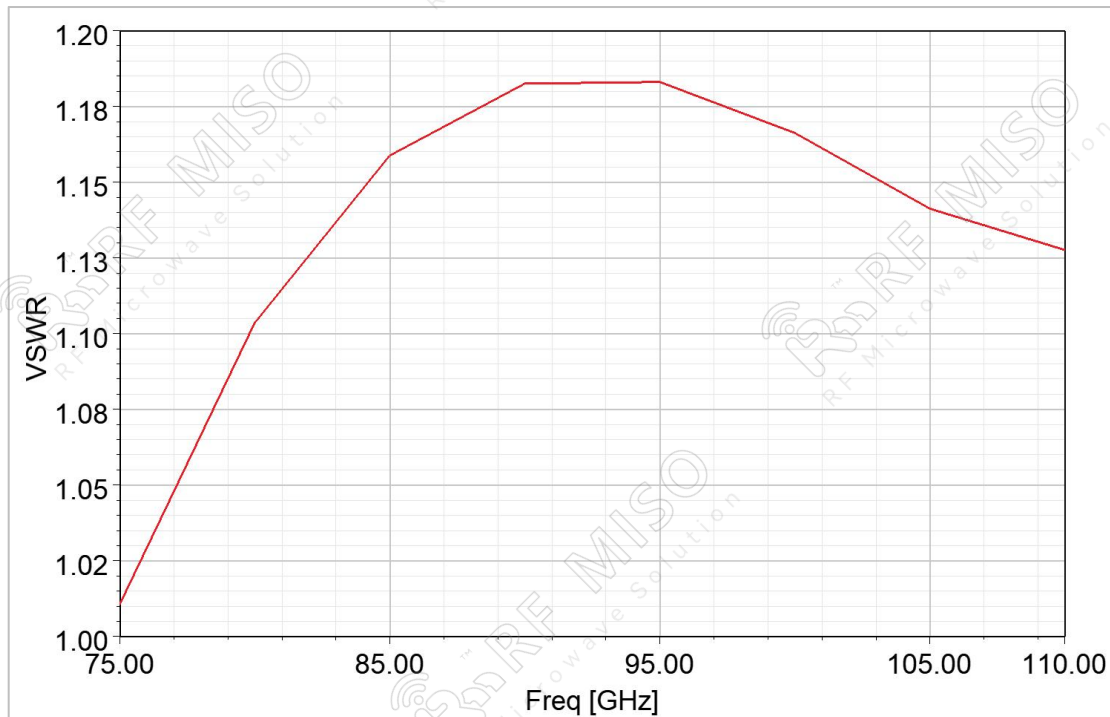




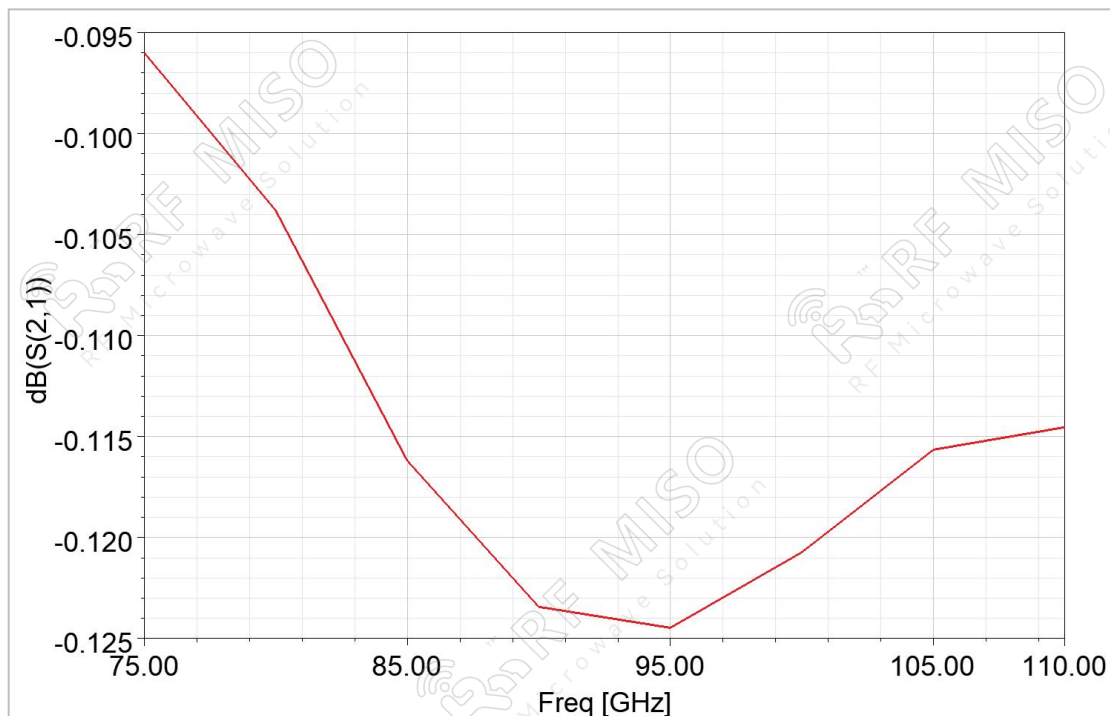
**Waveguide to Coaxial Adapter Data Sheet**

**RM-WCA10**

**Simulation Data**



VSWR





**Waveguide to Coaxial Adapter Data Sheet**

**RM-WCA10**

**Flange Outline Drawing**

