



## Trihedral Corner Reflector Data

**RM-TCR44**

### Features

- Ideal for RCS measurement
- High fault tolerance
- Indoor and outdoor application

### Descriptions

RF MISO's **Model RM-TCR44** is a trihedral corner reflector, which has a robust aluminum construction that can be used to reflect radio waves directly and passively back to the transmitting source and is highly fault-tolerant. The retroreflection of the reflectors is specially designed to have high smoothness and finish in the reflection cavity, which can be widely used for RCS measurement and other applications.

### Specifications

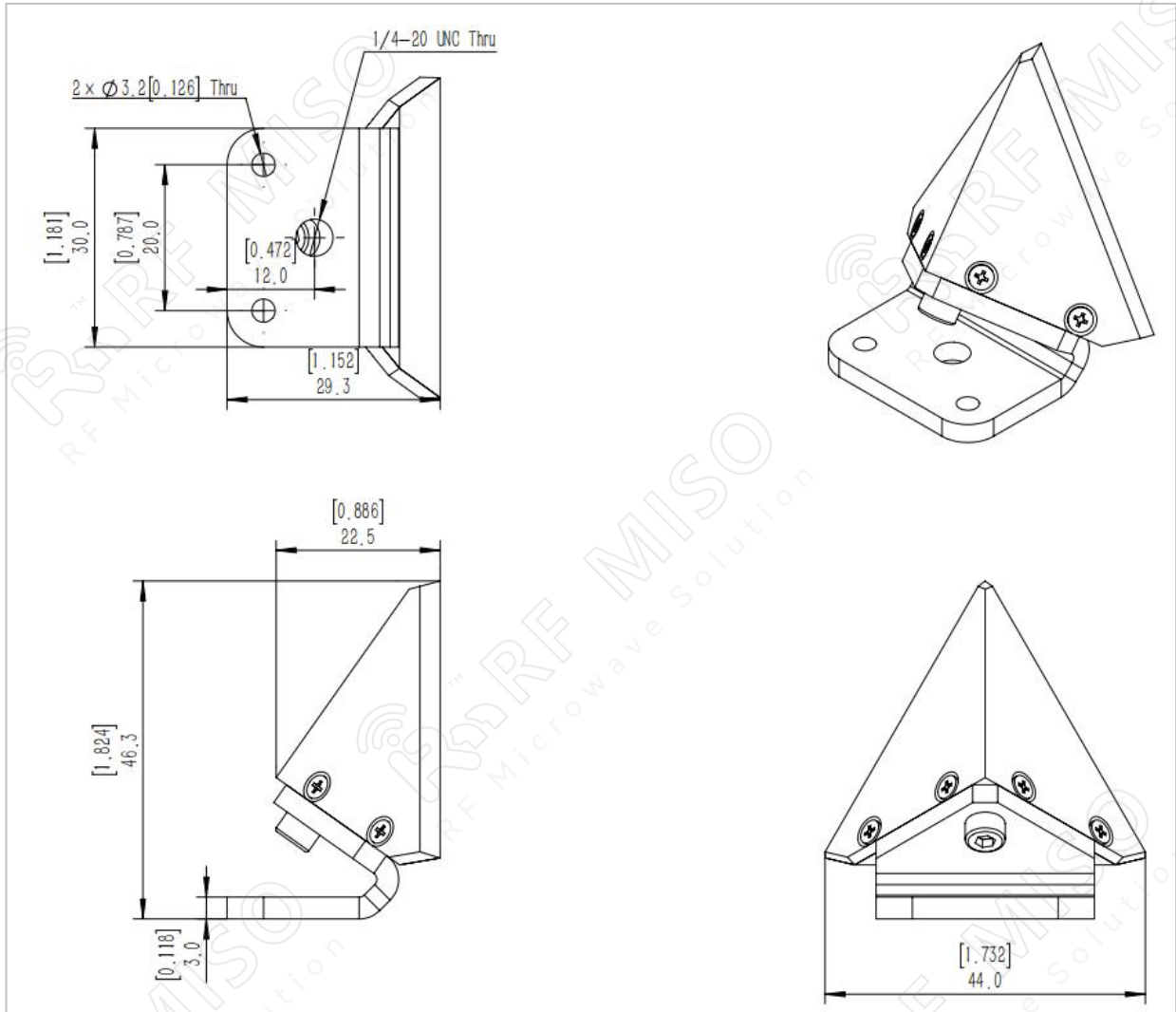
RM-TCR44		
Parameters	Specifications	Units
Edge Length	44	mm
Finishing	Painted Black	
Weight	0.02	Kg
Material	Al	



**Trihedral Corner Reflector Data**

**RM-TCR44**

Outline Drawing

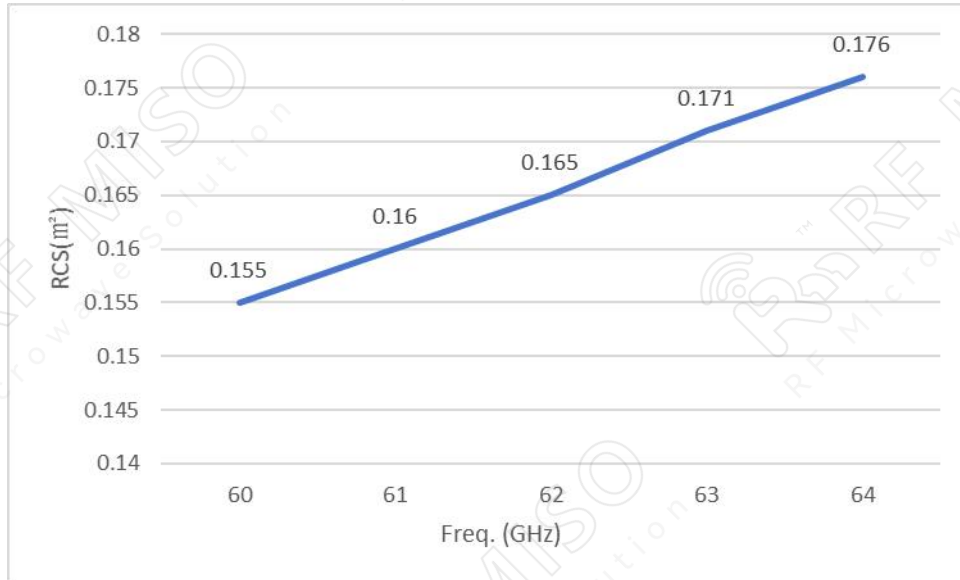




**Trihedral Corner Reflector Data**

**RM-TCR44**

Calculate Radar Cross Section



Frequency (GHz)	Wavelength (mm)	RCS (m <sup>2</sup> )	RCS(dBsm)
60	5	0.155	-8.1
61	4.92	0.16	-7.96
62	4.84	0.165	-7.81
63	4.76	0.171	-7.67
64	4.69	0.176	-7.54