



Standard Gain Horn Antenna  
25dBi Typ. Gain, 220-325 GHz Frequency Range

## Dual Polarized Horn Antenna Data Sheet

## RM-SGHA3-25

### Features

- Full Band Performance
- Linear Polarization
- High Isolation
- Precisely Machined and Gold Plated

### Description

The **RM-SGHA3-25** is a full-band, linear-polarized horn antenna assembly that operates in the frequency range of 220 to 325 GHz. The antenna offers a typical gain of 25 dBi and low VSWR 1.05:1. The input to the antenna is a WR-3 waveguide.

### Specifications

RM-SGHA3-25		
Item	Specification	Units
Frequency Range	220-325	GHz
Gain	25 Typ.	dBi
VSWR	1.05:1 Typ.	
Polarization	Linear	
Cross Polarization	50	dB
Size	21.76*19.1*19.1	mm
Weight	0.009	Kg
Material and Finish	Cu, Gold	
Waveguide Size	WR-3	

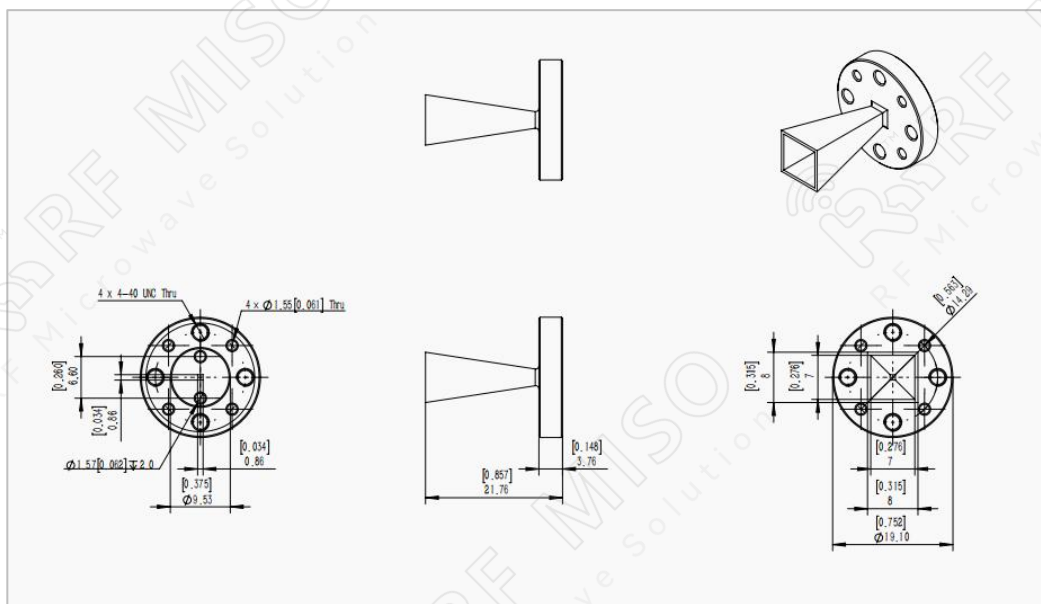
Standard Gain Horn Antenna  
25dBi Typ. Gain, 220-325 GHz Frequency Range



**Dual Polarized Horn Antenna Data Sheet**

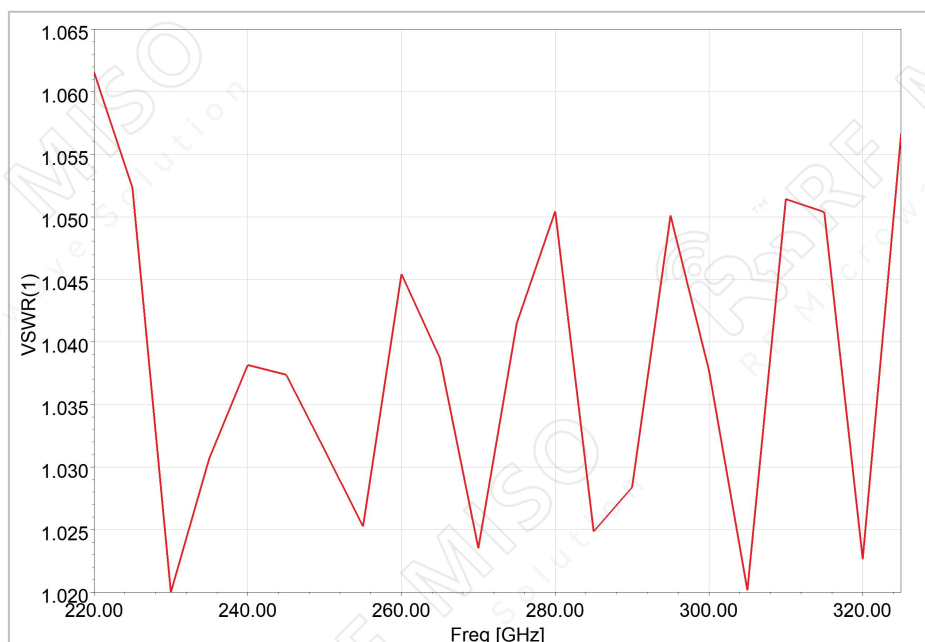
**RM-SGHA3-25**

**Outline Drawing**



**Simulated Result**

VSWR



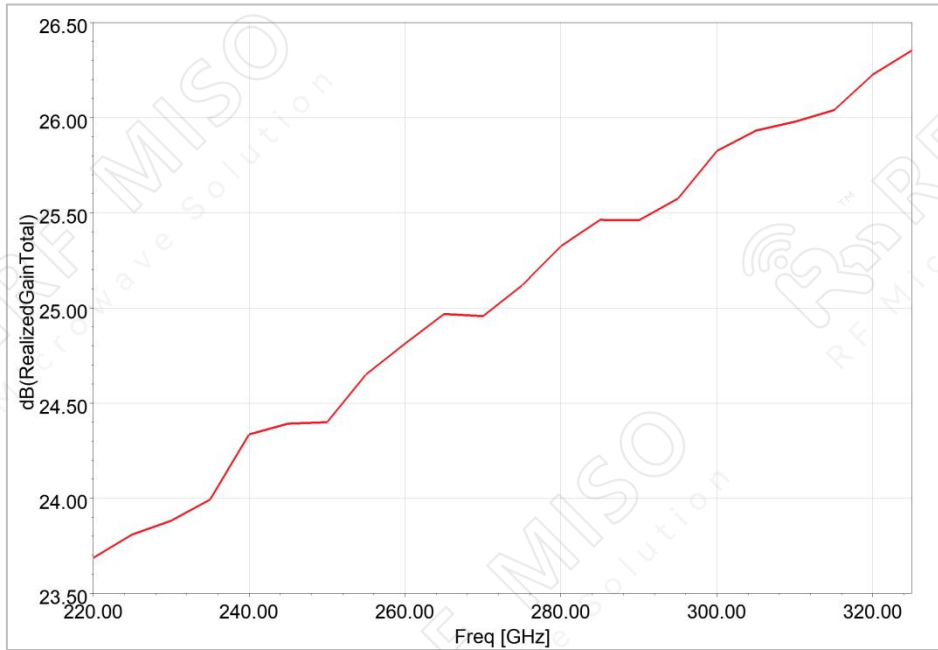


Standard Gain Horn Antenna  
25dBi Typ. Gain, 220-325 GHz Frequency Range

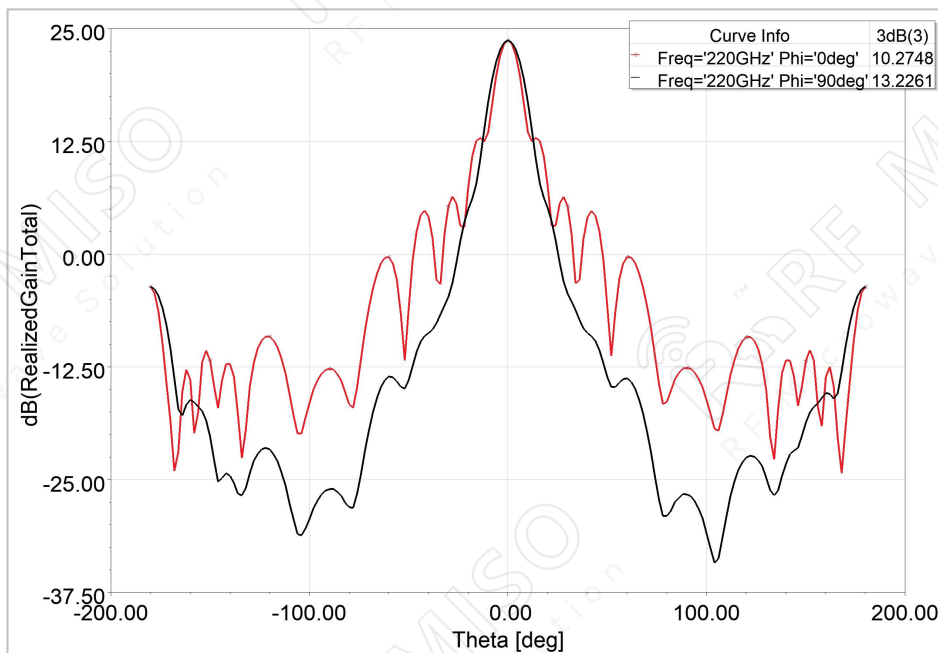
**Dual Polarized Horn Antenna Data Sheet**

**RM-SGHA3-25**

Gain



Gain Pattern



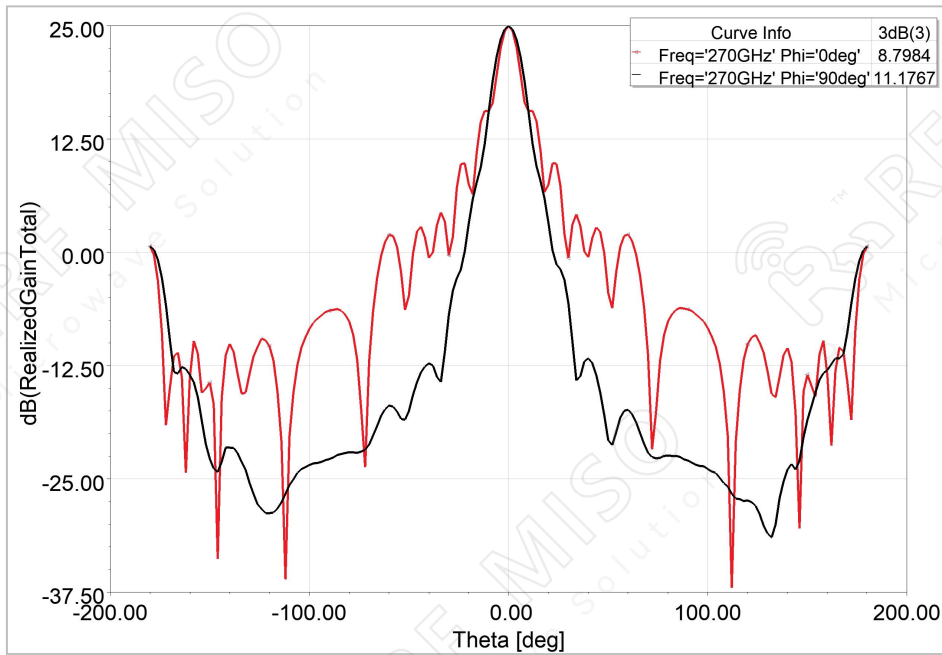
220 GHz



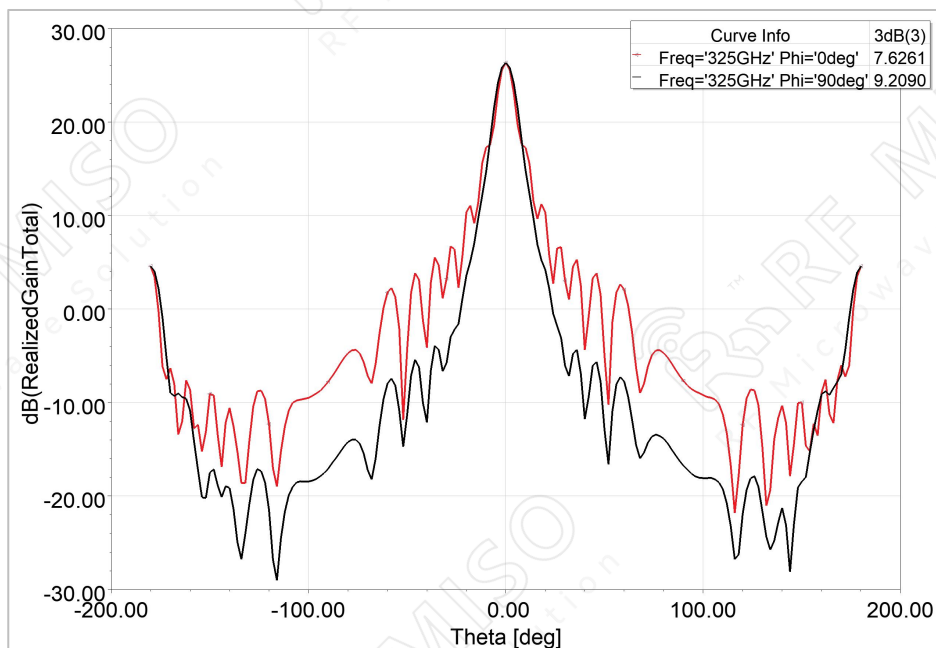
Standard Gain Horn Antenna  
25dBi Typ. Gain, 220-325 GHz Frequency Range

**Dual Polarized Horn Antenna Data Sheet**

**RM-SGHA3-25**



270 GHz



325 GHz