

Planar Spiral Antenna
3 dBi Typ. Gain, 0.4-6 GHz Frequency Range

Planar Spiral Antenna Data Sheet

RM-PSA046-3R

Features

- Ideal for airborne or ground applications
- Low VSWR
- R-H Circular Polarization
- With Radome

Descriptions

RF MISO's **Model RM-PSA046-3R** is a RHCP planar spiral antenna that operates from 0.4-6GHz. The antenna offers a gain 3 dBi Typ. and low VSWR 1.5 Typ. with N-Female connector. It designed for EMC, reconnaissance, orientation, remote sensing, and flush mounted vehicle applications. These spiral antennas can be used as separate antenna components or as feeders for reflector satellite antennas.

Specifications

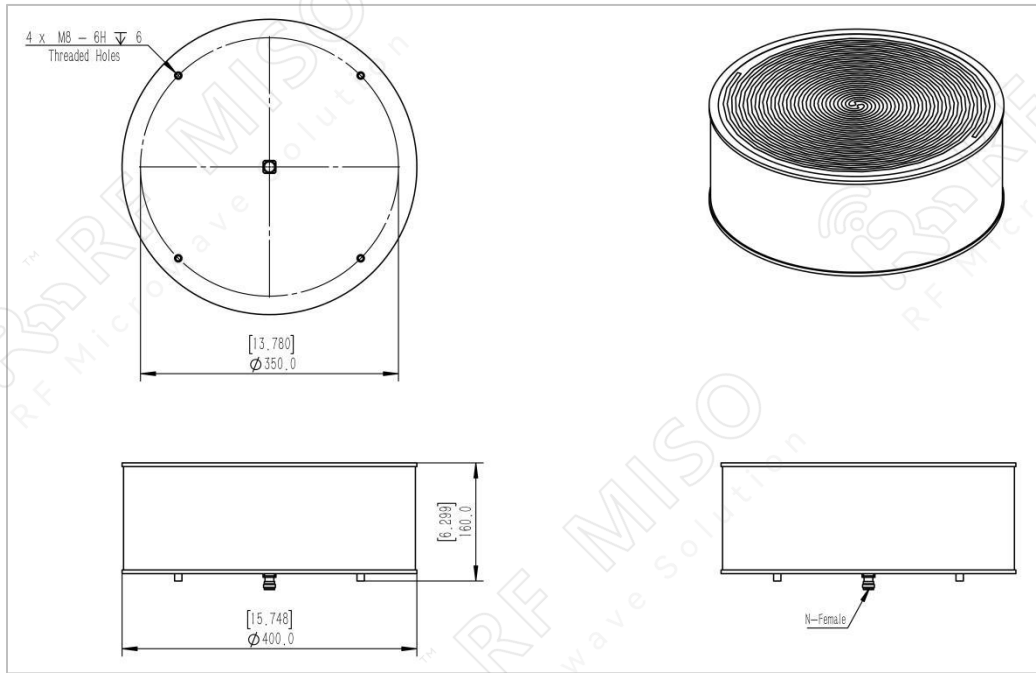
RM-PSA046-3R			
Parameters	Typical		Units
Frequency Range	0.4-6		GHz
Gain	3 Typ.		dBi
VSWR	1.5 Typ.		
AR	<2		
3dB Beamwidth	58.90~103.38		°
Polarization	R-H Circular Polarization		
Connector	N-Female		
Material	Al		
Finishing	Paint Black		
Size(L*W*H)	Ø400.0*160.0(±5)		mm
Weight	4.683		kg
Power Handling	CW:10	Peak:300	W
Antenna Cover	Yes		
Waterproof	Yes		

Planar Spiral Antenna
3 dBi Typ. Gain, 0.4-6 GHz Frequency Range

Planar Spiral Antenna Data Sheet

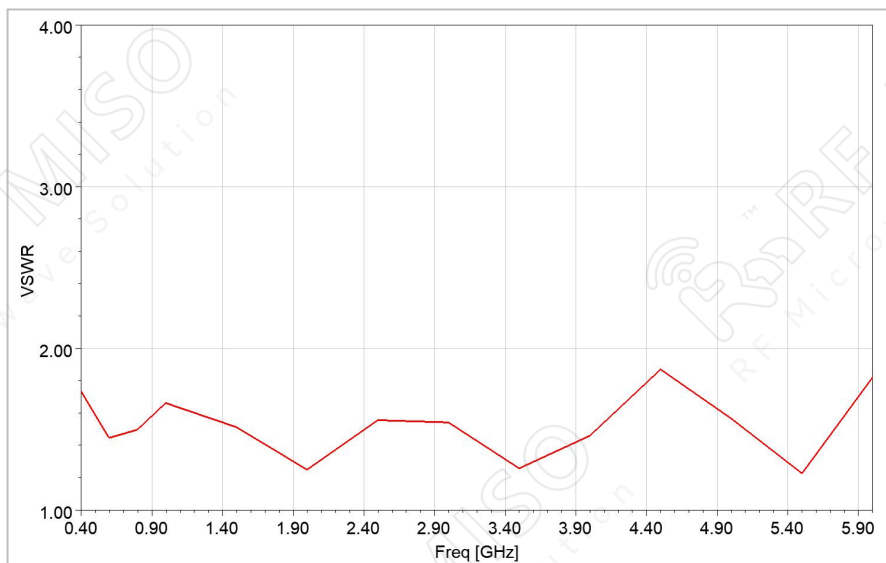
RM-PSA046-3R

Outline Drawing



Simulation Data

VSWR

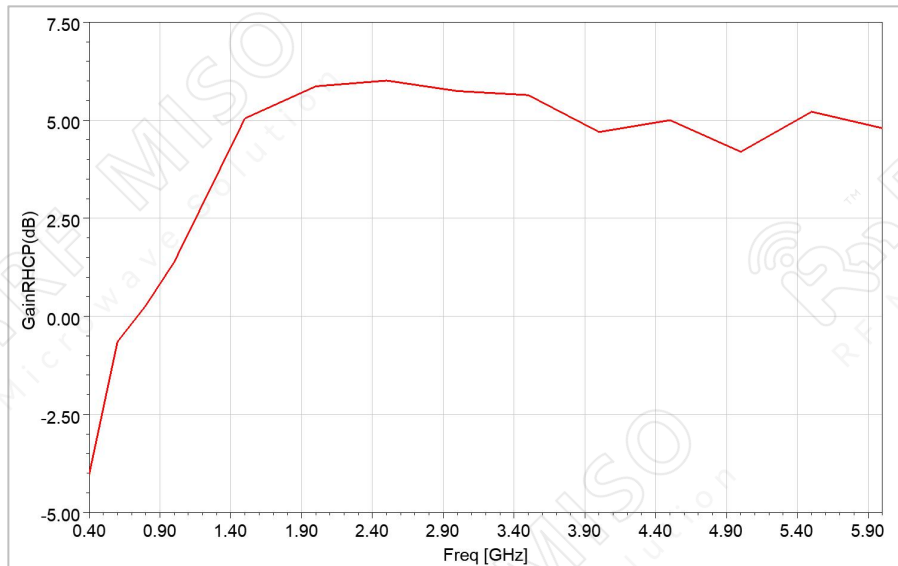


Planar Spiral Antenna
3 dBi Typ. Gain, 0.4-6 GHz Frequency Range

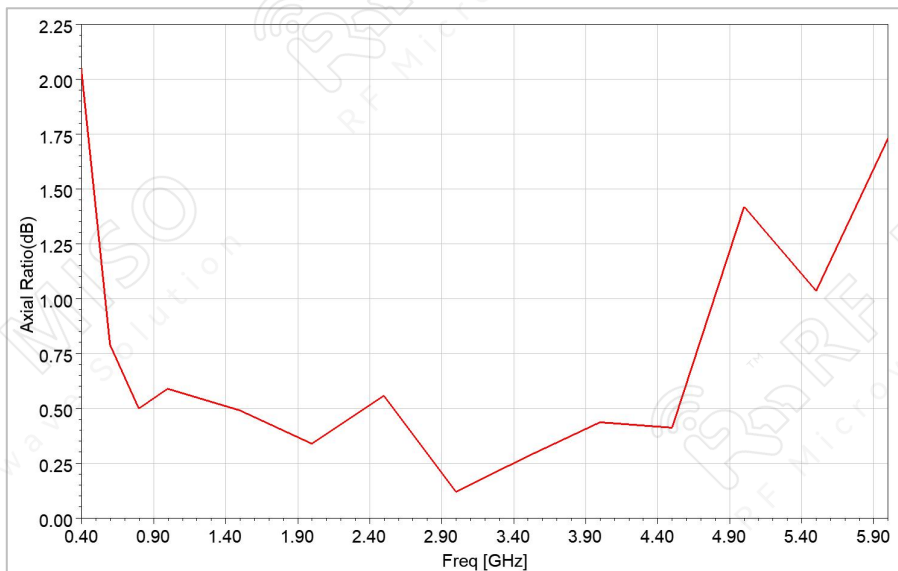
Planar Spiral Antenna Data Sheet

RM-PSA046-3R

Gain



AR



Planar Spiral Antenna
3 dBi Typ. Gain, 0.4-6 GHz Frequency Range

Planar Spiral Antenna Data Sheet

RM-PSA046-3R

Pattern

