

Lens Horn Antenna
30dBi Typ. Gain, 38-40GHz Frequency Range

RM-LHA28-30

Lens Horn Antenna Data

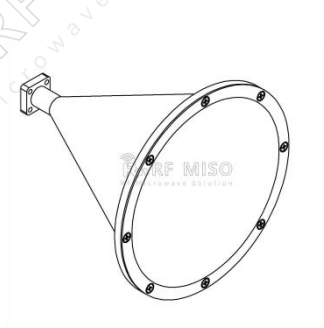
Description

lens horn antenna RM-LHA28-30 is a linear polarization, operating from 38 to 40GHz with a 30dB Typ. gain and low VSWR 1.3:1 with rectangular waveguide WR28 output. The antenna is ideally suited for antenna measurement, material measurement, system intergration and other applications.

Specifications

RM-LHA28-30		
Parameters	Typical	Units
Frequency Range	38-40	GHz
Gain	30 Typ.	dBi
VSWR	1.3 Typ.	
Polarization	Linear-polarized	
Waveguide Size	WR28	
Body Material	Al	
Size(L*W*H)	156*Ø136	mm
Weight	0.388	kg

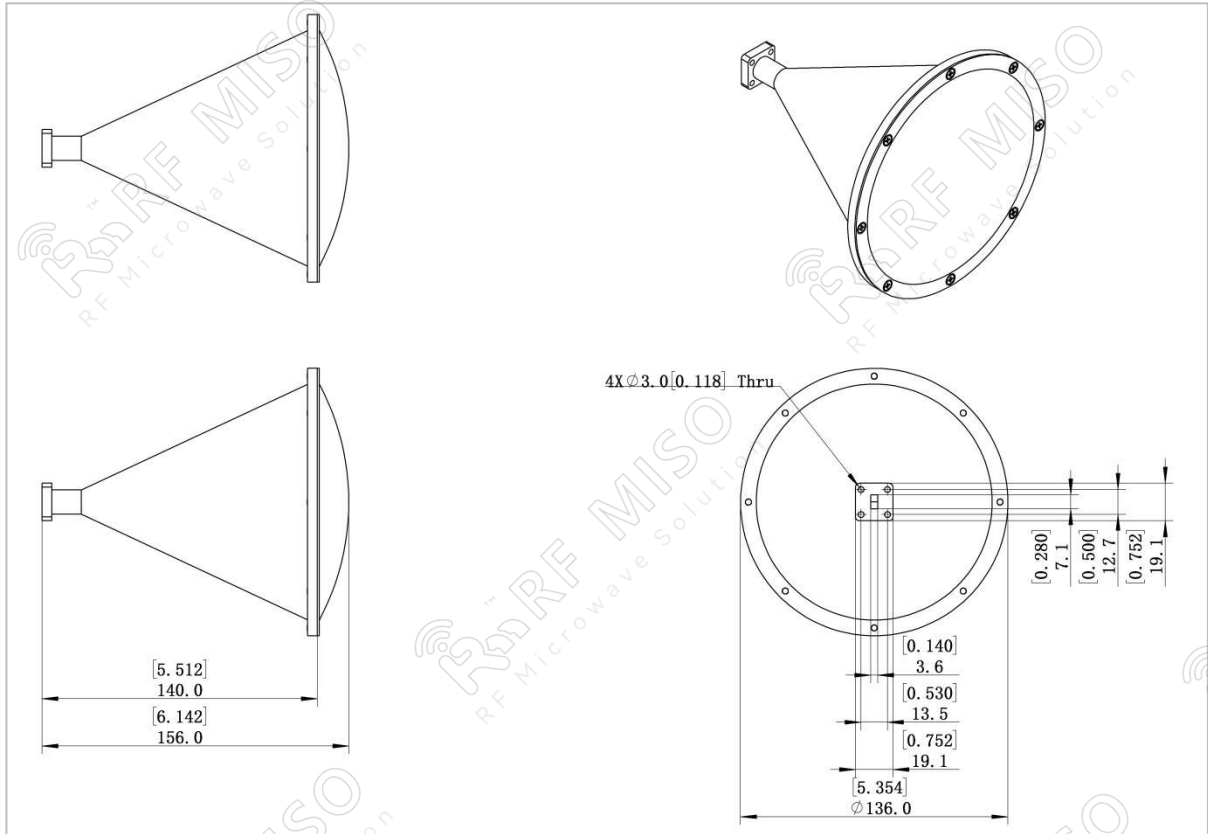
Lens Horn Antenna
30dBi Typ. Gain, 38-40GHz Frequency Range

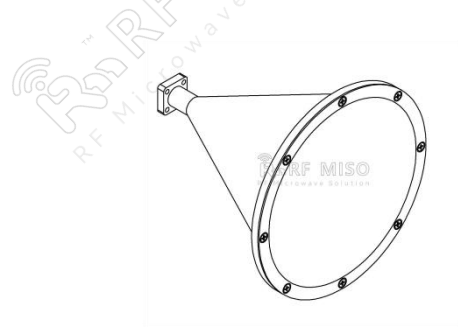


RM-LHA28-30

Lens Horn Antenna Data

Outline Drawing





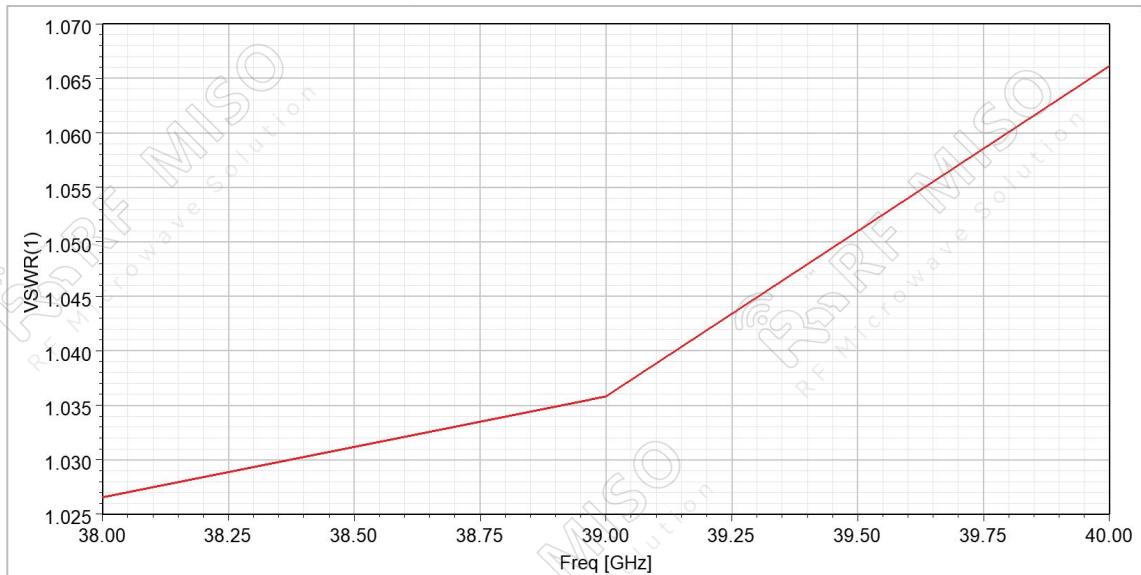
Lens Horn Antenna
30dBi Typ. Gain, 38-40GHz Frequency Range

RM-LHA28-30

Lens Horn Antenna Data

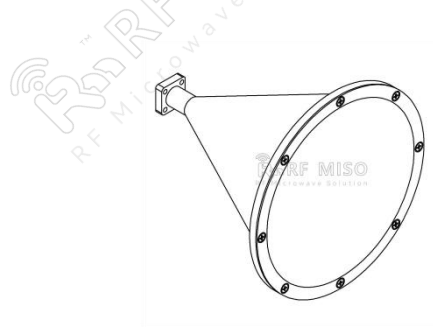
Simulation Data

VSWR



Return Loss



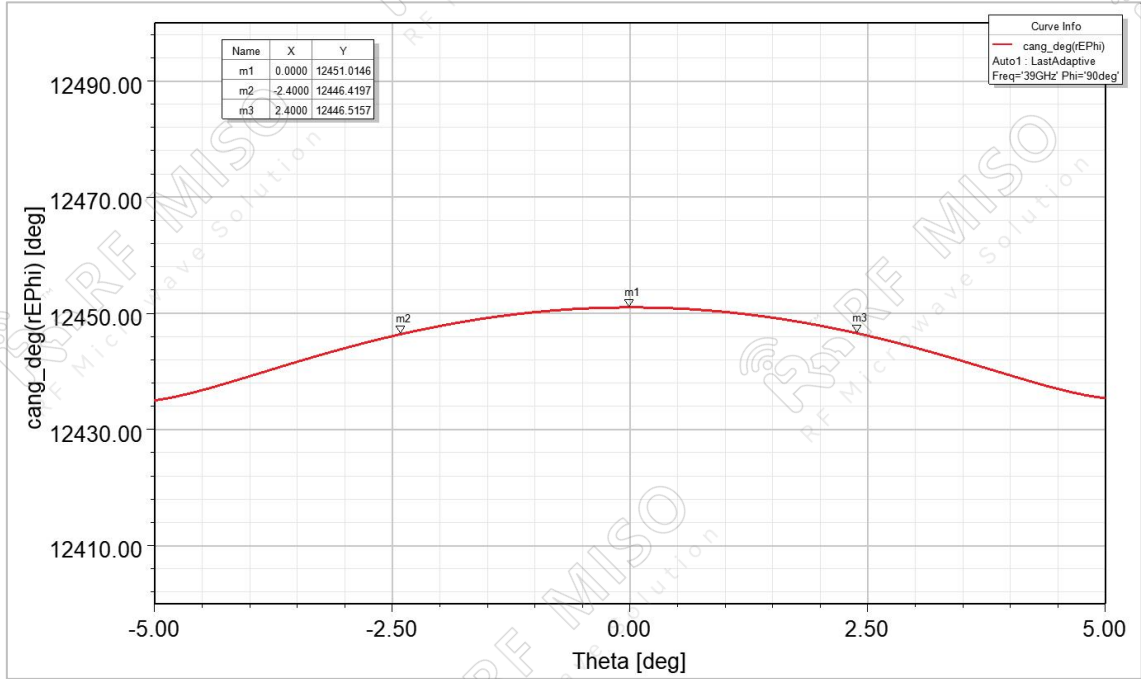


Lens Horn Antenna
30dBi Typ. Gain, 38-40GHz Frequency Range

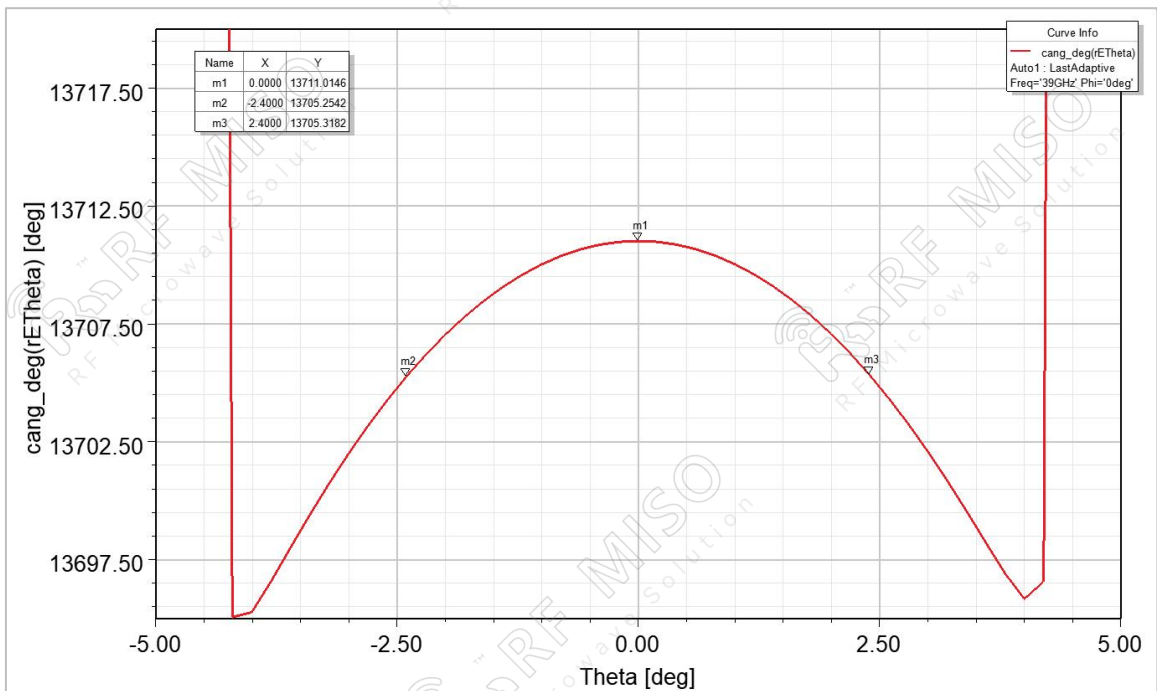
RM-LHA28-30

Lens Horn Antenna Data

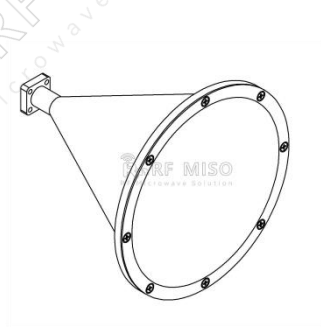
Phase_E Plane



Phase_H Plane



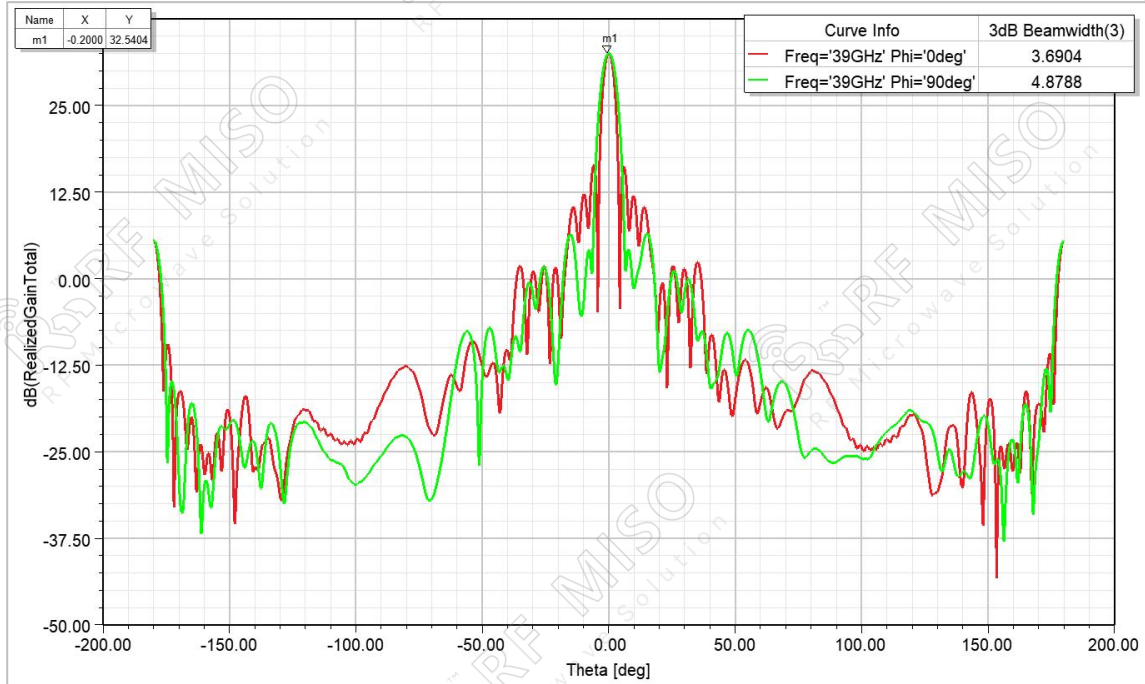
Lens Horn Antenna
30dBi Typ. Gain, 38-40GHz Frequency Range



RM-LHA28-30

Lens Horn Antenna Data

Pattern



39 GHz