

*End Launch Waveguide to Coaxial Adapter
33-50GHz Frequency Range*

End Launch Waveguide to Coaxial Adapter Date Sheet

RM-EWCA22

Features

- Full Waveguide Band Performance
- Low Insertion Loss and VSWR
- Test Lab
- Instrumentation

Descriptions

The **RM-EWCA22** are end launch waveguide to coaxial adapters that operate the frequency range of 33-50GHz. They are designed and manufactured for instrumentation grade quality but offered at a commercial grade price, allowing for an efficient transition between the rectangular waveguide and 2.4mm female coaxial connector.

Specifications

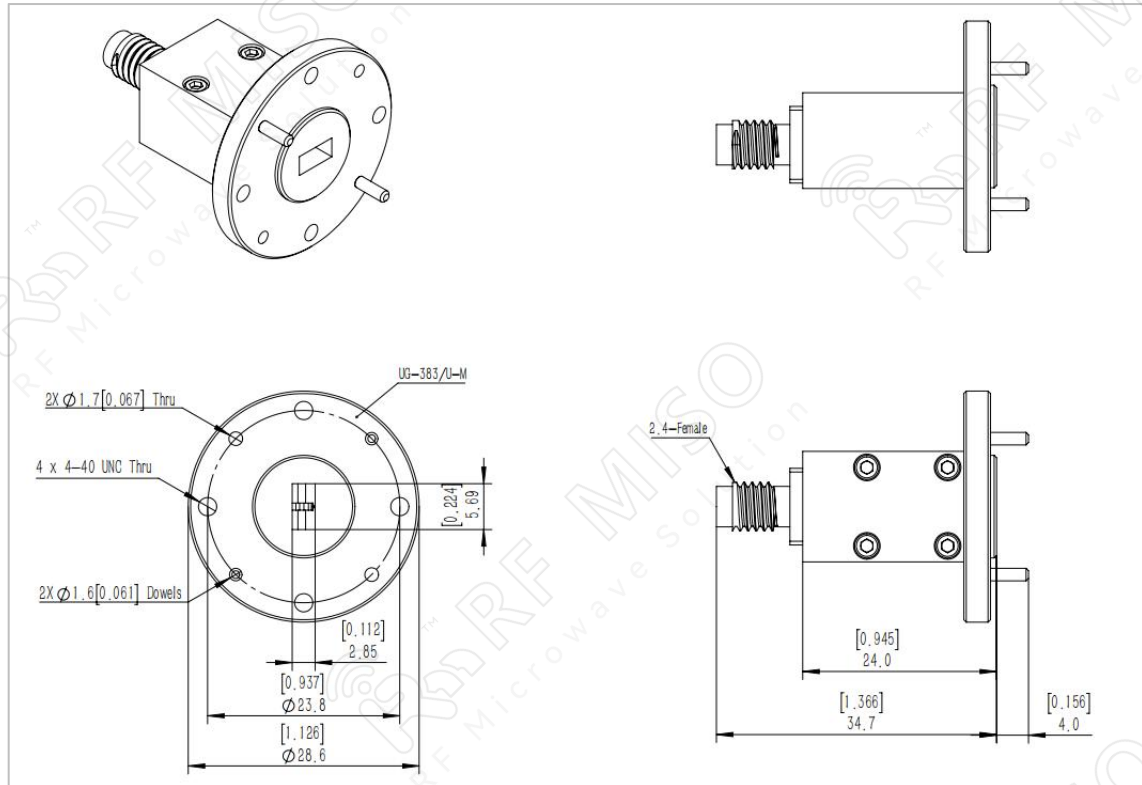
RM-EWCA22			
Item	Specification		Units
Frequency Range	33-50		GHz
Waveguide	WR22		dBi
VSWR	1.5 Max		
Insertion Loss	0.5 Max		dB
Return Loss	20 Typ.		dB
Flange	UG383/U-M		
Connector	2.4mm-Female	2.4mm-Male	
Peak Power	0.02		kW
Material	Al		
Size(L*W*H)	38.7*Ø28.6(±5)	40.6*Ø28.6(±5)	mm
Net Weight	0.014		Kg

End Launch Waveguide to Coaxial Adapter
33-50GHz Frequency Range

End Launch Waveguide to Coaxial Adapter Date Sheet

RM-EWCA22

Outline Drawing with 2.4-Female_P/N: RM-EWCA22F

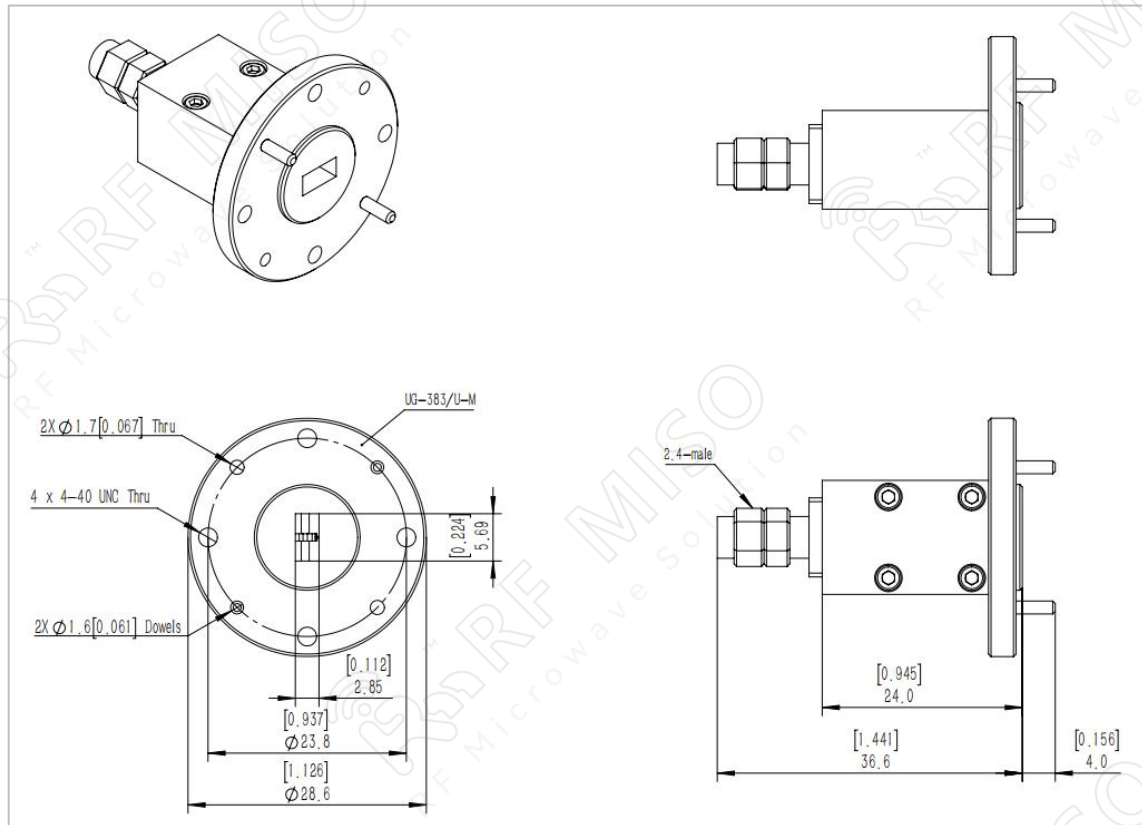


End Launch Waveguide to Coaxial Adapter
33-50GHz Frequency Range

End Launch Waveguide to Coaxial Adapter Date Sheet

RM-EWCA22

Outline Drawing with 2.4mm-Male_P/N: RM-EWCA22M



*End Launch Waveguide to Coaxial Adapter
33-50GHz Frequency Range*

End Launch Waveguide to Coaxial Adapter Date Sheet

RM-EWCA22

Simulation Data

