



Dual Polarized Horn Antenna
16dBi Typ. Gain, 60GHz-90GHz Frequency Range

Dual Polarized Horn Antenna Data Sheet

RM-DPHA6090-16

Features

- Full E Band Performance
- Dual Polarization
- High Port Isolation
- Precisely Machined and Gold Plated

Description

The **RM-DPHA6090-16** is a full-band, dual-polarized, WR-12 horn antenna assembly that operates in the frequency range of 60 to 90GHz. The antenna features an integrated orthogonal mode converter that provides high port isolation. The RM-DPHA6090-16 supports vertical and horizontal waveguide orientations and has a typical 35 dB cross-polarization isolation, a nominal gain of 16 dBi at the center frequency, a typical 3db beamwidth of 28 degrees in the E-plane, a typical 3db beamwidth of 33 degrees in the H-plane. The input to the antenna is a WR-12 waveguide with a UG-387/U-M threaded flange.

Specifications

RM-DPHA6090-16			
Item	Specification		Units
Frequency Range	60-90		GHz
Gain	16 Typ.		dBi
VSWR	1.3:1 Typ.		
Polarization	Dual		
3dB Beam Width E Plane	28 Typ.		Degrees
3dB Beam Width H Plane	33 Typ.		Degrees
Port Isolation	45 Typ.		dB
Waveguide Size	WR-12		
Flange Designation	UG-387/U		
C Type, Size(L*W*H)	51.7*20*34.5		mm
Weight	F Type: 0.076	C Type: 0.093	Kg
Body Material and Finish	Cu, Gold		

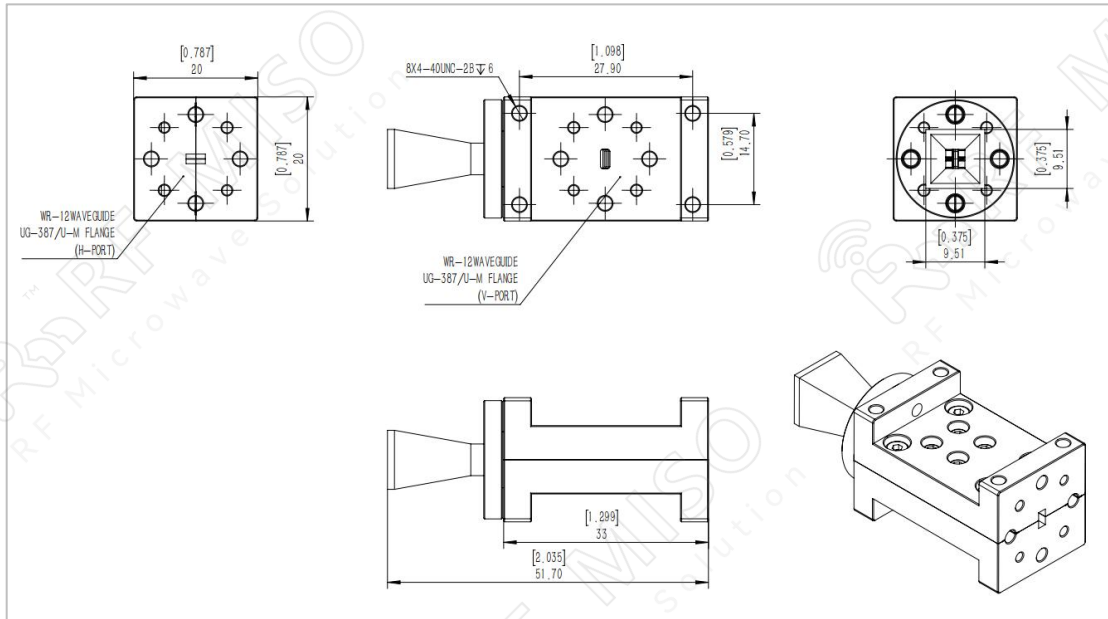


Dual Polarized Horn Antenna
16dBi Typ.Gain, 60GHz-90GHz Frequency Range

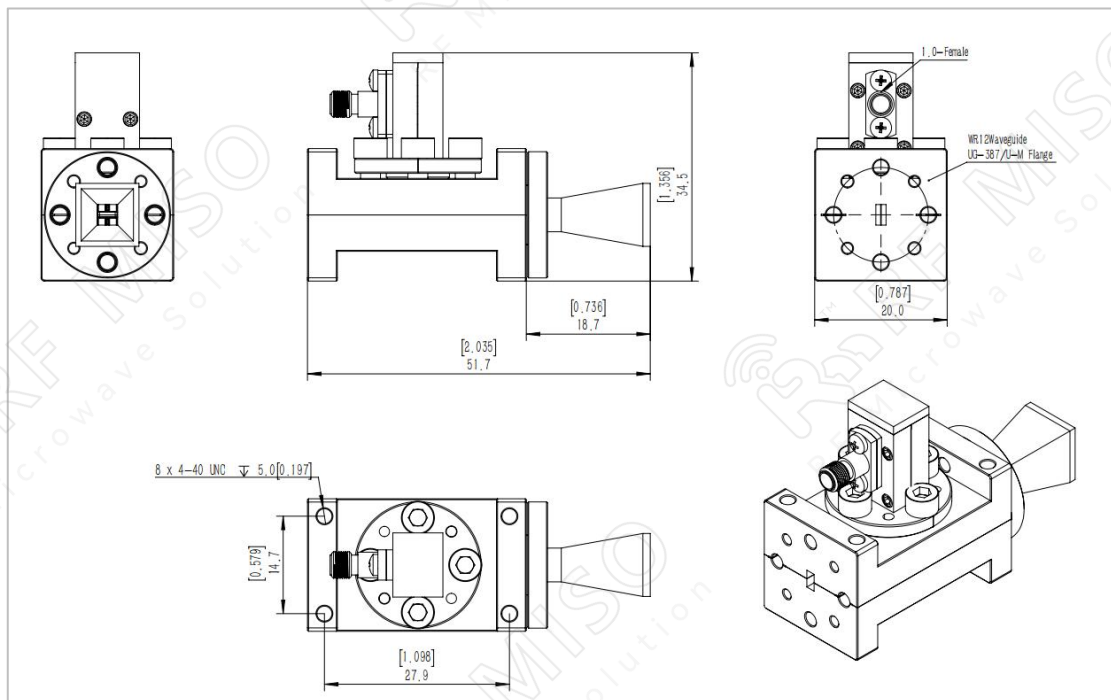
Dual Polarized Horn Antenna Data Sheet

RM-DPHA6090-16

Outline Drawing (P/N: RM-DPHA6090-16F)



Outline Drawing (P/N: RM-DPHA6090-16C)



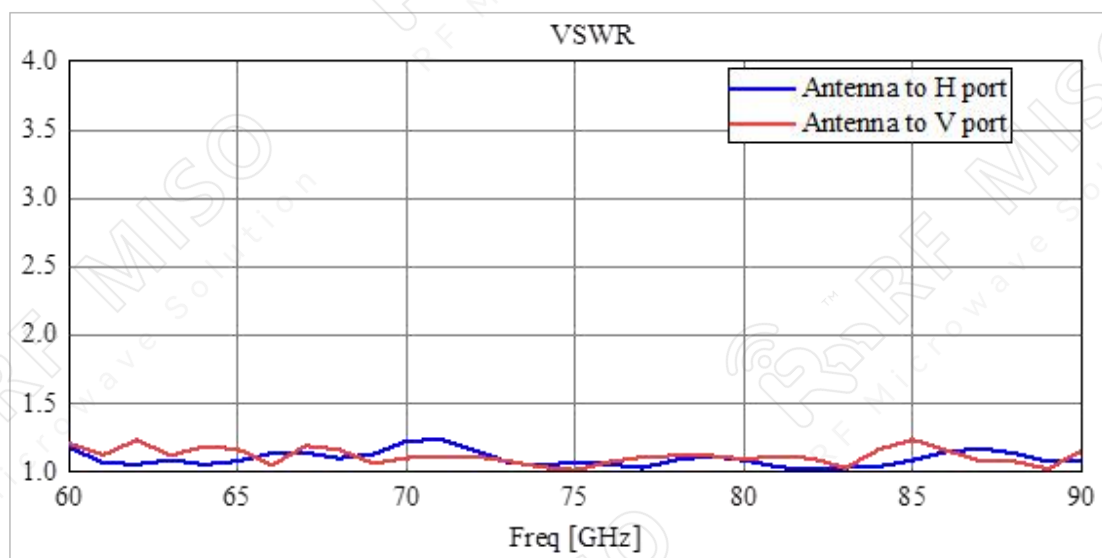
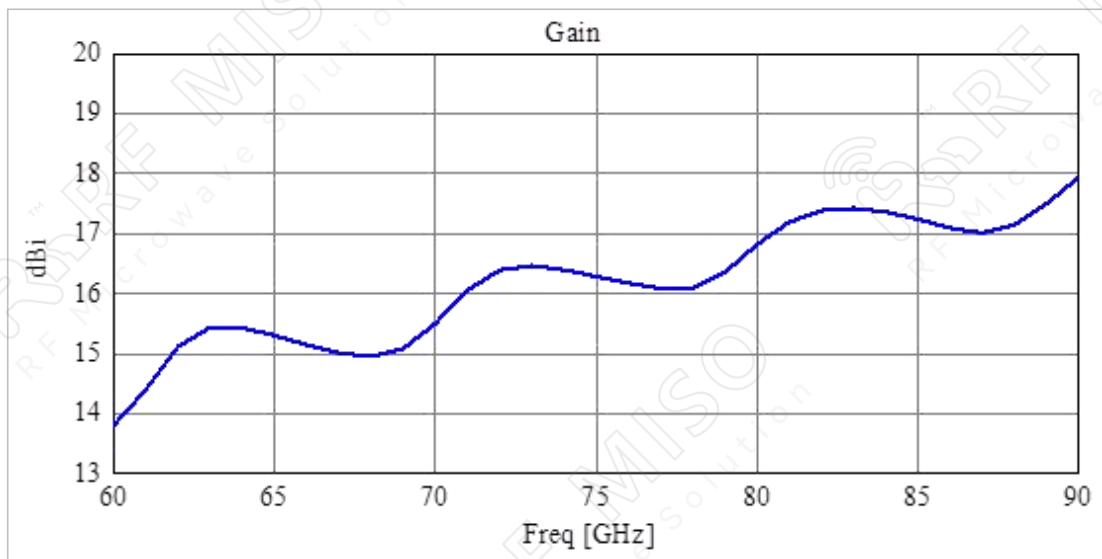


Dual Polarized Horn Antenna
16dBi Typ. Gain, 60GHz-90GHz Frequency Range

Dual Polarized Horn Antenna Data Sheet

RM-DPHA6090-16

Simulated Data

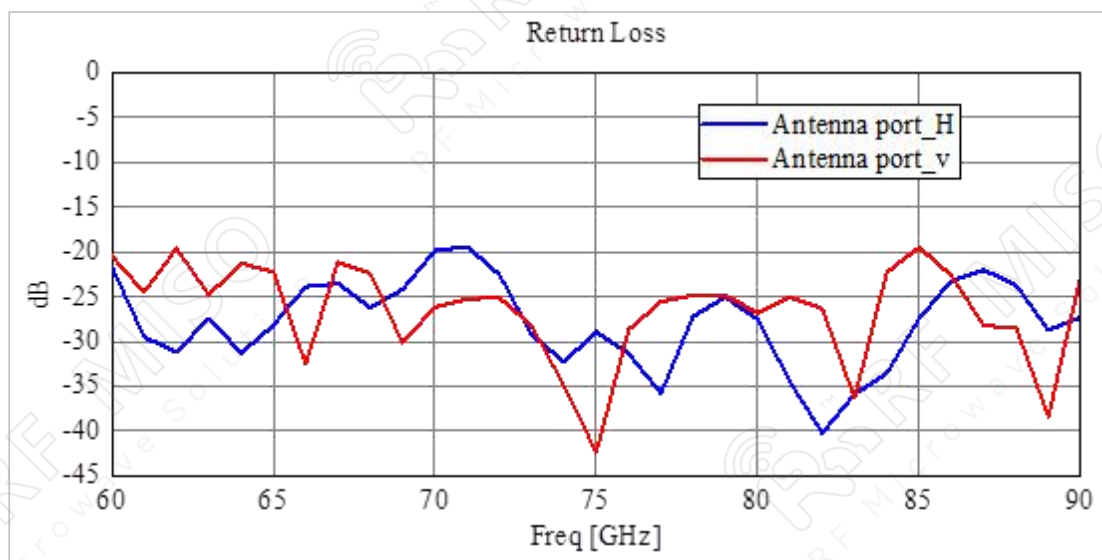
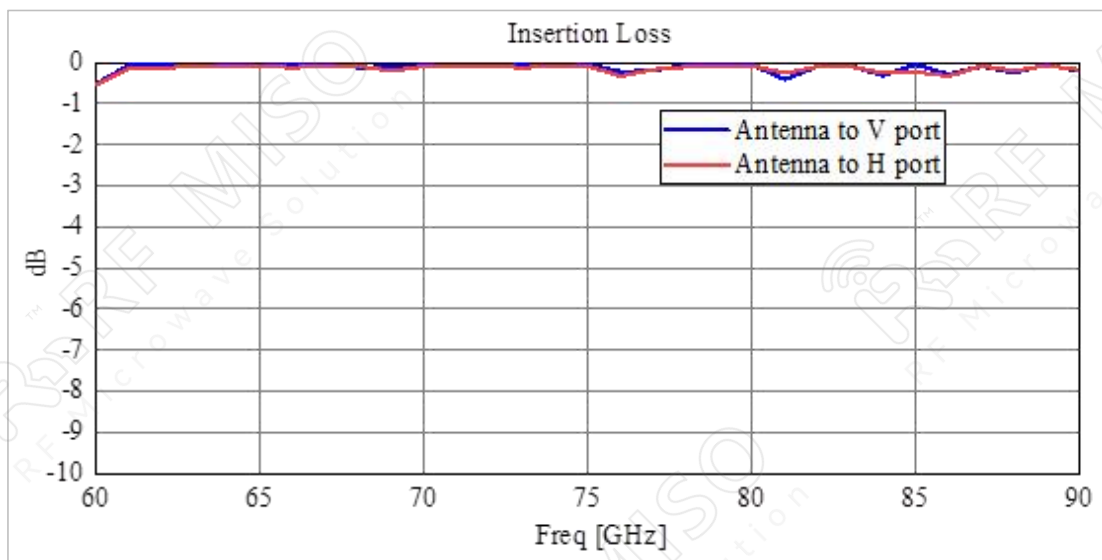




Dual Polarized Horn Antenna
16dBi Typ.Gain, 60GHz-90GHz Frequency Range

Dual Polarized Horn Antenna Data Sheet

RM-DPHA6090-16

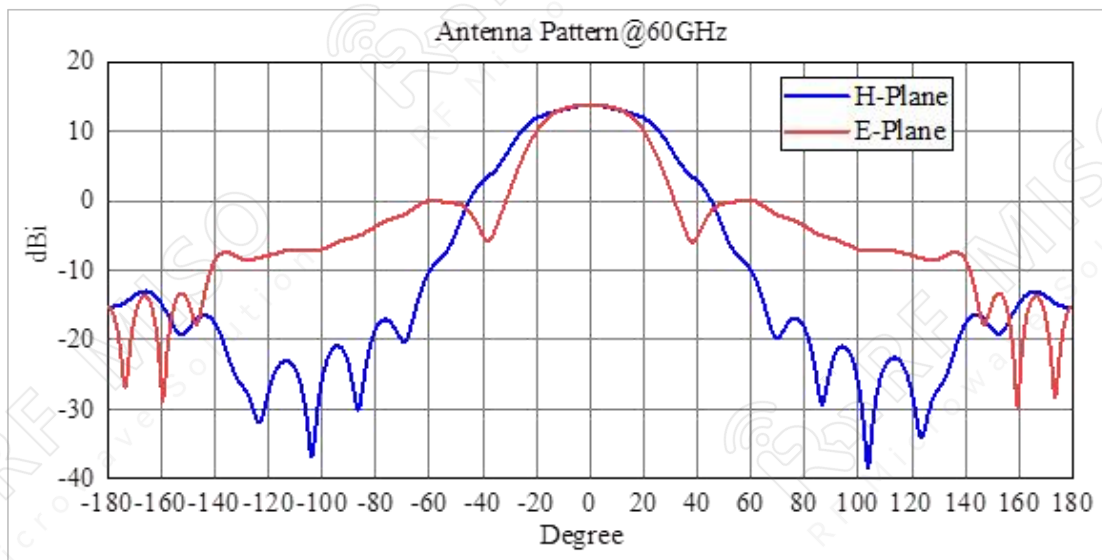
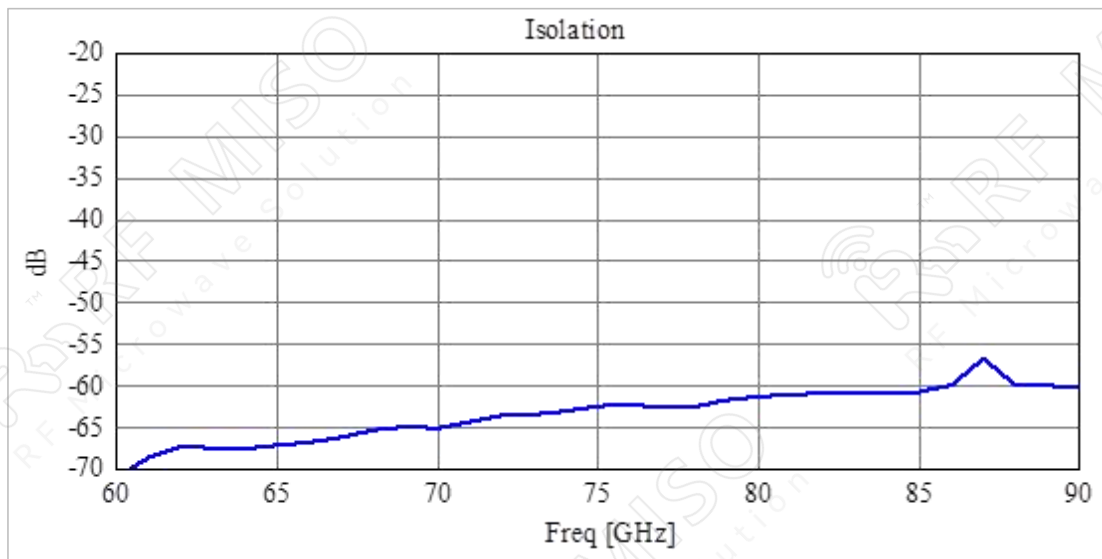




Dual Polarized Horn Antenna
16dBi Typ. Gain, 60GHz-90GHz Frequency Range

Dual Polarized Horn Antenna Data Sheet

RM-DPHA6090-16





Dual Polarized Horn Antenna
16dBi Typ.Gain, 60GHz-90GHz Frequency Range

Dual Polarized Horn Antenna Data Sheet

RM-DPHA6090-16

