

*Dual Polarized Horn Antenna  
25dBi Typ.Gain, 200-240GHz Frequency Range*

**Dual Polarized Horn Antenna Data Sheet**

**RM-DPHA4-25**

**Features**

- Full Band Performance
- Dual Polarization
- High Isolation
- Precisely Machined and Gold Plated

**Description**

The **RM-DPHA4-25** is a full-band, dual-polarized, WR-4 horn antenna assembly that operates in the frequency range of 200 to 240GHz. The antenna features an integrated orthogonal mode converter that provides high port isolation. The RM-DPHA4-25 supports vertical and horizontal waveguide orientations and has a typical 45 dB cross-polarization isolation. The input to the antenna is a WR4 waveguide.

**Specifications**

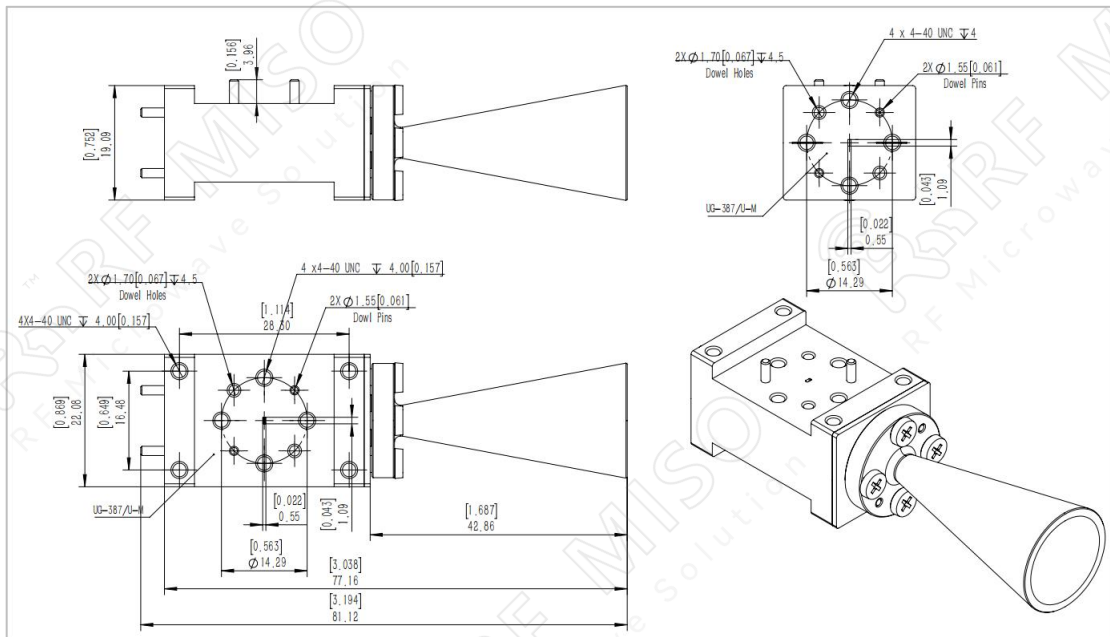
<b>RM-DPHA4-25</b>		
Item	Specification	Units
Frequency Range	200-240	GHz
Gain	25 Typ.	dBi
VSWR	1.2 Typ.	
Polarization	Dual Linear	
3dB Beam width E plane	6.70 Typ.	°
3dB Beam width H plane	6.87 Typ.	°
Port to port Isolation	55 Typ.	dB
Cross Polarization	45 Typ.	dB
Waveguide Size	WR-4	
Size	81.12*22.08*19.09	mm
Weight	0.129	Kg
Body Material and Finish	Cu, Gold	

Dual Polarized Horn Antenna  
25dBi Typ.Gain, 200-240GHz Frequency Range

**Dual Polarized Horn Antenna Data Sheet**

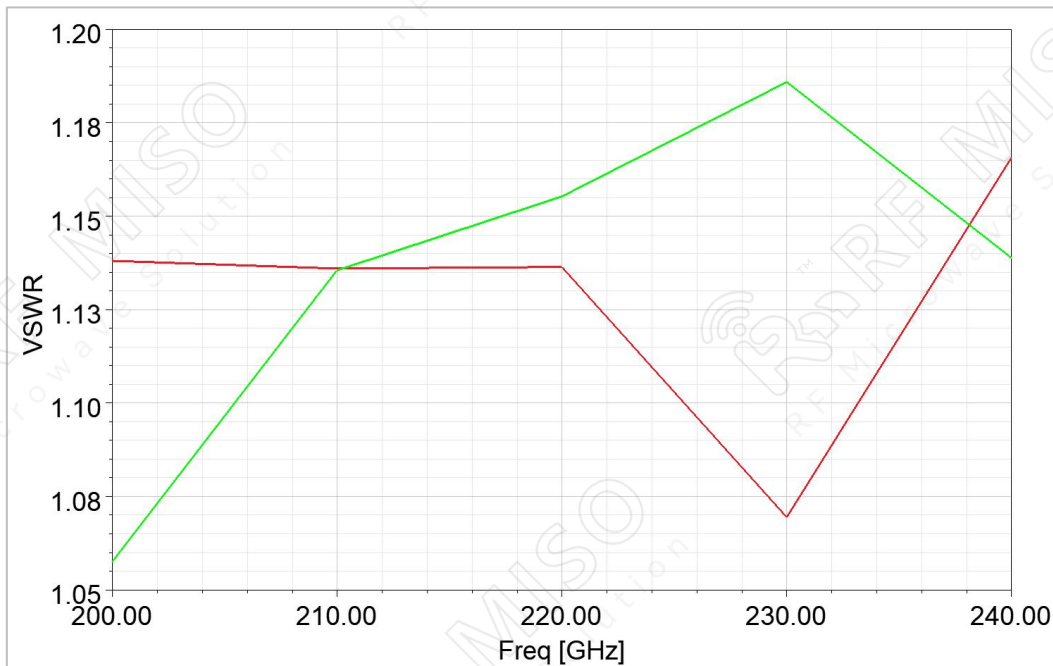
**RM-DPHA4-25**

**Outline Drawing**



**Simulation Result**

**VSWR**

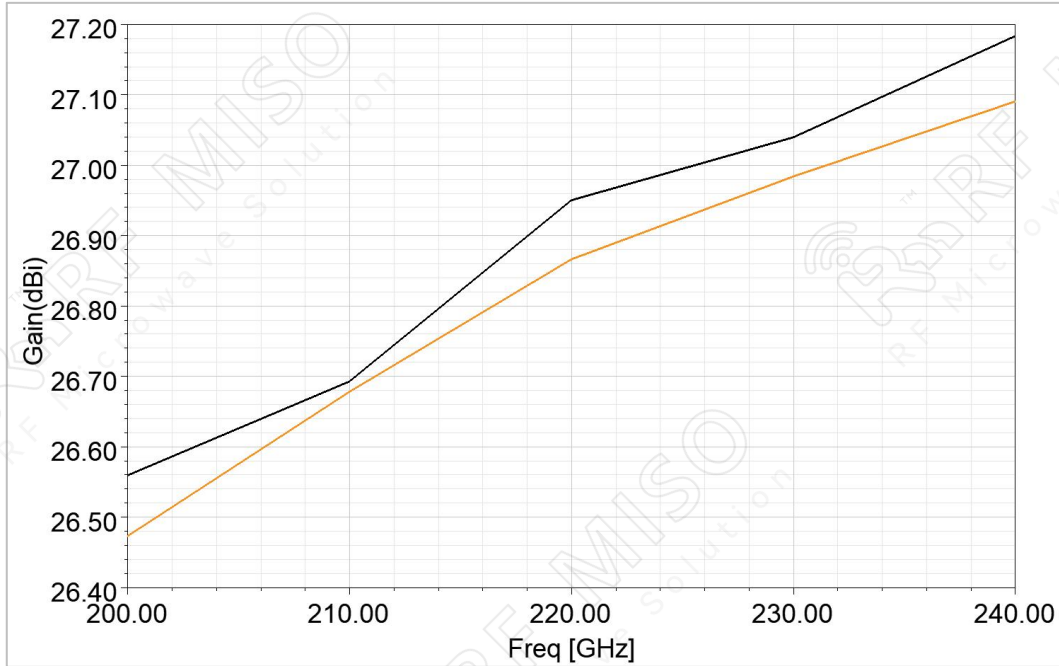


Dual Polarized Horn Antenna  
25dBi Typ.Gain, 200-240GHz Frequency Range

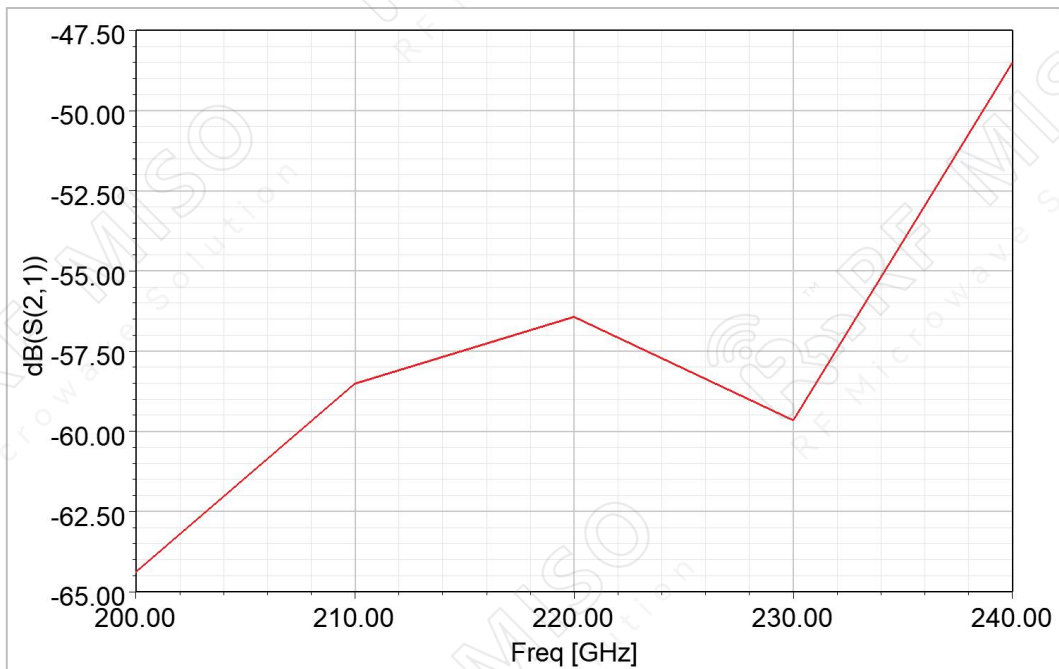
**Dual Polarized Horn Antenna Data Sheet**

**RM-DPHA4-25**

Gain



Port Isolation

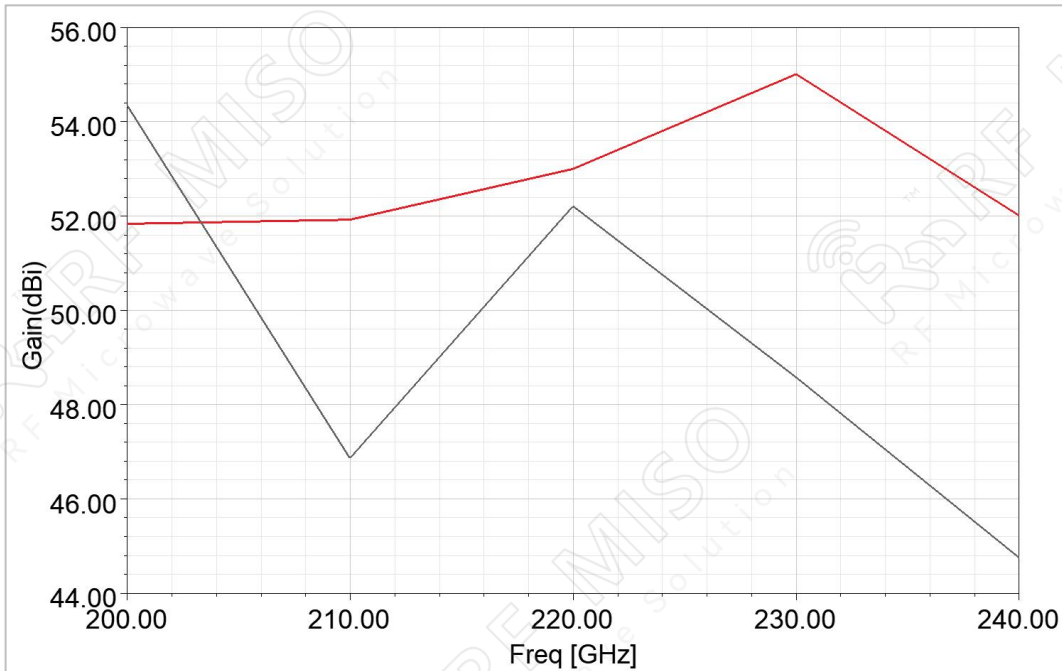


Dual Polarized Horn Antenna  
25dBi Typ.Gain, 200-240GHz Frequency Range

**Dual Polarized Horn Antenna Data Sheet**

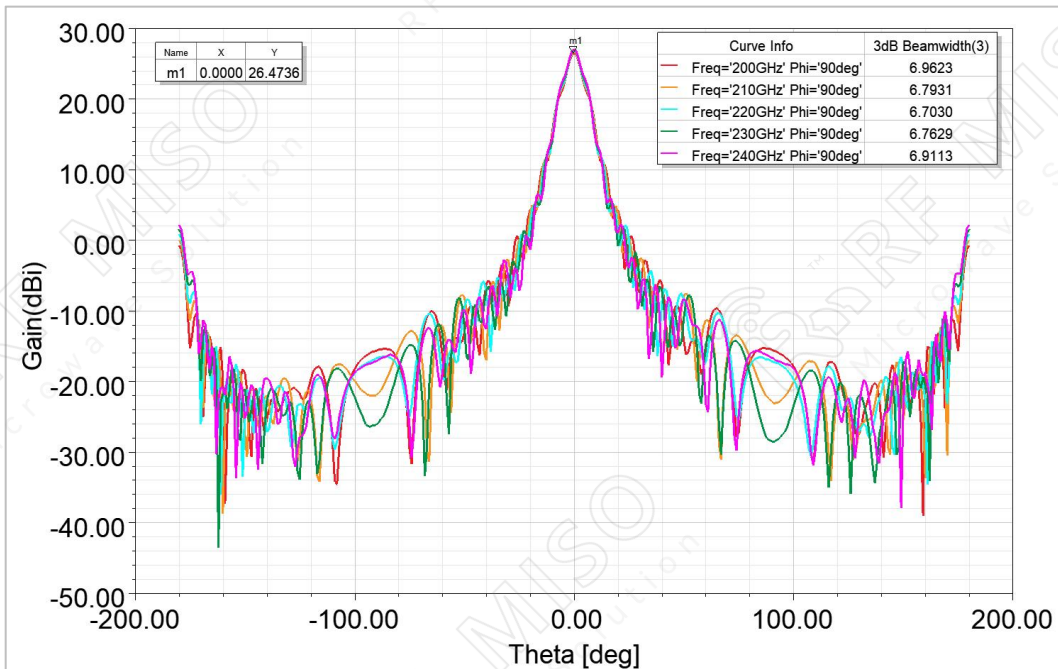
**RM-DPHA4-25**

Cross Polarization



**Pattern**

E-Plane



Dual Polarized Horn Antenna  
25dBi Typ.Gain, 200-240GHz Frequency Range

**Dual Polarized Horn Antenna Data Sheet**

**RM-DPHA4-25**

H-Plane

