



Dual Polarized Horn Antenna  
25dBi Typ.Gain, 220-330GHz Frequency Range

## Dual Polarized Horn Antenna Data Sheet

**RM-DPHA3-25**

### Features

- Full Band Performance
- Dual Polarization
- High Isolation
- Precisely Machined and Gold Plated

### Description

The **RM-DPHA3-25** is a full-band, dual-polarized, WR-3 horn antenna assembly that operates in the frequency range of 220 to 330GHz. The antenna features an integrated orthogonal mode converter that provides high port isolation. The RM-DPHA3-25 supports vertical and horizontal waveguide orientations and has a typical 65 dB cross-polarization isolation. The input to the antenna is a WR3 waveguide.

### Specifications

RM-DPHA3-25		
Item	Specification	Units
Frequency Range	220-330	GHz
Gain	25 Typ.	dBi
VSWR	<1.5	
Polarization	Dual	
3dB Beam width E plane	6.98 Typ.	Degrees
3dB Beam width H plane	9.11 Typ.	Degrees
Port Isolation	75 Typ.	dB
Cross Polarization	65 Typ.	dB
Waveguide Size	WR-3	
Size	62.92*23.5*23.5	mm
Weight	0.122	Kg
Body Material and Finish	Cu, Gold	

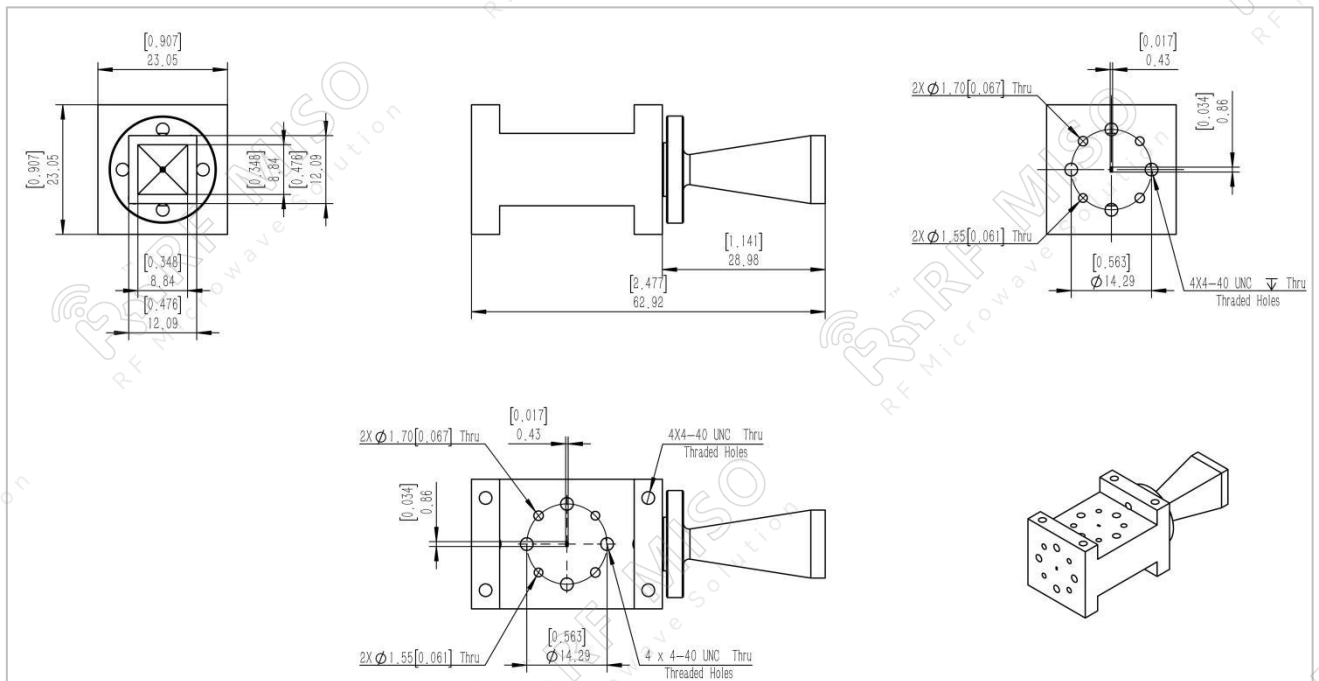


Dual Polarized Horn Antenna  
25dBi Typ.Gain, 220-330GHz Frequency Range

**Dual Polarized Horn Antenna Data Sheet**

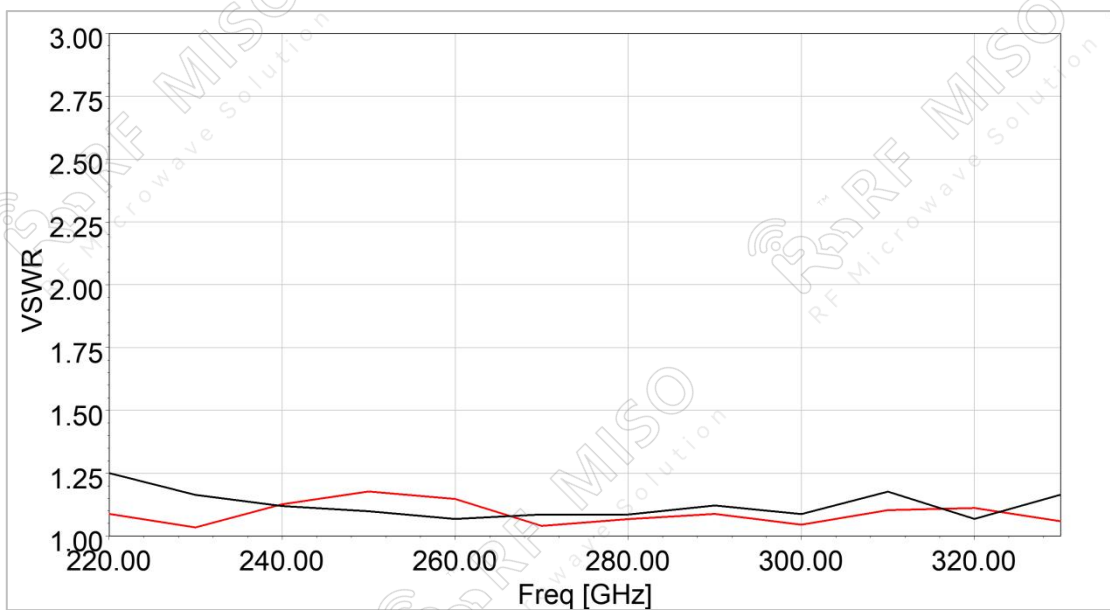
**RM-DPHA3-25**

**Outline Drawing**



**Testing Result**

**VSWR**



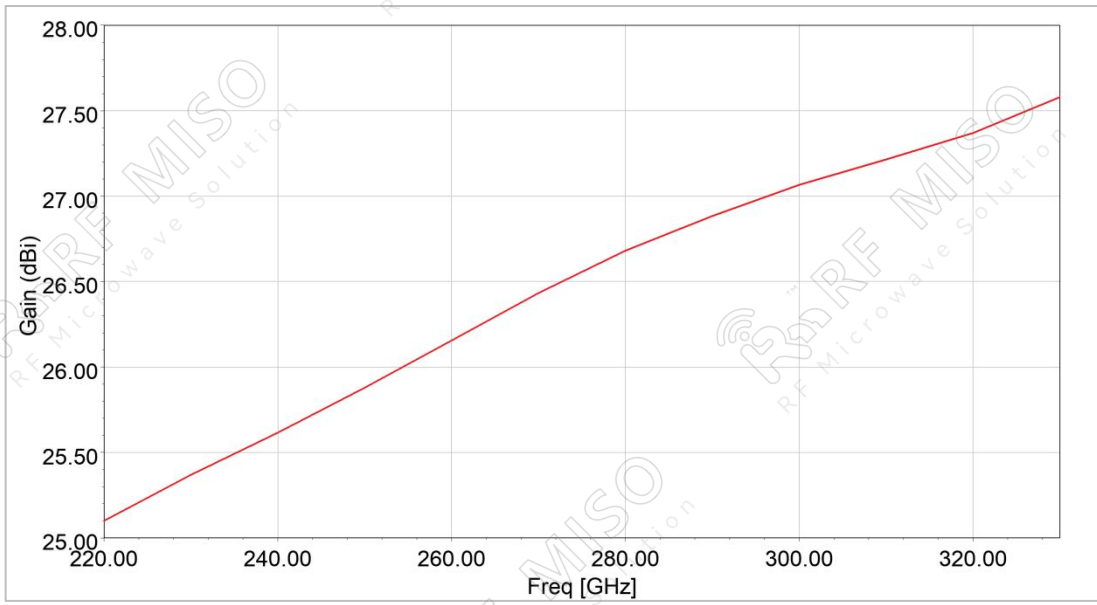


Dual Polarized Horn Antenna  
25dBi Typ. Gain, 220-330GHz Frequency Range

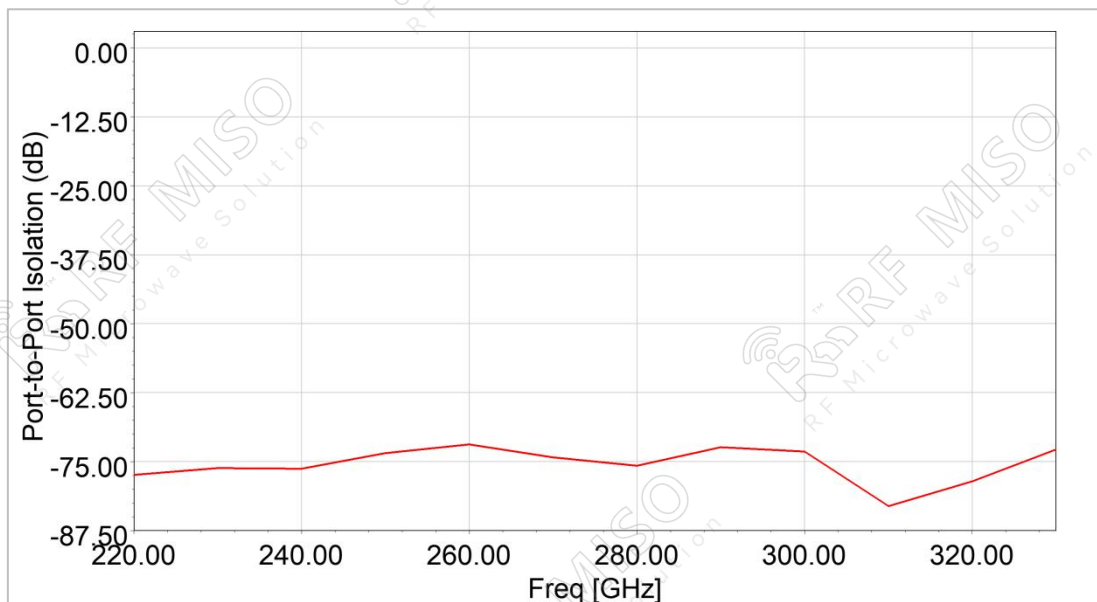
**Dual Polarized Horn Antenna Data Sheet**

**RM-DPHA3-25**

Gain



Port Isolation



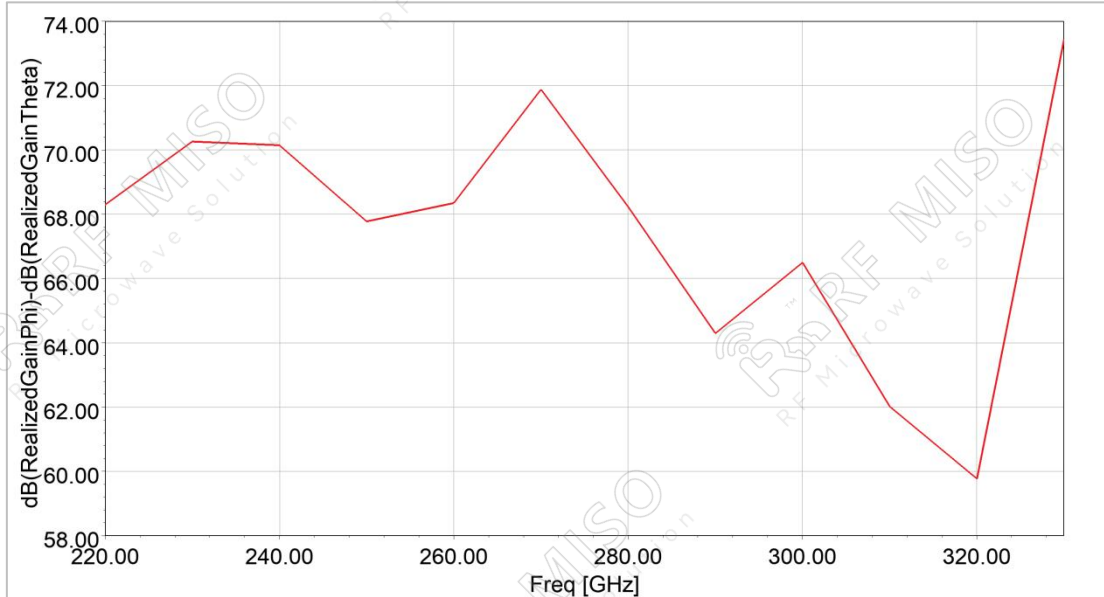


Dual Polarized Horn Antenna  
25dBi Typ. Gain, 220-330GHz Frequency Range

## Dual Polarized Horn Antenna Data Sheet

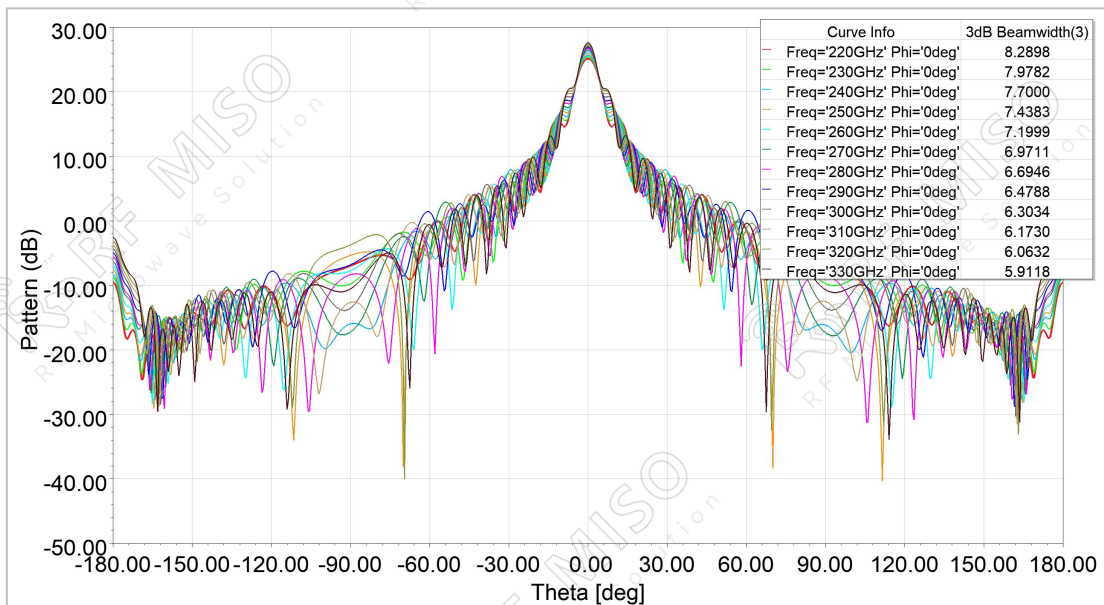
**RM-DPHA3-25**

### Cross Polarization



### Pattern

#### E-Plane





Dual Polarized Horn Antenna  
25dBi Typ.Gain, 220-330GHz Frequency Range

## Dual Polarized Horn Antenna Data Sheet

**RM-DPHA3-25**

H-Plane

