

*Dual Circular Polarized Vivaldi Antenna
8 dBi Typ. Gain, 2-4GHz Frequency Range*

Dual Circular Polarized Vivaldi Antenna Data Sheet

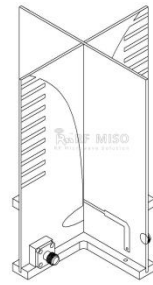
RM-DCVIA24-8

Description

RF MISO's **Model RM-DCVIA24-8** is a circular polarized vivaldi antenna that operates from 2 to 4 GHz, The antenna offers 8dBi typical gain. The antenna VSWR is typical 1.5:1. The interface is N-Female. The antenna is suitable for radar, satellite communications, electronic warfare and high-end wireless testing.

Specifications

RM-DCVIA24-8		
Item	Specification	Units
Frequency Range	2-4	GHz
Gain	8 Typ.	dBi
VSWR	1.5 Typ.	
AR	<3	dB
Corss Polarization	34 Typ.	dB
Polarization	Dual Circular Polarized	
Connector	N-Female	
Finishing	Paint	
Material	Al	dB
Size(L*W*H)	96.0*96.0*128.0(±5)	mm
Weight	0.094	g

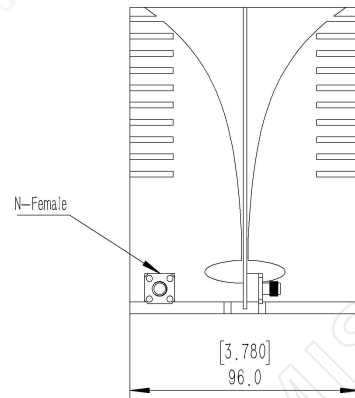
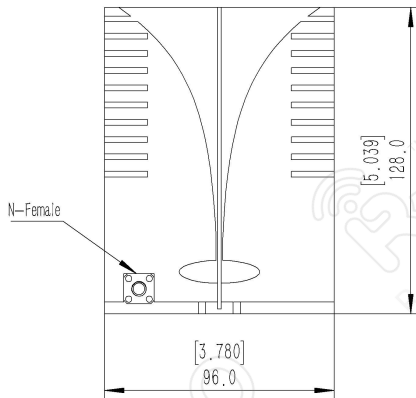
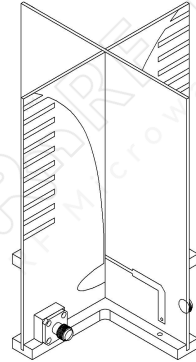
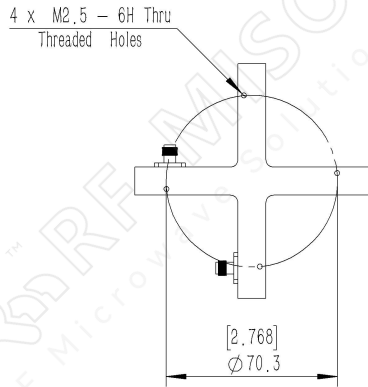


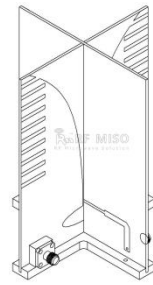
Dual Circular Polarized Vivaldi Antenna
8 dBi Typ. Gain, 2-4GHz Frequency Range

Dual Circular Polarized Vivaldi Antenna Data Sheet

RM-DCVIA24-8

Outline Drawing





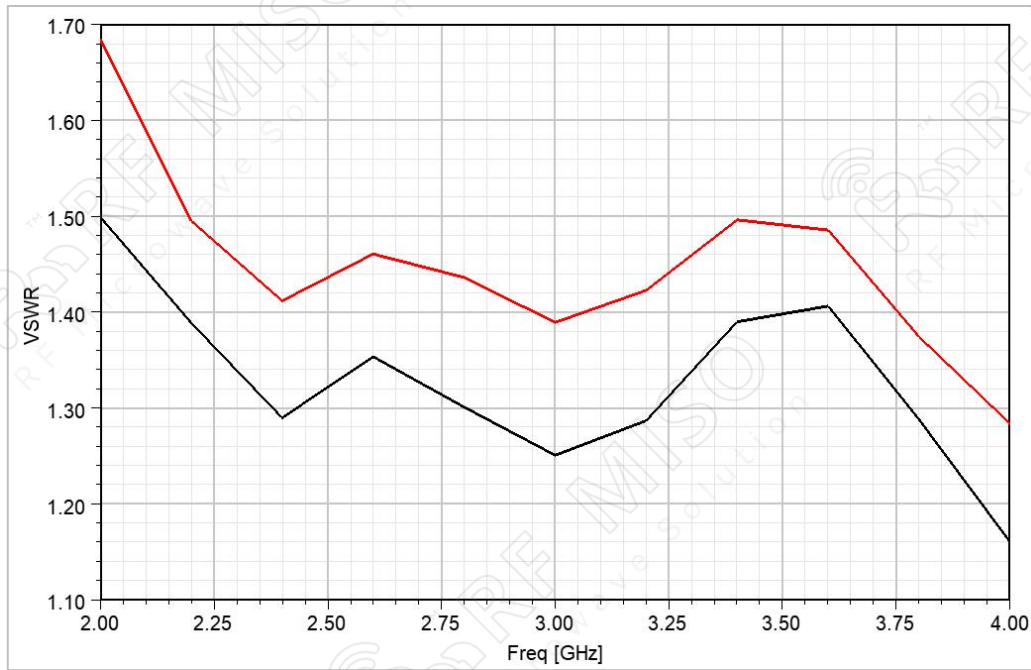
Dual Circular Polarized Vivaldi Antenna
8 dBi Typ. Gain, 2-4GHz Frequency Range

Dual Circular Polarized Vivaldi Antenna Data Sheet

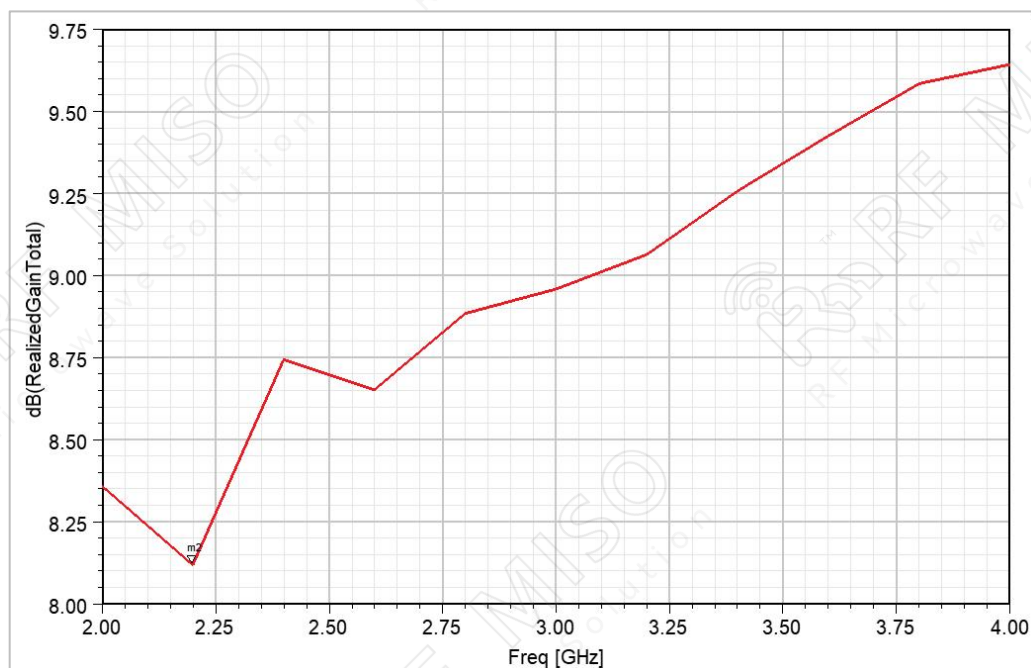
RM-DCVIA24-8

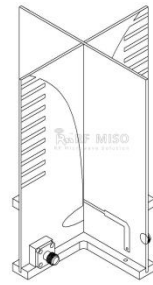
Simulation Data

VSWR



Gain



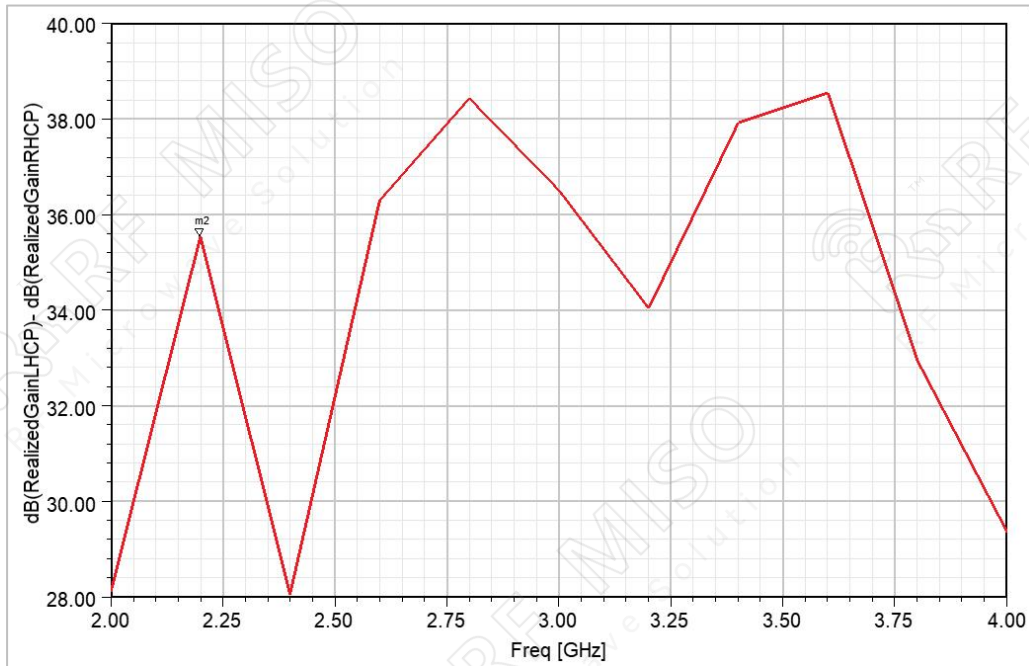


Dual Circular Polarized Vivaldi Antenna
8 dBi Typ. Gain, 2-4GHz Frequency Range

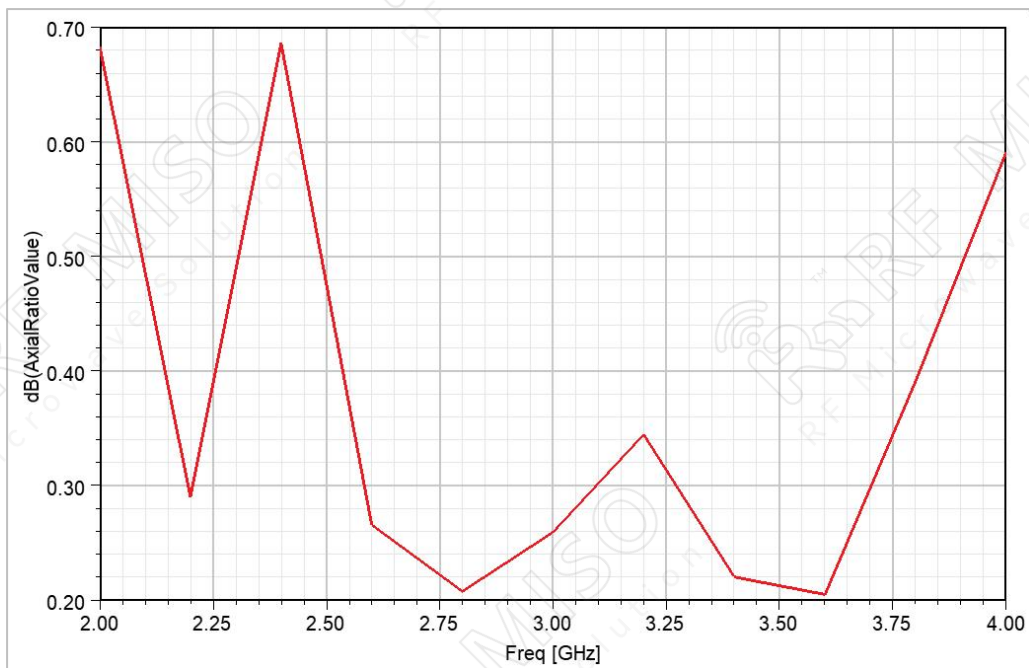
Dual Circular Polarized Vivaldi Antenna Data Sheet

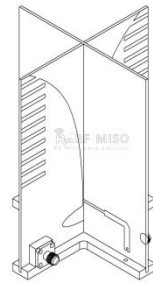
RM-DCVIA24-8

Cross polarization



AR





Dual Circular Polarized Vivaldi Antenna
8 dBi Typ. Gain, 2-4GHz Frequency Range

Dual Circular Polarized Vivaldi Antenna Data Sheet

RM-DCVIA24-8

Pattern

