

*Dual Circular Polarized Horn Antenna 20dBi Typ.
Gain, 95-105 GHz Frequency Range*

Dual Circular Polarized Horn Antenna Data

RM-DCPHA95105-20

Descriptions

RF MISO's Model RM-DCPHA95105-20 is RHCP and LHCP dual circular polarized horn antenna that operates from 95 to 105 GHz. The antenna offers a typical gain of 20 dBi and low VSWR 1.2:1 Typ. It is suitable for 6G communications, millimeter-wave radar, security imaging, and W-band testing.

Specifications

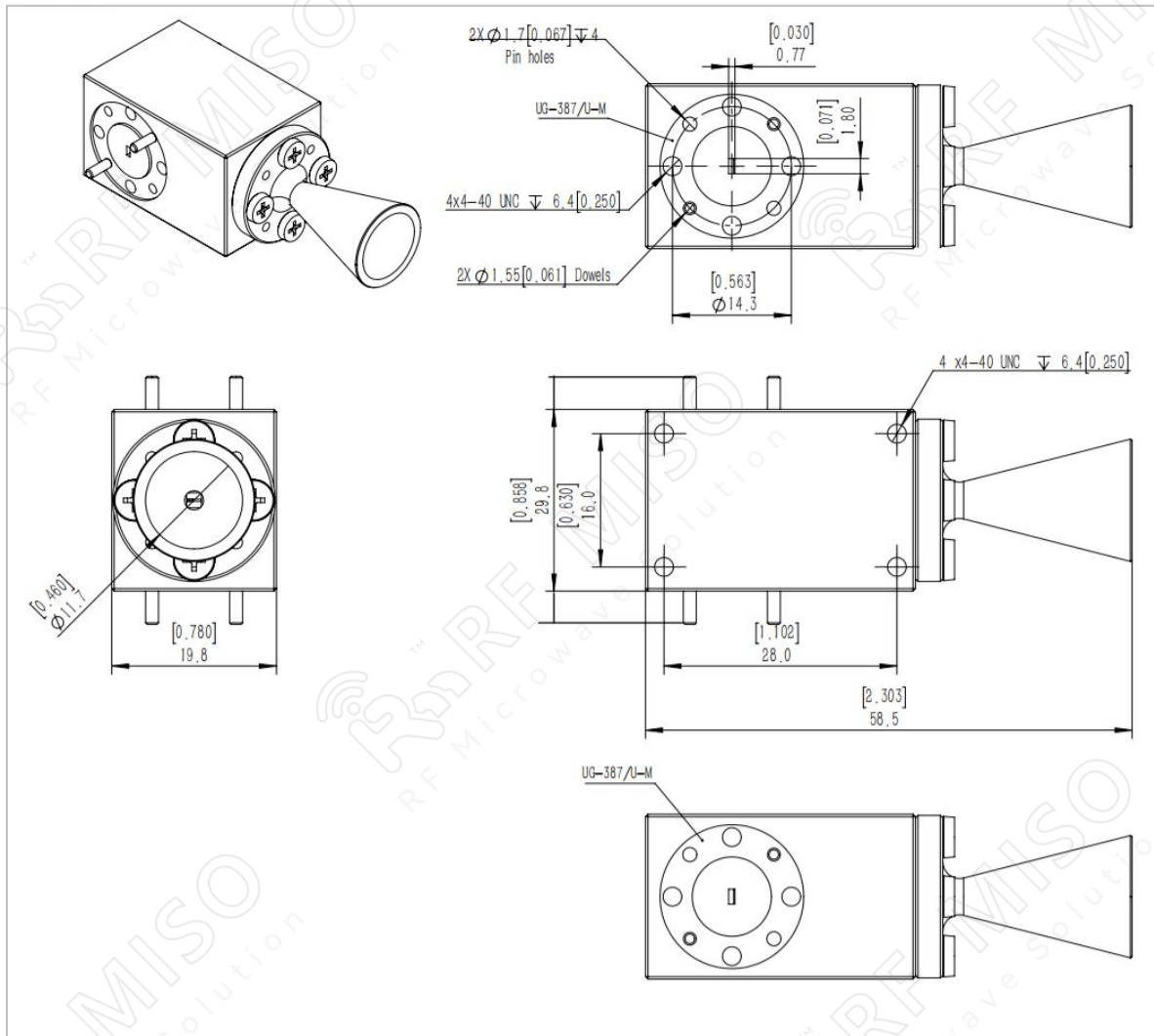
RM-DCPHA95105-20		
Parameters	Specification	Unit
Frequency Range	95-105	GHz
Gain	20 Typ.	dBi
VSWR	1.2 Typ.	
AR	<2	
Cross Polarization	30 Typ.	dB
Port to Port Isolation	30 Typ.	dB
Polarization	RHCP and LHCP	
Interface	Waveguide	
Material	Al	
Finishing	Paint	
Size (L*W*H)	58.5*29.8*19.8 (±5)	mm
Weight	0.127	kg

*Dual Circular Polarized Horn Antenna 20dBi Typ.
Gain, 95-105 GHz Frequency Range*

Dual Circular Polarized Horn Antenna Data

RM-DCPHA95105-20

Outline Drawing



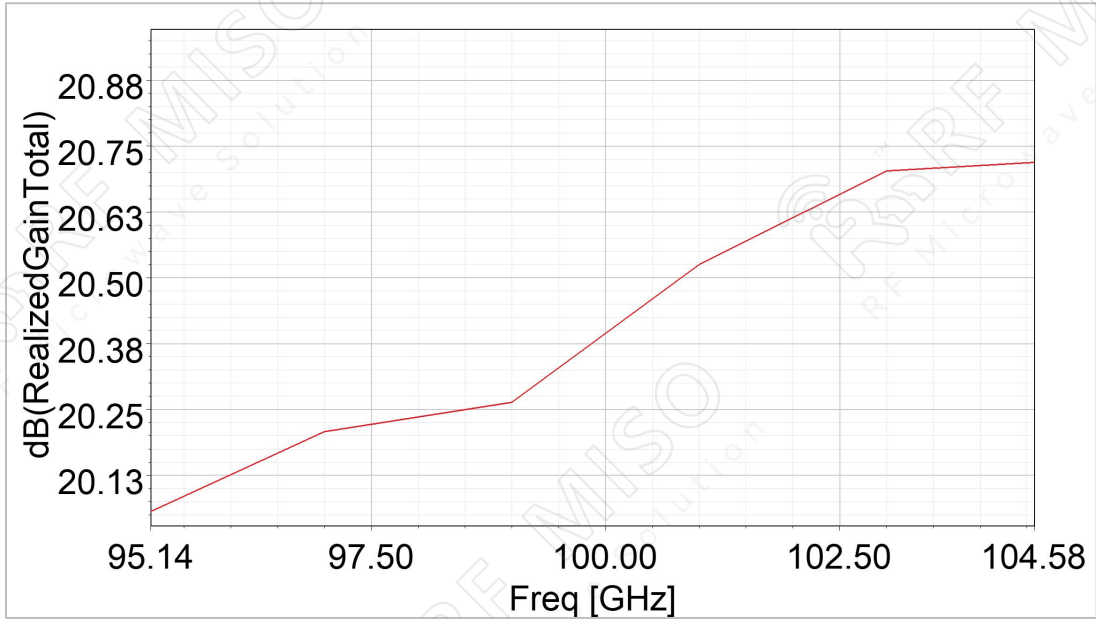
Dual Circular Polarized Horn Antenna 20dBi Typ.
Gain, 95-105 GHz Frequency Range

Dual Circular Polarized Horn Antenna Data

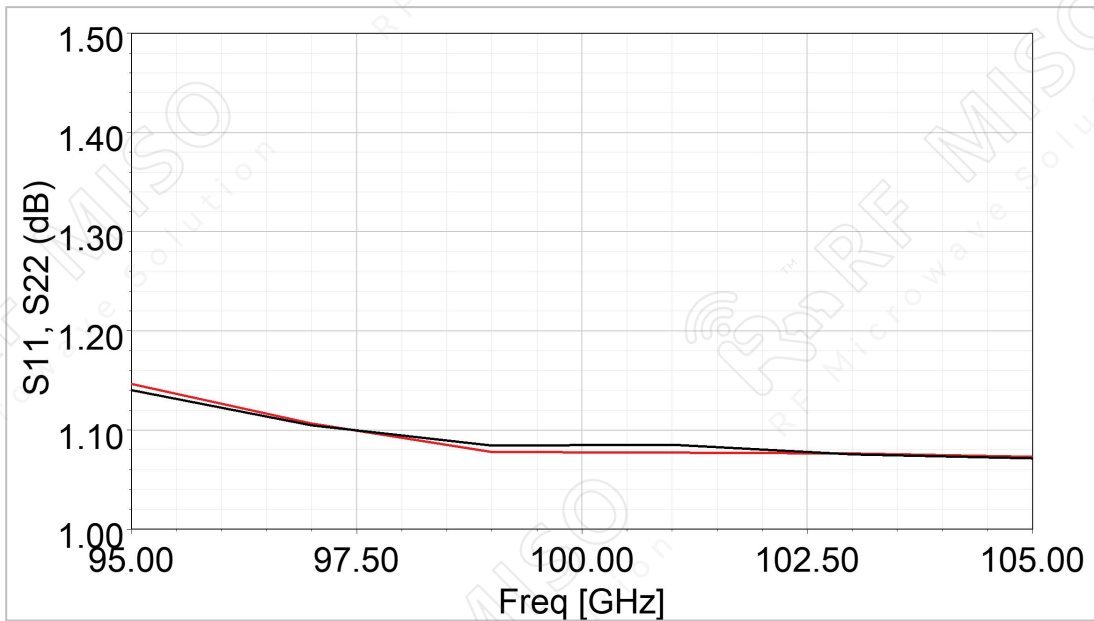
RM-DCPHA95105-20

Simulation

Gain



VSWR

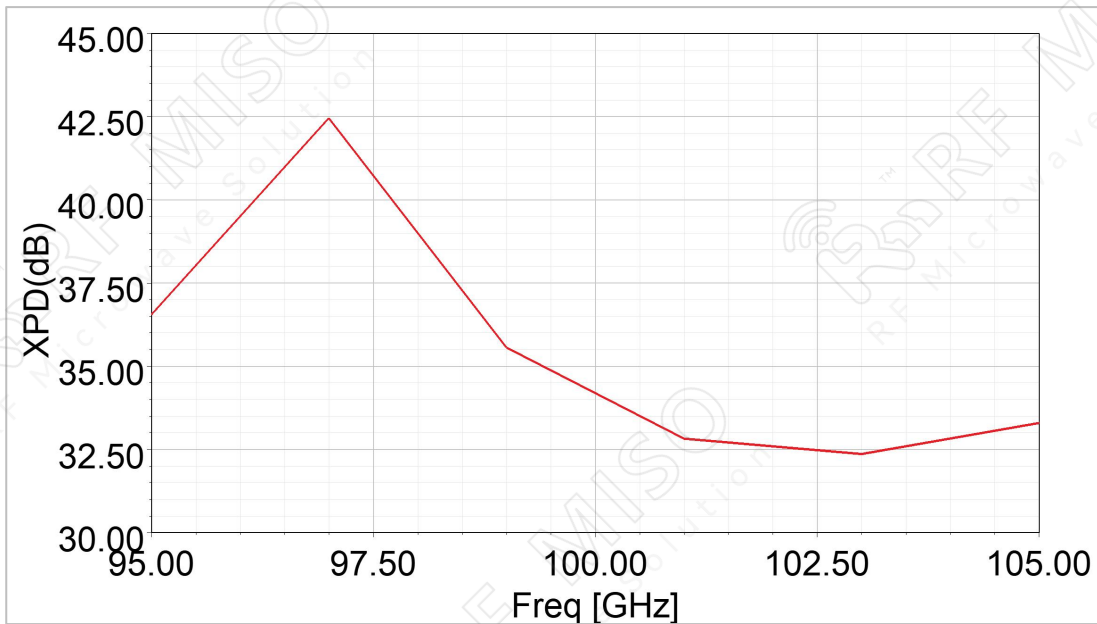


Dual Circular Polarized Horn Antenna 20dBi Typ.
Gain, 95-105 GHz Frequency Range

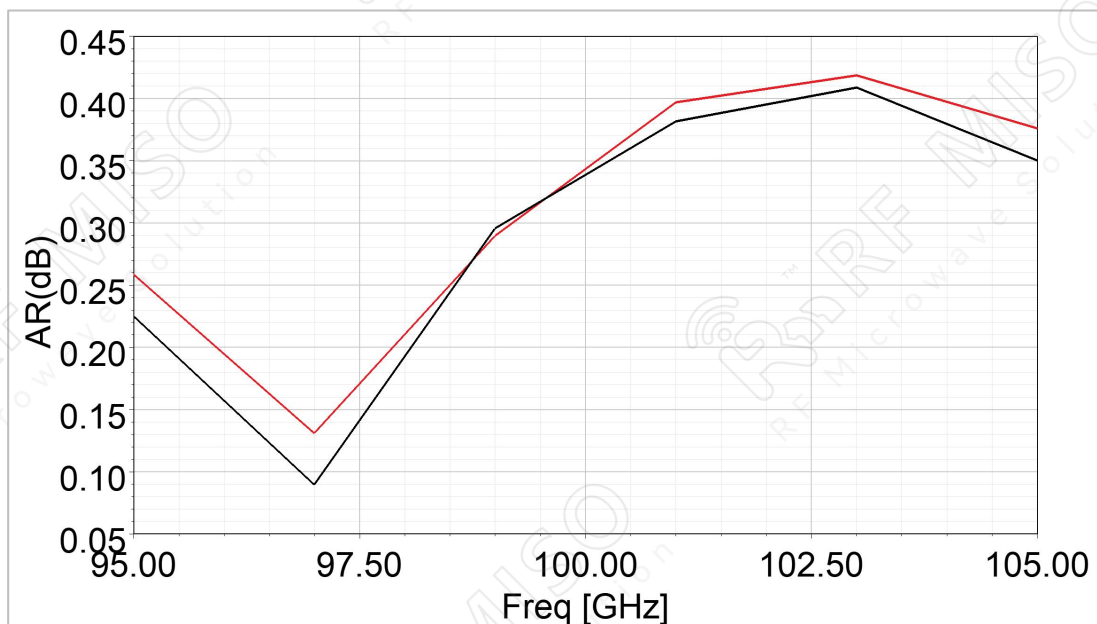
Dual Circular Polarized Horn Antenna Data

RM-DCPHA95105-20

Cross Polarization



AR

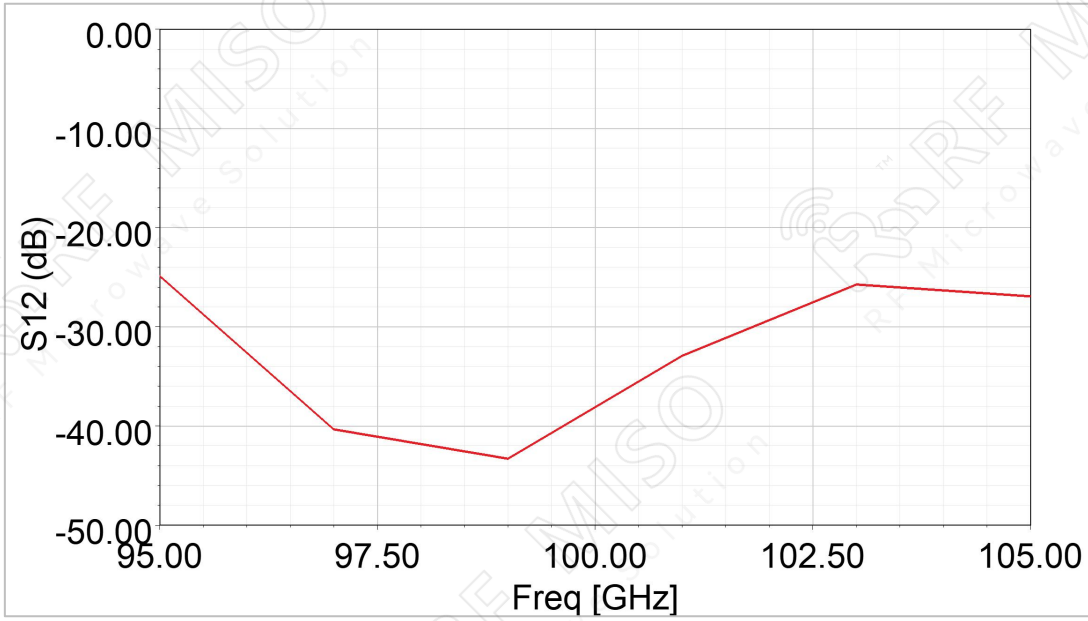


Dual Circular Polarized Horn Antenna 20dBi Typ.
Gain, 95-105 GHz Frequency Range

Dual Circular Polarized Horn Antenna Data

RM-DCPHA95105-20

Port to Port Isolation



Pattern

