

*Dual Circular Polarized Horn Antenna 20dBi Typ.
Gain, 95-105 GHz Frequency Range*

Dual Circular Polarized Horn Antenna Data

RM-DCPHA95105-2

Descriptions

RF MISO's Model RM-DCPHA95105-20 is RHCP and LHCP dual circular polarized horn antenna that operates from 95 to 105 GHz. The antenna offers a typical gain of 20 dBi and low VSWR 1.2:1 Typ. It is suitable for 6G communications, millimeter-wave radar, security imaging, and W-band testing.

Specifications

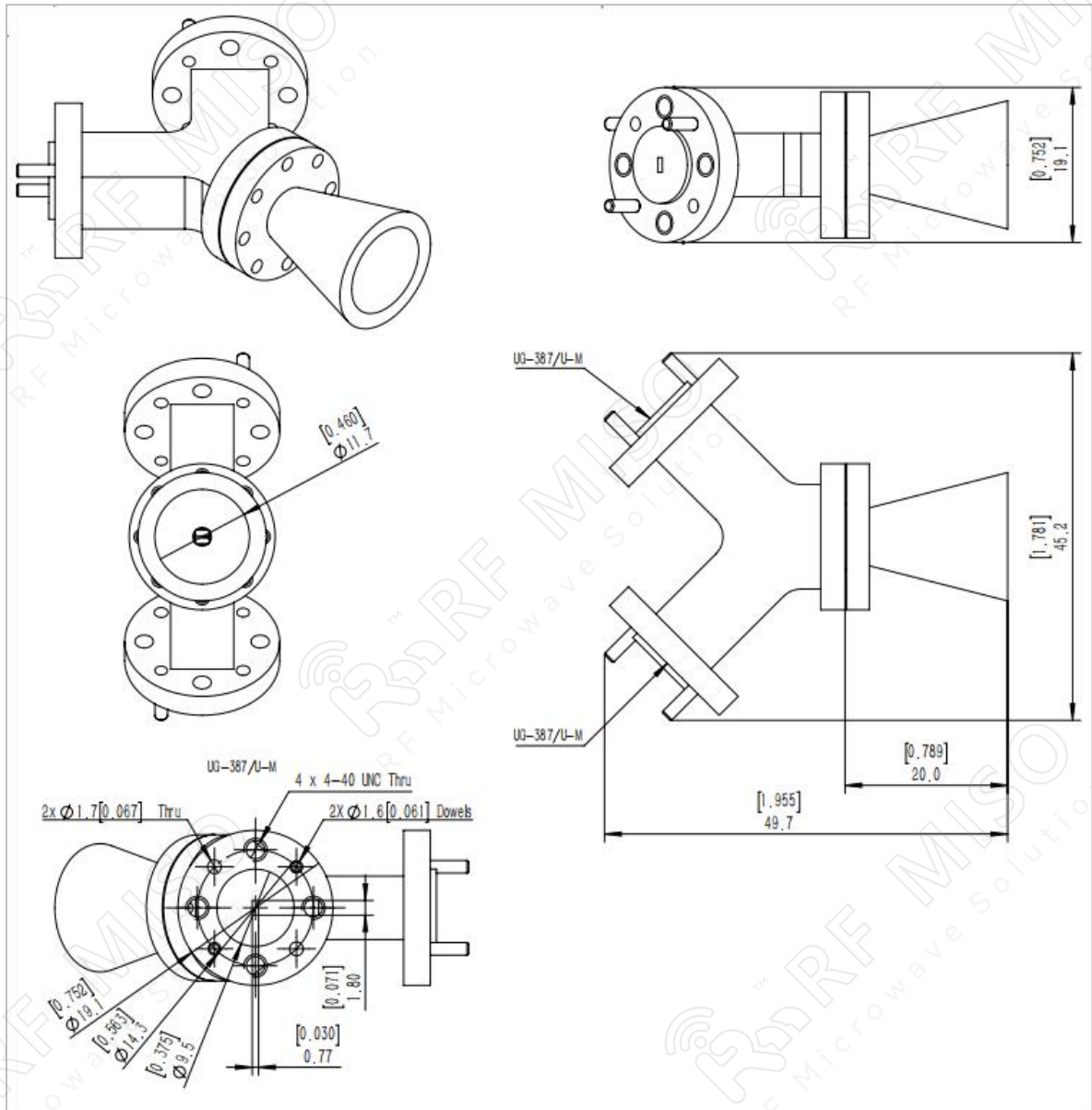
| RM-DCPHA95105-20 | | |
|-------------------------|---------------------|------|
| Parameters | Specification | Unit |
| Frequency Range | 95-105 | GHz |
| Gain | 20 Typ. | dBi |
| VSWR | 1.2 Typ. | |
| AR | <2 | |
| Cross Polarization | 30 Typ. | dB |
| Port to Port Isolation | 30 Typ. | dB |
| Polarization | RHCP and LHCP | |
| Interface | Waveguide | |
| Material | Al | |
| Finishing | Paint | |
| Size (L*W*H) | 49.7*45.2*19.1 (±5) | mm |
| Weight | 0.06 | kg |

Dual Circular Polarized Horn Antenna 20dBi Typ.
Gain, 95-105 GHz Frequency Range

Dual Circular Polarized Horn Antenna Data

RM-DCPHA95105-2

Outline Drawing



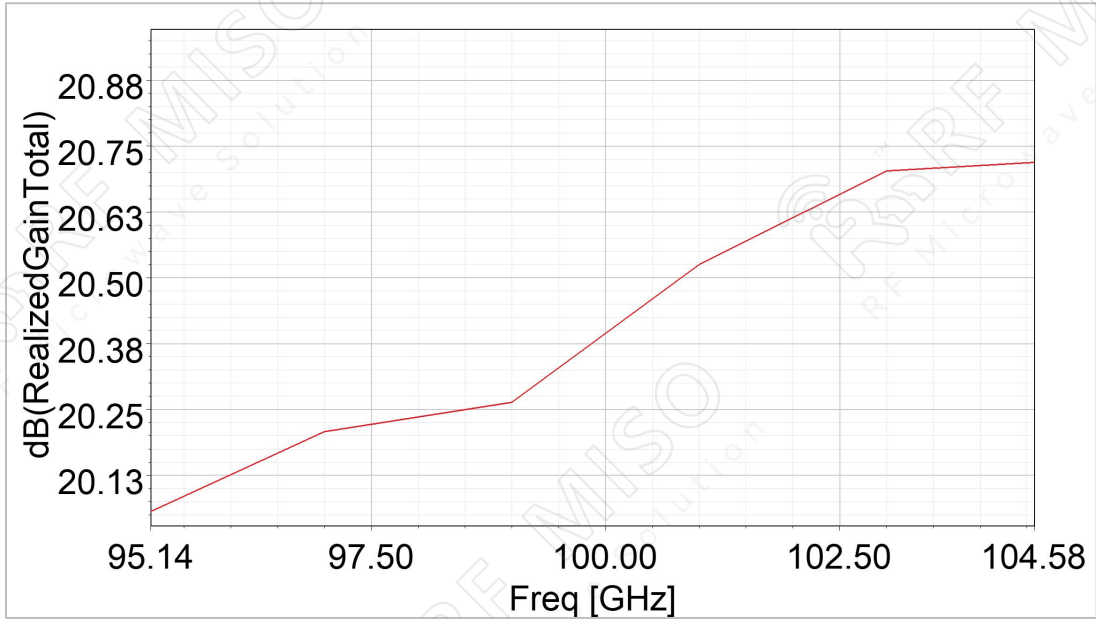
Dual Circular Polarized Horn Antenna 20dBi Typ.
Gain, 95-105 GHz Frequency Range

Dual Circular Polarized Horn Antenna Data

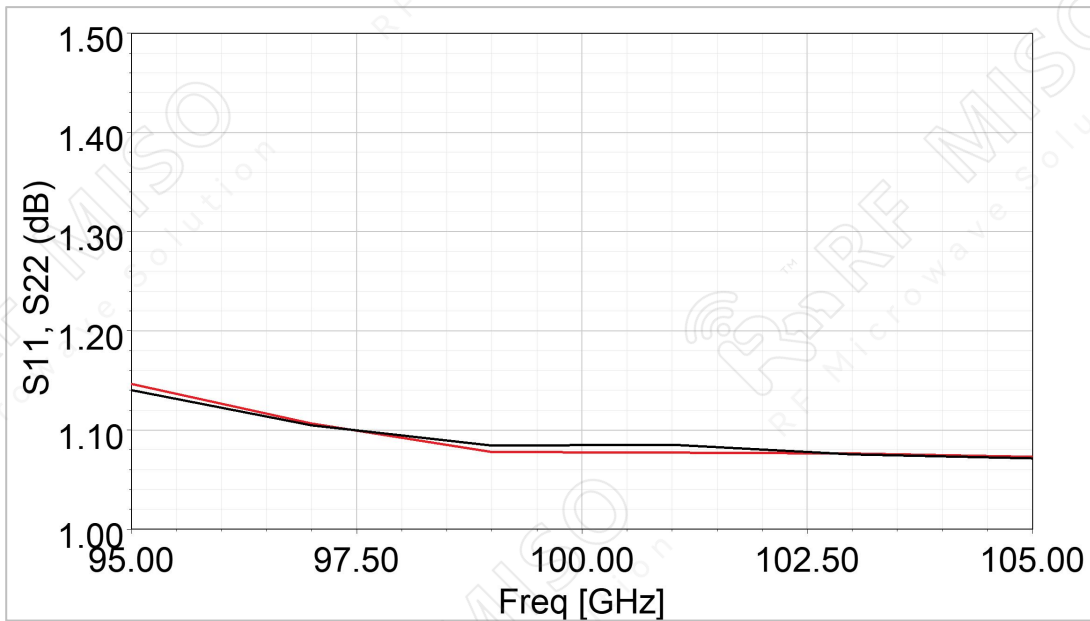
RM-DCPHA95105-2

Simulation

Gain



VSWR

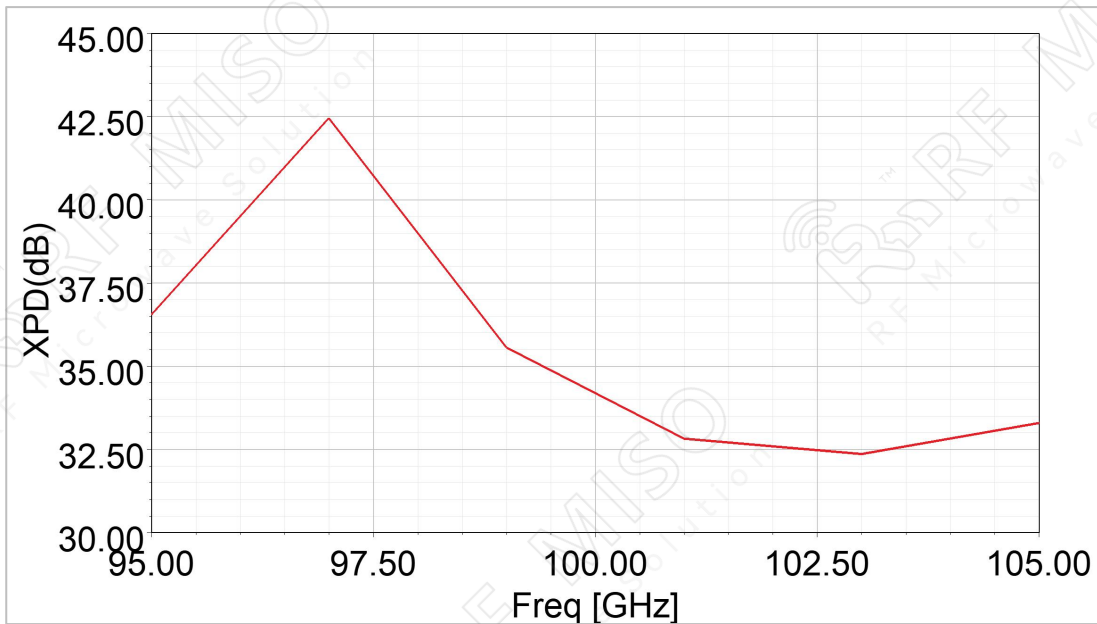


Dual Circular Polarized Horn Antenna 20dBi Typ.
Gain, 95-105 GHz Frequency Range

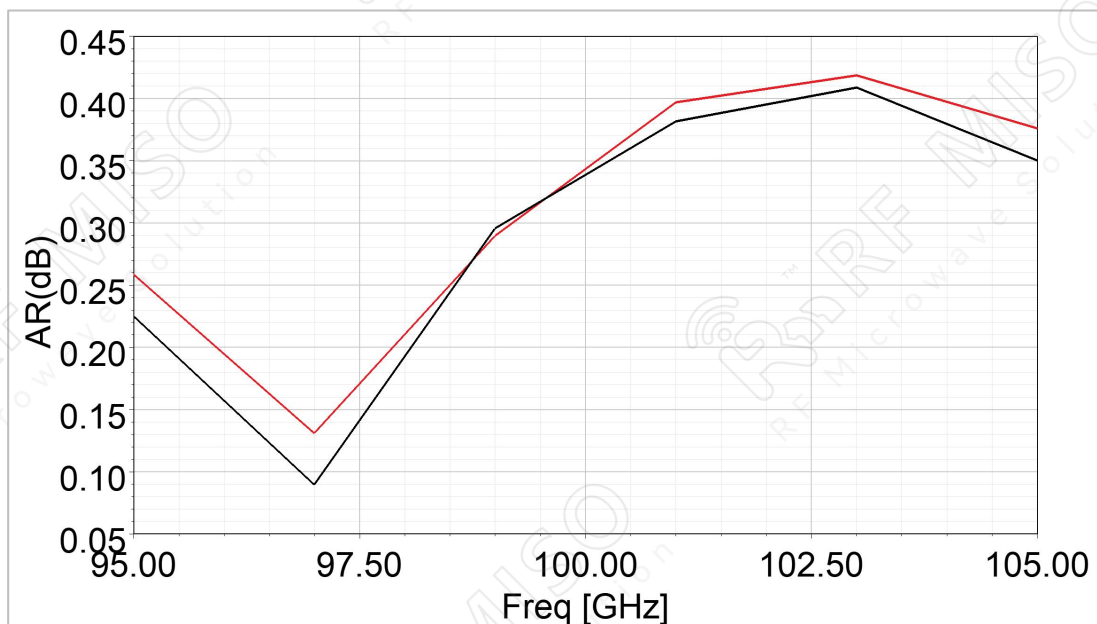
Dual Circular Polarized Horn Antenna Data

RM-DCPHA95105-2

Cross Polarization



AR

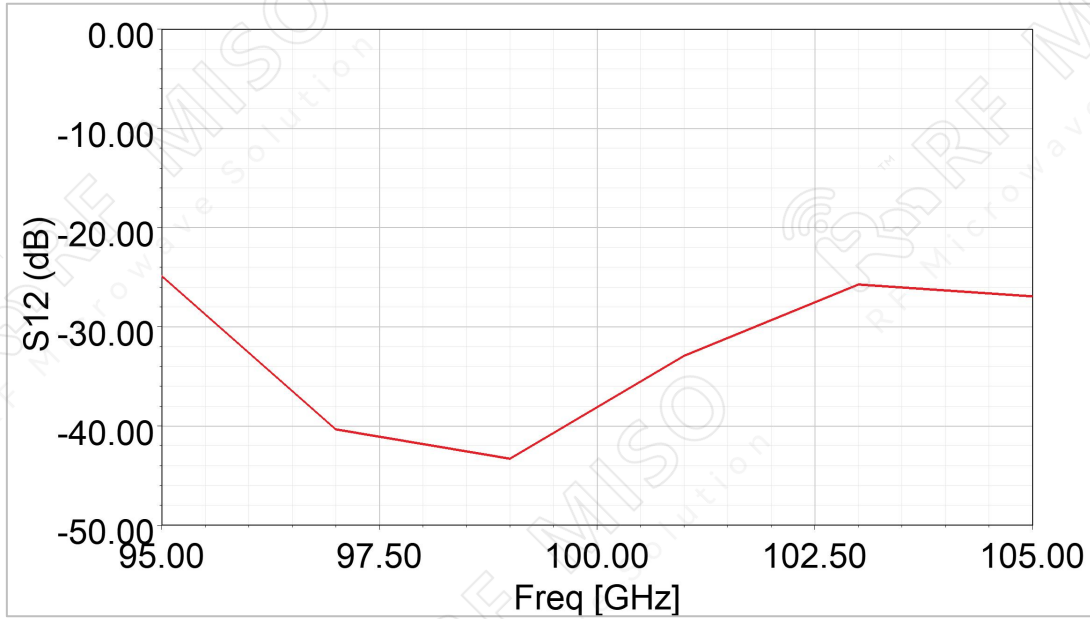


Dual Circular Polarized Horn Antenna 20dBi Typ.
Gain, 95-105 GHz Frequency Range

Dual Circular Polarized Horn Antenna Data

RM-DCPHA95105-2

Port to Port Isolation



Pattern

