

*Dual Circular Polarization Horn Antenna
12 dBi Typ. Gain, 1-10 GHz Frequency Range*

Dual Circular Polarized Horn Antenna Data Sheet

RM-DCPHA110-12

Descriptions

RF MISO's **Model RM-DCPHA110-12** is a dual circular polarized horn antenna that operates from 1 to 10 GHz, The antenna offers 12dBi typical gain. The antenna VSWR is <2. the interface is SMA-F. The antenna can be widely used in EMI detection, orientation, reconnaissance, antenna gain and pattern measurement and other application fields.

Specificaions

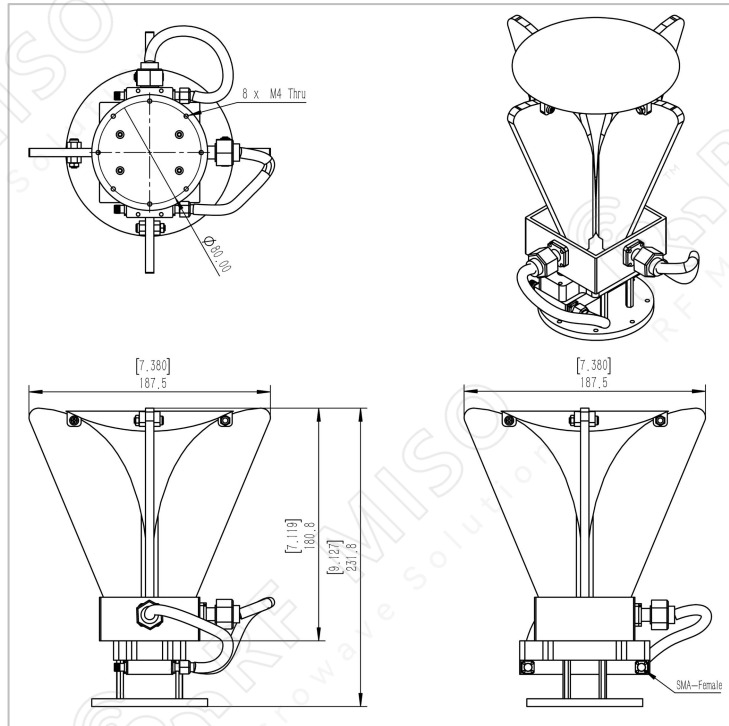
| RM-DCPHA110-12 | | |
|-----------------------|-----------------------|-------|
| Parameters | Typical | Units |
| Frequency Range | 1-10 | GHz |
| Gain | 12 Typ. | dBi |
| VSWR | <2 | |
| Polarization | Dual Circular | |
| Port Isolation | 42 Typ. | dB |
| F/B | 45 Typ. | dB |
| XPD | >25 | dB |
| AR | <1 | dB |
| Coaxial Interface | SMA-Female | |
| Material | Al | |
| Finishing | Paint Black | |
| Size(L*W*H) | 231.8*187.5*187.5(±5) | mm |
| Weight | 1.348 | Kg |

Dual Circular Polarization Horn Antenna
12 dBi Typ. Gain, 1-10 GHz Frequency Range

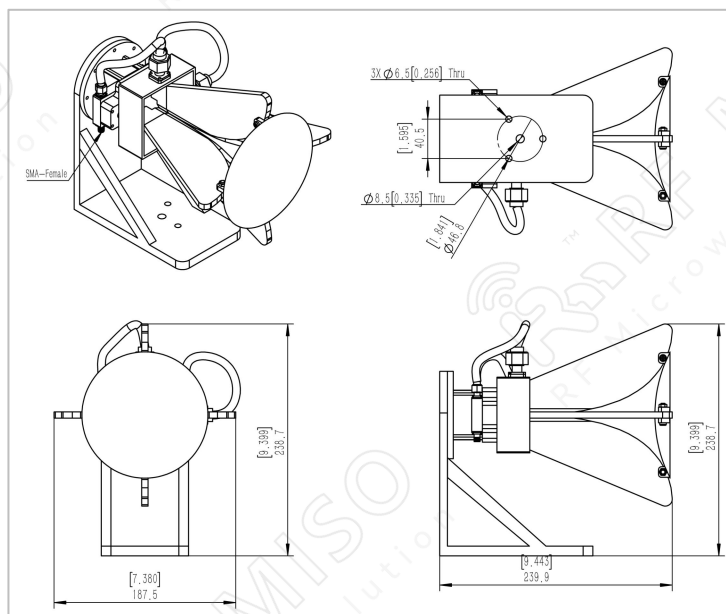
Dual Circular Polarized Horn Antenna Data Sheet

RM-DCPHA110-12

Outline Drawing with I-type Bracket P/N: RM-DCPHA110-12I



Outline Drawing with L-type Bracket P/N: RM-DCPHA110-12L



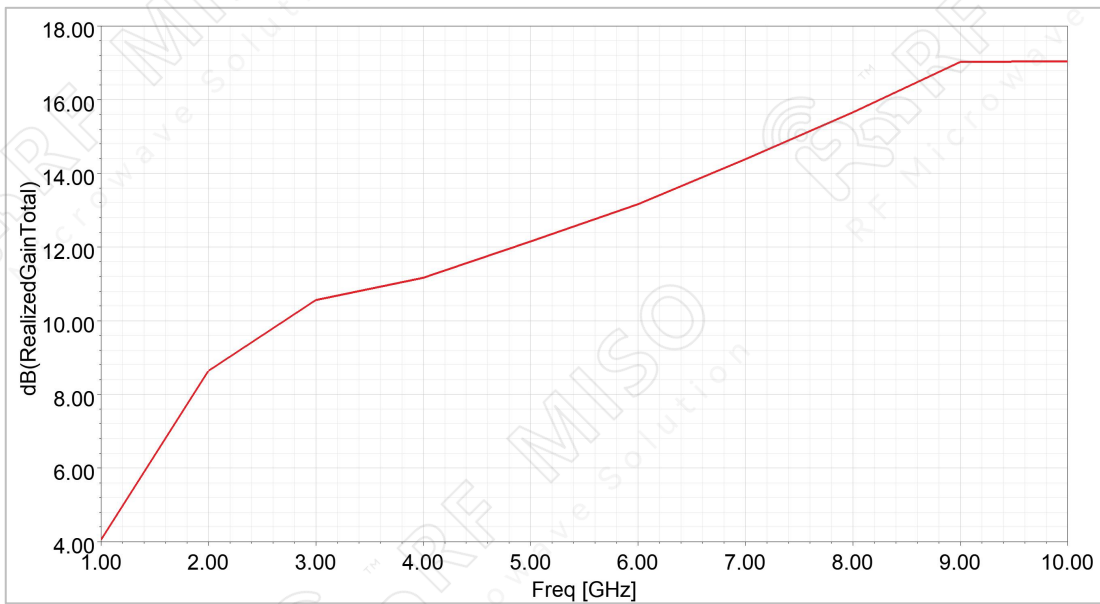
*Dual Circular Polarization Horn Antenna
12 dBi Typ. Gain, 1-10 GHz Frequency Range*

Dual Circular Polarized Horn Antenna Data Sheet

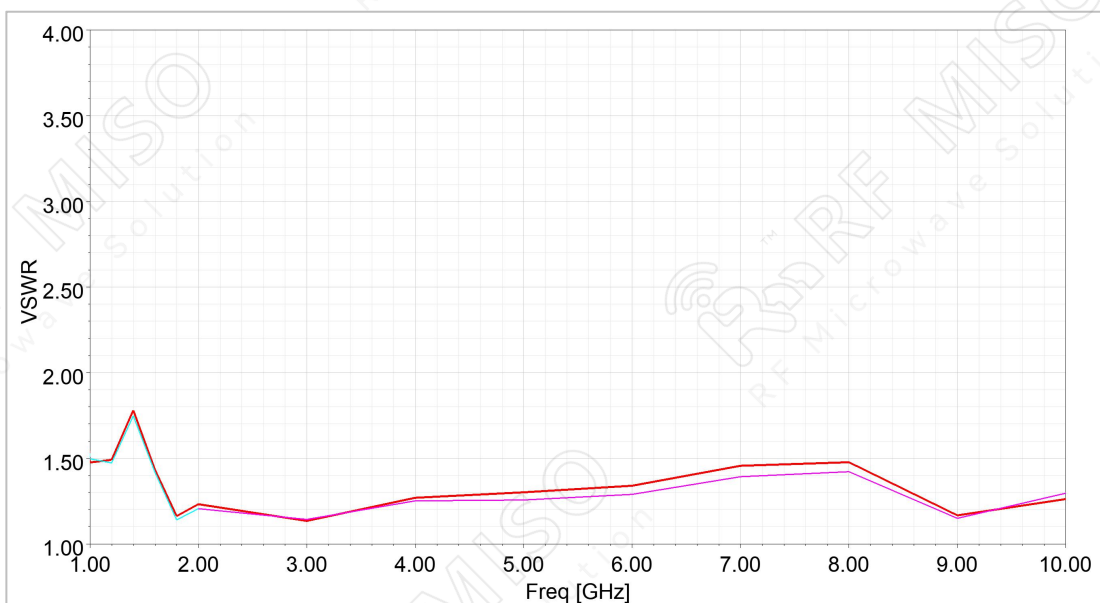
RM-DCPHA110-12

Simulation Data

Gain



VSWR

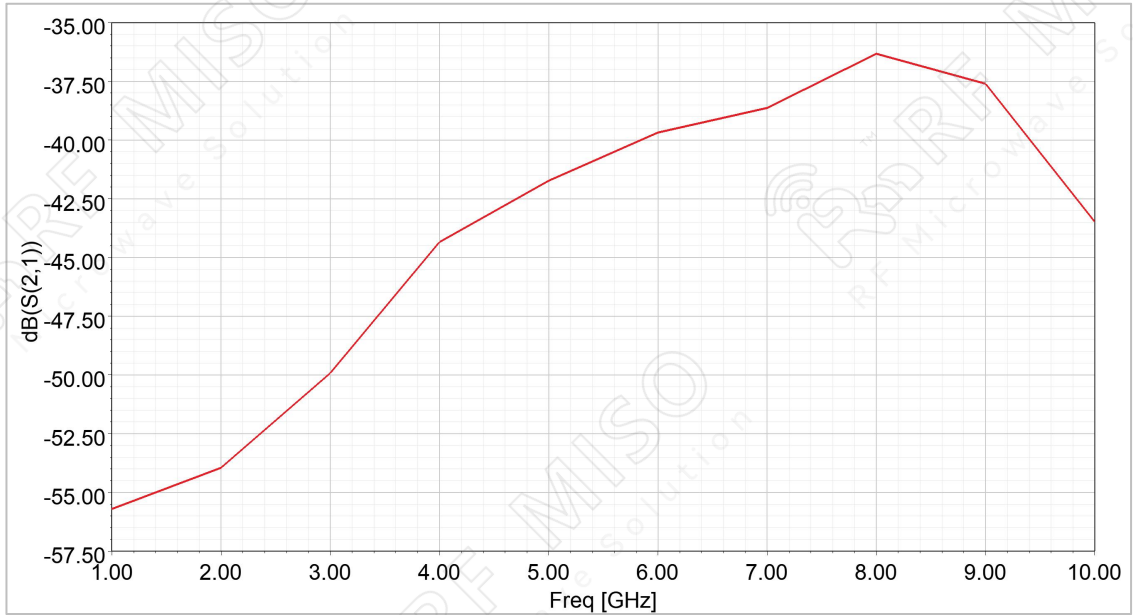


Dual Circular Polarization Horn Antenna
12 dBi Typ. Gain, 1-10 GHz Frequency Range

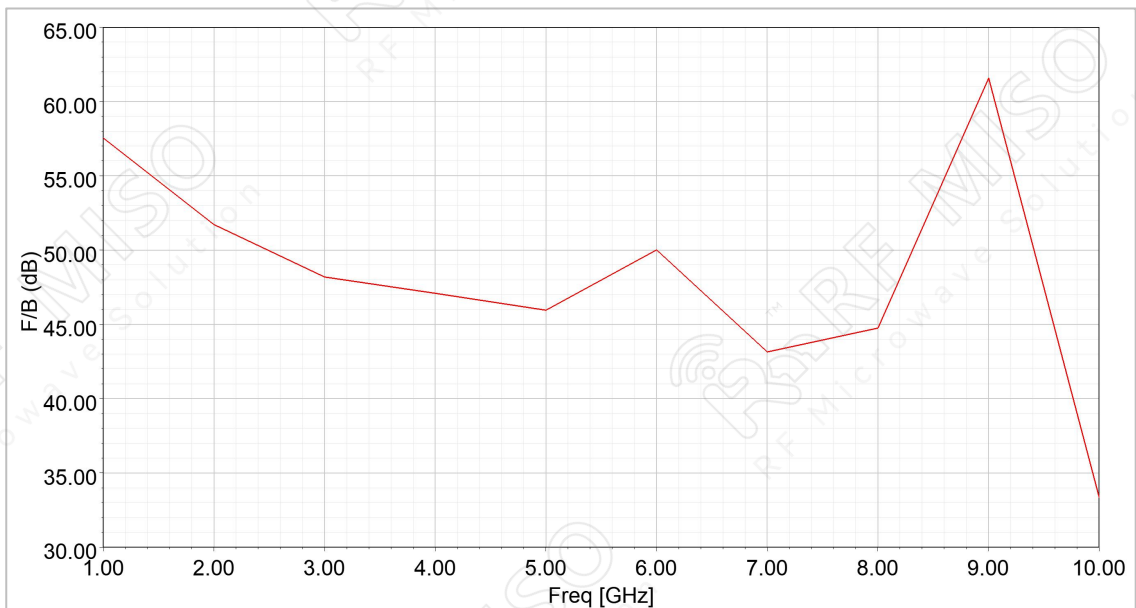
Dual Circular Polarized Horn Antenna Data Sheet

RM-DCPHA110-12

Port Isolation



F/B

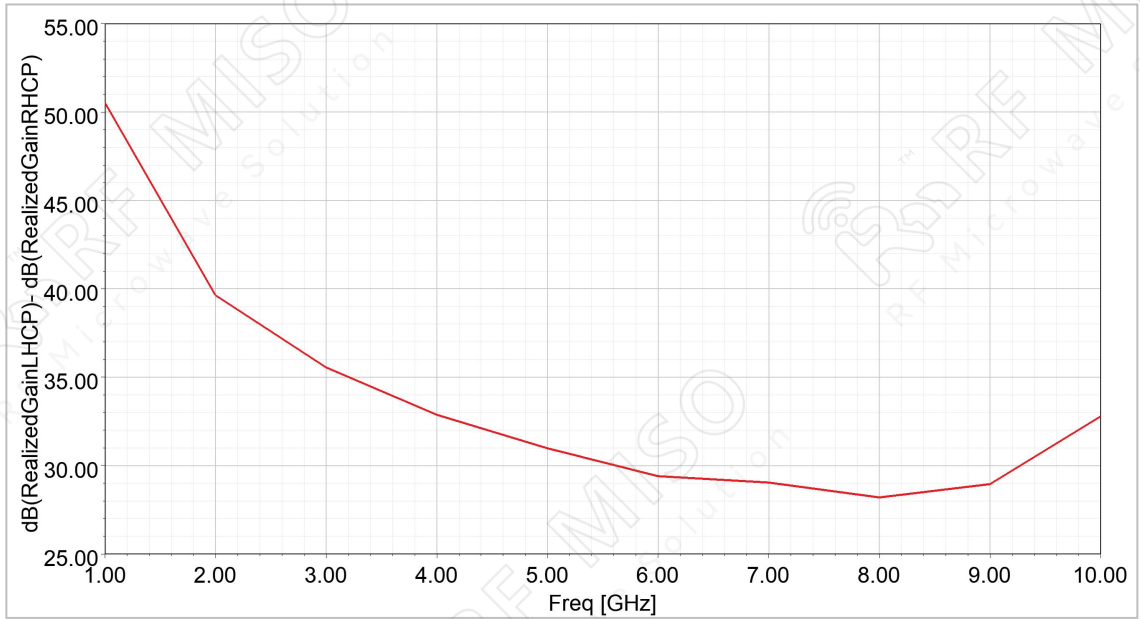


*Dual Circular Polarization Horn Antenna
12 dBi Typ. Gain, 1-10 GHz Frequency Range*

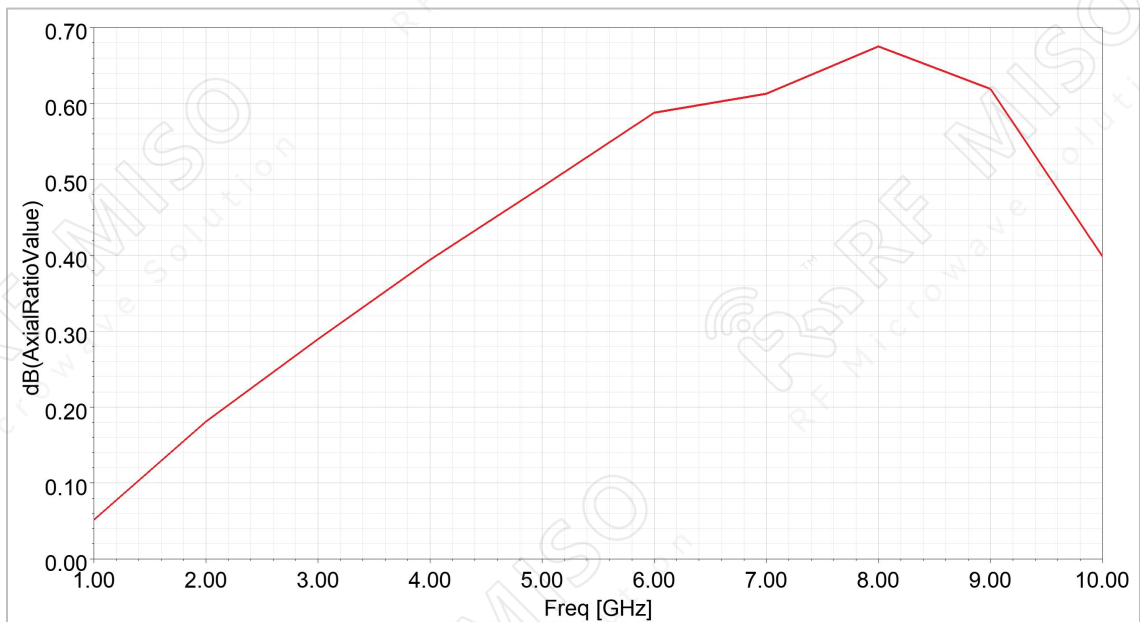
Dual Circular Polarized Horn Antenna Data Sheet

RM-DCPHA110-12

XPD



AR



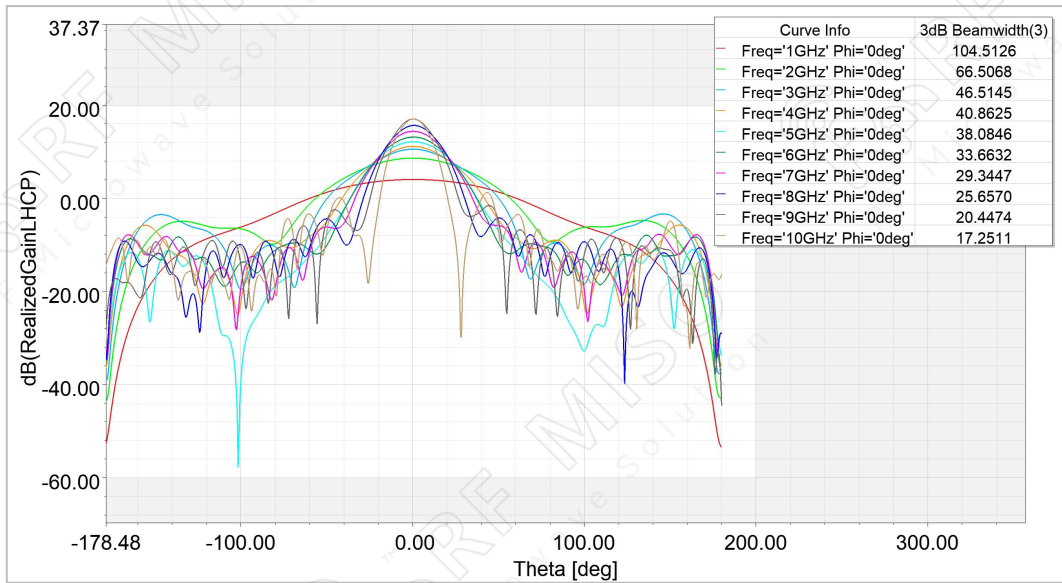
*Dual Circular Polarization Horn Antenna
12 dBi Typ. Gain, 1-10 GHz Frequency Range*

Dual Circular Polarized Horn Antenna Data Sheet

RM-DCPHA110-12

Gain Patterns

E-Plane



H-Plane

