

*Dual Circular Polarized Feed Antenna
8 dBi Typ. Gain, 33-50GHz Frequency Range*

Dual Circular Polarized Feed Antenna Data Sheet

RM-DCPFA3350-8

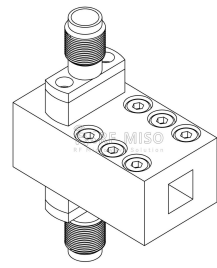
Descriptions

RF MISO's **Model RM-DCPFA3350-8** is a dual circular polarized feed antenna that operates from 33 to 50 GHz, The antenna offers 8 dBi typical gain. The antenna VSWR <2. Through the integration of dual coaxial, OMT, waveguide, efficient feed for independent transmission and reception of dual circular polarization is realized. It's very suitable for low-cost array units and embedded systems.

Specifications

RM-DCPFA3350-8		
Parameters	Typical	Units
Frequency Range	33-50	GHz
Gain	8 Typ.	dBi
VSWR	<2	
Polarization	Dual-Circular	
AR	<2	dB
3dB Beam-width	56.6°-72.8°	dB
XPD	25 Typ.	dB
connector	2.4-Female	
Size (L*W*H)	27.3*40.5*11.1(±5)	mm
Weight	0.041	kg
material	Al	
Power Handling, CW	10	W
Power Handling, Peak	20	W

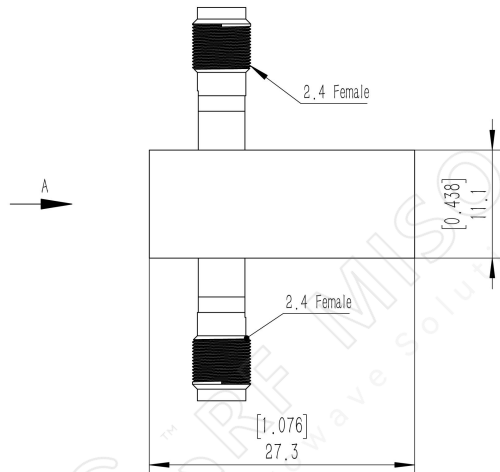
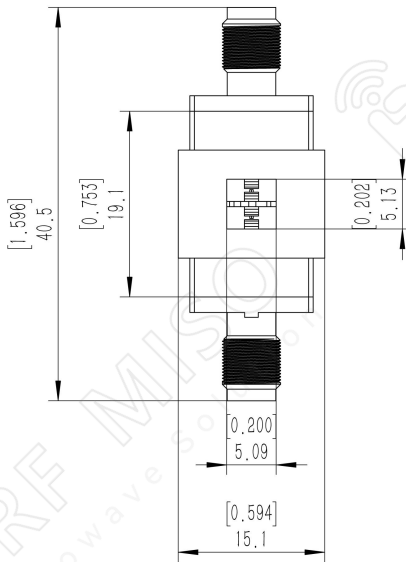
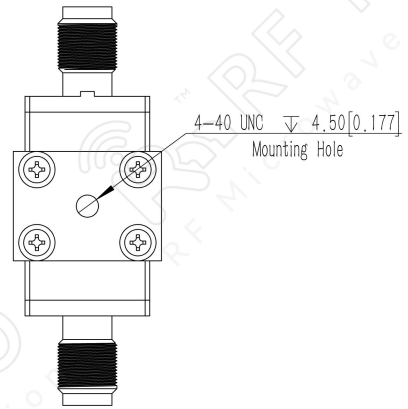
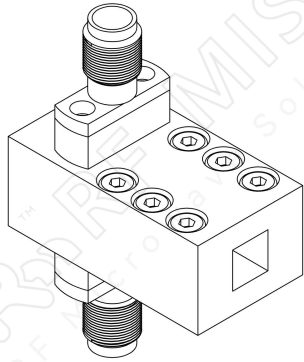
Dual Circular Polarized Feed Antenna
8 dBi Typ. Gain, 33-50GHz Frequency Range

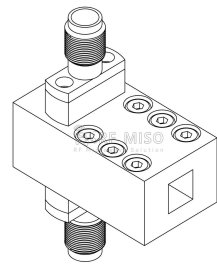


Dual Circular Polarized Feed Antenna Data Sheet

RM-DCPFA3350-8

Outline Drawing





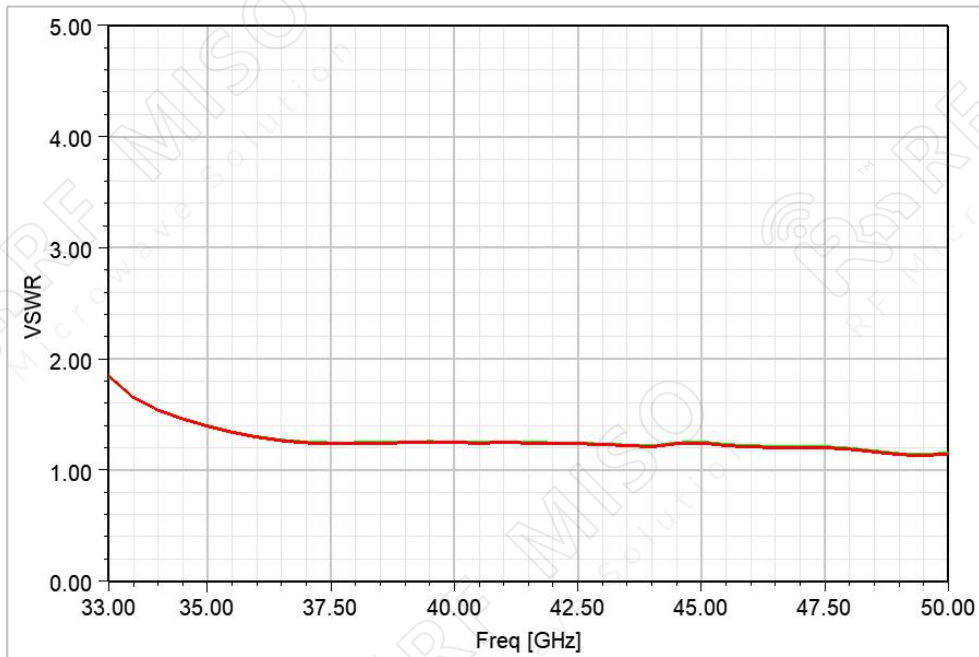
Dual Circular Polarized Feed Antenna
8 dBi Typ. Gain, 33-50GHz Frequency Range

Dual Circular Polarized Feed Antenna Data Sheet

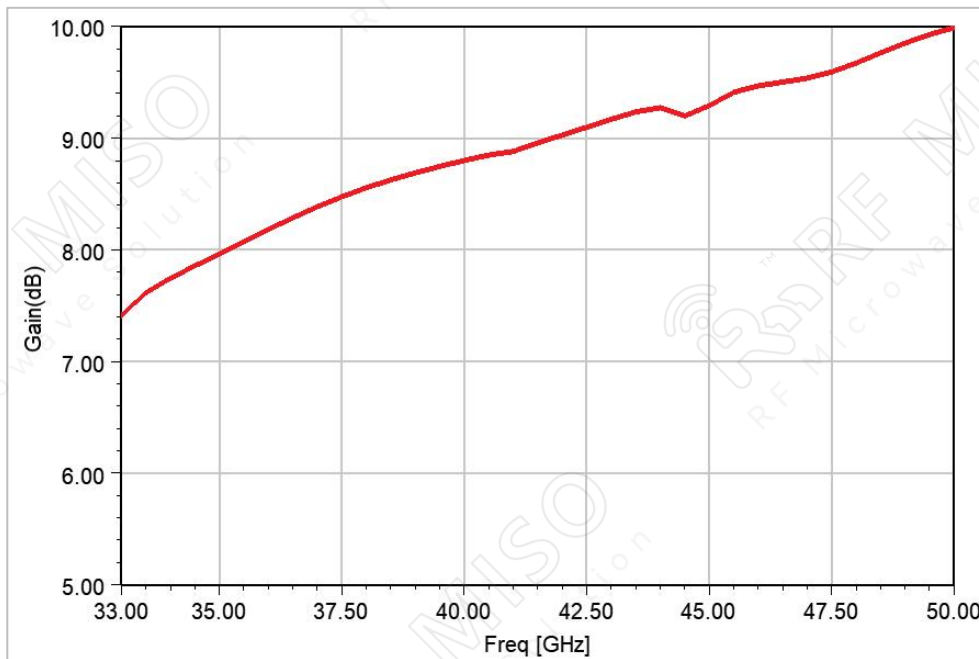
RM-DCPFA3350-8

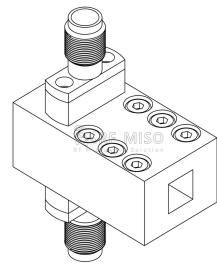
Simulation Results:

VSWR



Gain



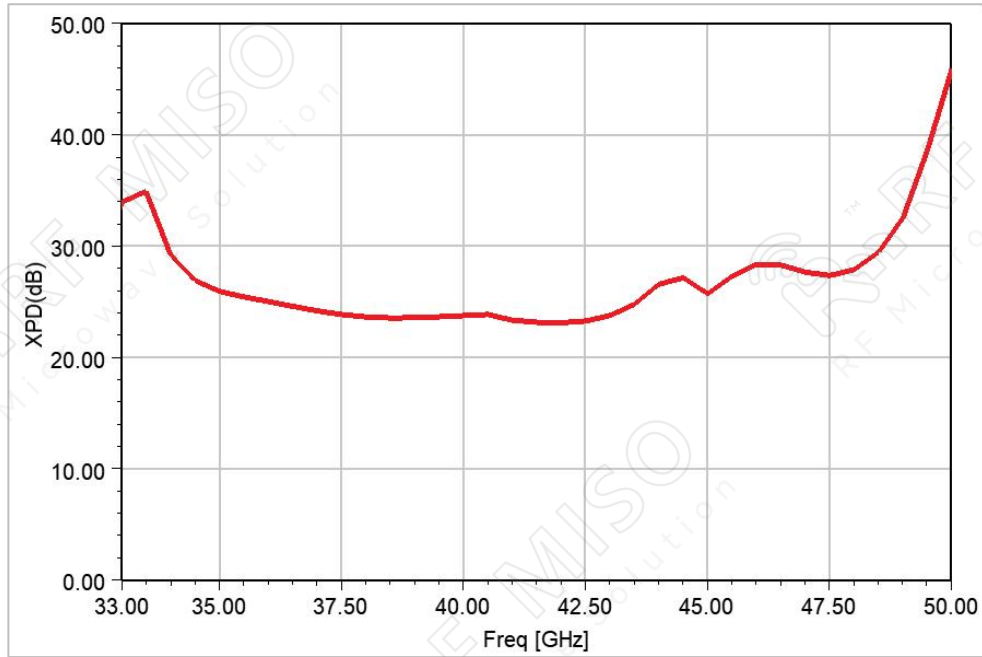


Dual Circular Polarized Feed Antenna
8 dBi Typ. Gain, 33-50GHz Frequency Range

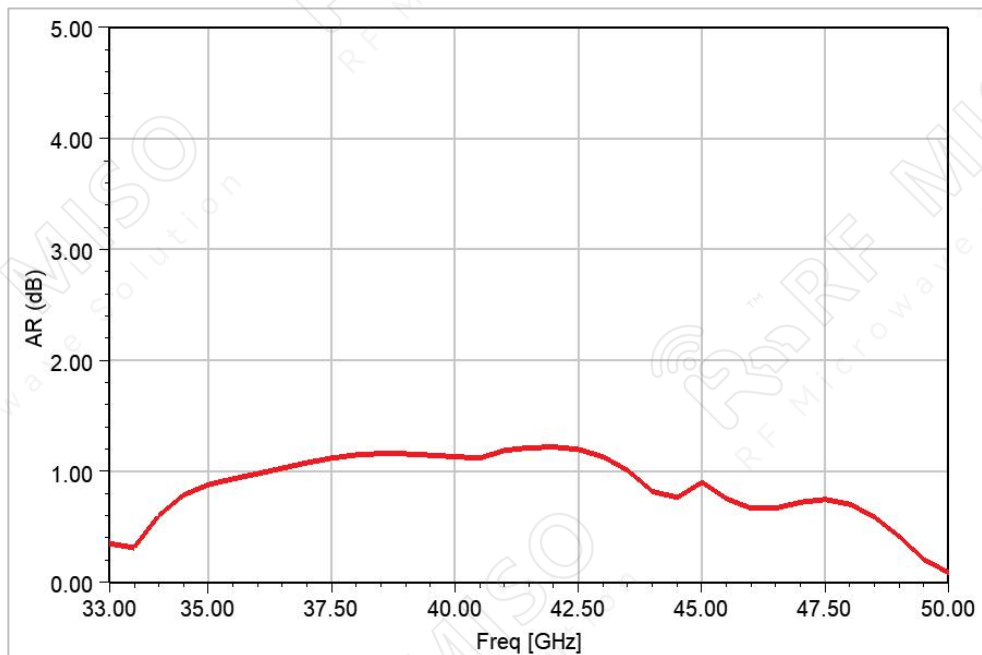
Dual Circular Polarized Feed Antenna Data Sheet

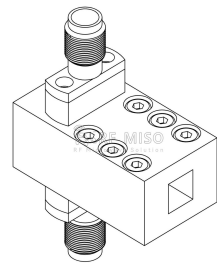
RM-DCPFA3350-8

Cross Polarization



AR





Dual Circular Polarized Feed Antenna
8 dBi Typ. Gain, 33-50GHz Frequency Range

Dual Circular Polarized Feed Antenna Data Sheet

RM-DCPFA3350-8

Pattern

