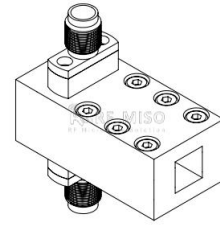


Dual Circular Polarized Feed Antenna
8 dBi Typ. Gain, 26.5-40GHz Frequency Range



Dual Circular Polarized Feed Antenna Data Sheet

RM-DCPFA2640-8

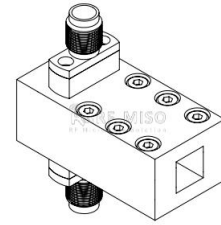
Descriptions

RF MISO's **Model RM-DCPFA2640-8** is a dual circular polarized feed antenna that operates from 26.5 to 40 GHz, The antenna offers 8 dBi typical gain. The antenna VSWR <2.2. Through the integration of dual coaxial, OMT, waveguide, efficient feed for independent transmission and reception of dual circular polarization is realized. It's very suitable for low-cost array units and embedded systems.

Specifications

RM-DCPFA2640-8		
Parameters	Typical	Units
Frequency Range	26.5-40	GHz
Gain	8 Typ.	dBi
VSWR	<2.2	
Polarization	Dual-Circular	
AR	<2	dB
3dB Beam-width	57.12°-73.63°	dB
XPD	25 Typ.	dB
connector	2.92-Female	
Size (L*W*H)	32.5*39.2*12.4(±5)	mm
Weight	0.053	kg
material	Al	
Power Handling, CW	20	W
Power Handling, Peak	40	W

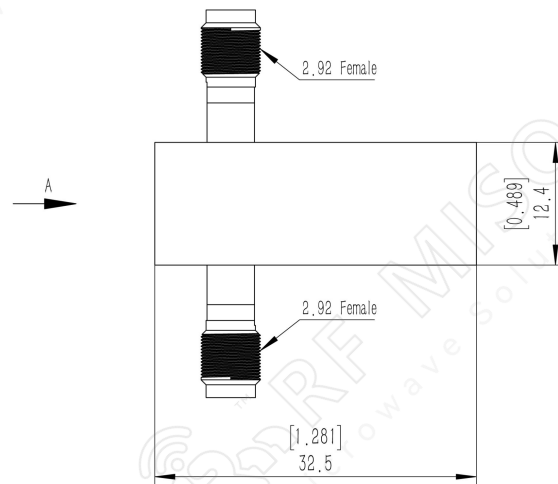
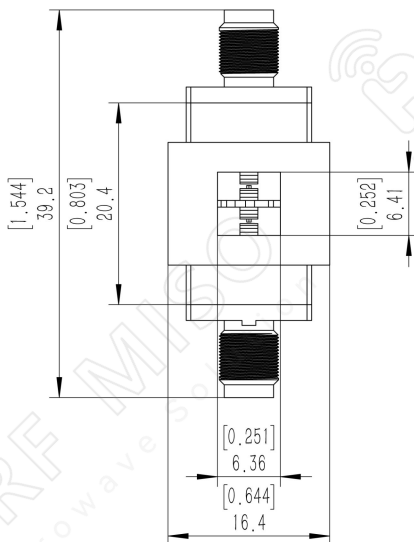
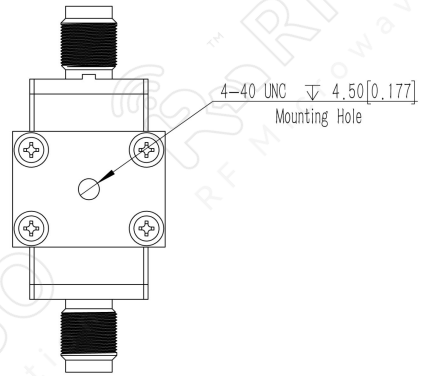
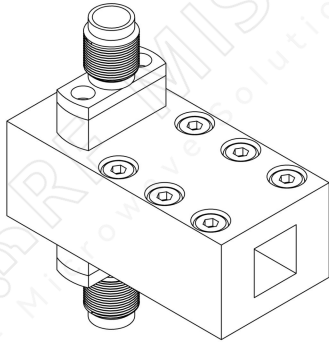
Dual Circular Polarized Feed Antenna
8 dBi Typ. Gain, 26.5-40GHz Frequency Range



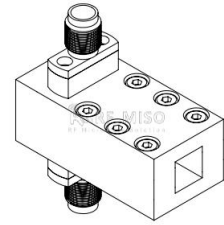
Dual Circular Polarized Feed Antenna Data Sheet

RM-DCPFA2640-8

Outline Drawing



Dual Circular Polarized Feed Antenna
8 dBi Typ. Gain, 26.5-40GHz Frequency Range

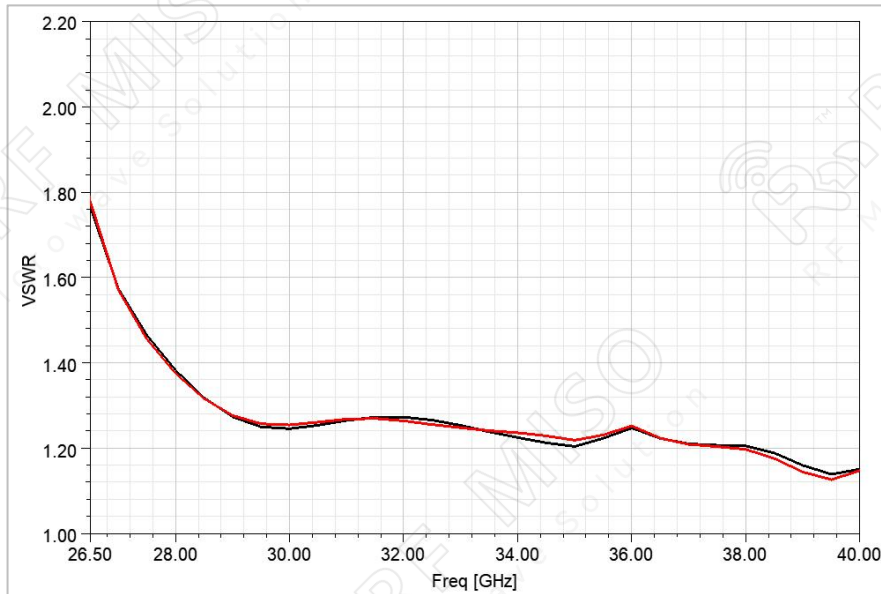


Dual Circular Polarized Feed Antenna Data Sheet

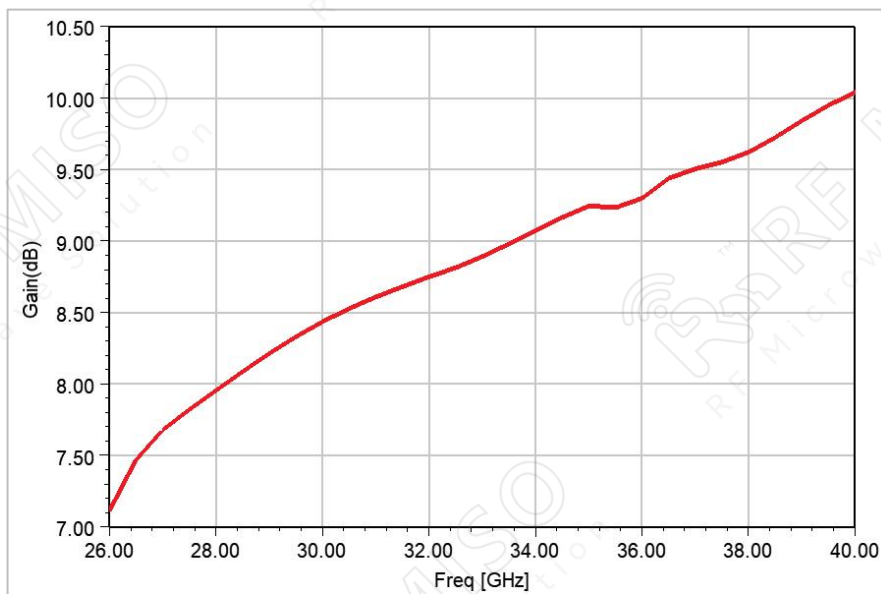
RM-DCPFA2640-8

Simulation Results:

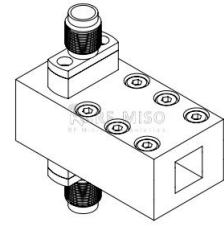
VSWR



Gain



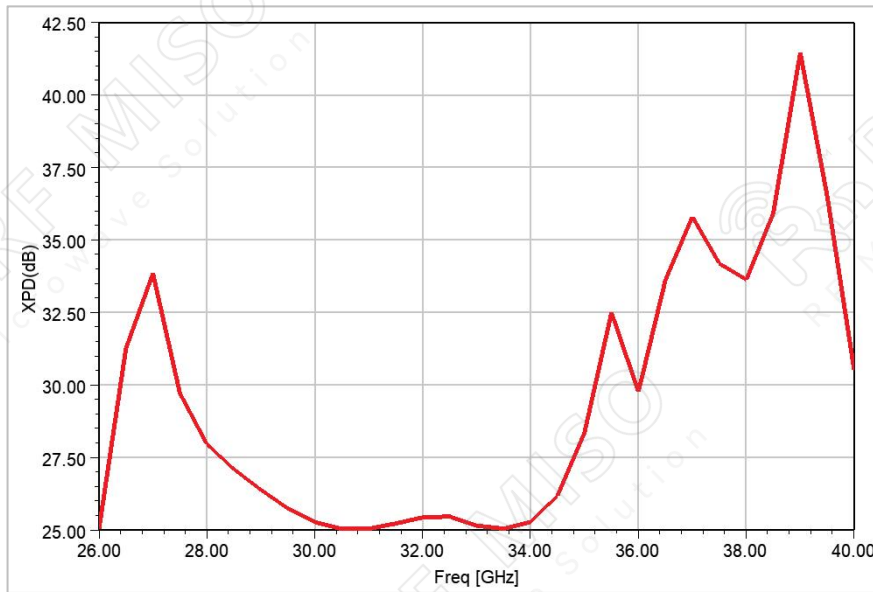
Dual Circular Polarized Feed Antenna
8 dBi Typ. Gain, 26.5-40GHz Frequency Range



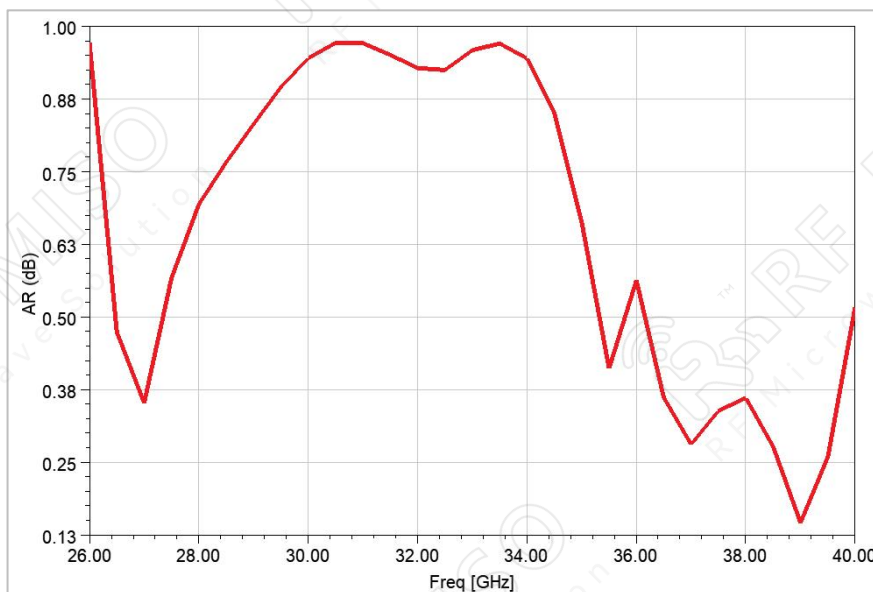
Dual Circular Polarized Feed Antenna Data Sheet

RM-DCPFA2640-8

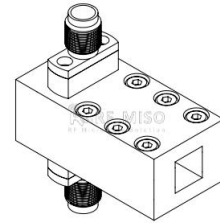
Cross Polarization



AR



Dual Circular Polarized Feed Antenna
8 dBi Typ. Gain, 26.5-40GHz Frequency Range



Dual Circular Polarized Feed Antenna Data Sheet

RM-DCPFA2640-8

Pattern

