



Conical Horn Antenna
8-12 GHz Frequency Range, 15 dBi Typ. Gain

Conical Horn Antenna Data Sheet

RM-CHA90-15

Features

- Low VSWR
- Small Size
- Broadband Operation
- Light weight

Descriptions

RF MISO's **Model RM-CHA90-15** is a conical horn antenna that operates from 8 to 12GHz, The antenna offers 15 dBi typical gain. The antenna VSWR is 1.3:1 typical. It can be widely used in EMI detection, orientation, reconnaissance, antenna gain and pattern measurement and other application fields.

Specifications

RM-CHA90-15		
Parameters	Typical	Units
Frequency Range	8-12	GHz
Gain	15 Typ.	dBi
VSWR	1.3 Typ.	
3db Beamwidth	E-Plane:28.08 Typ. H-Plane:32.91 Typ.	dB
Cross Polarization	55 Typ.	dB
Connector	SMA-Female	
Waveguide	WR90	
Finishing	Paint	
Size (L*W*H)	114.6*Ø68.2(±5)	mm
Weight	0.14	kg

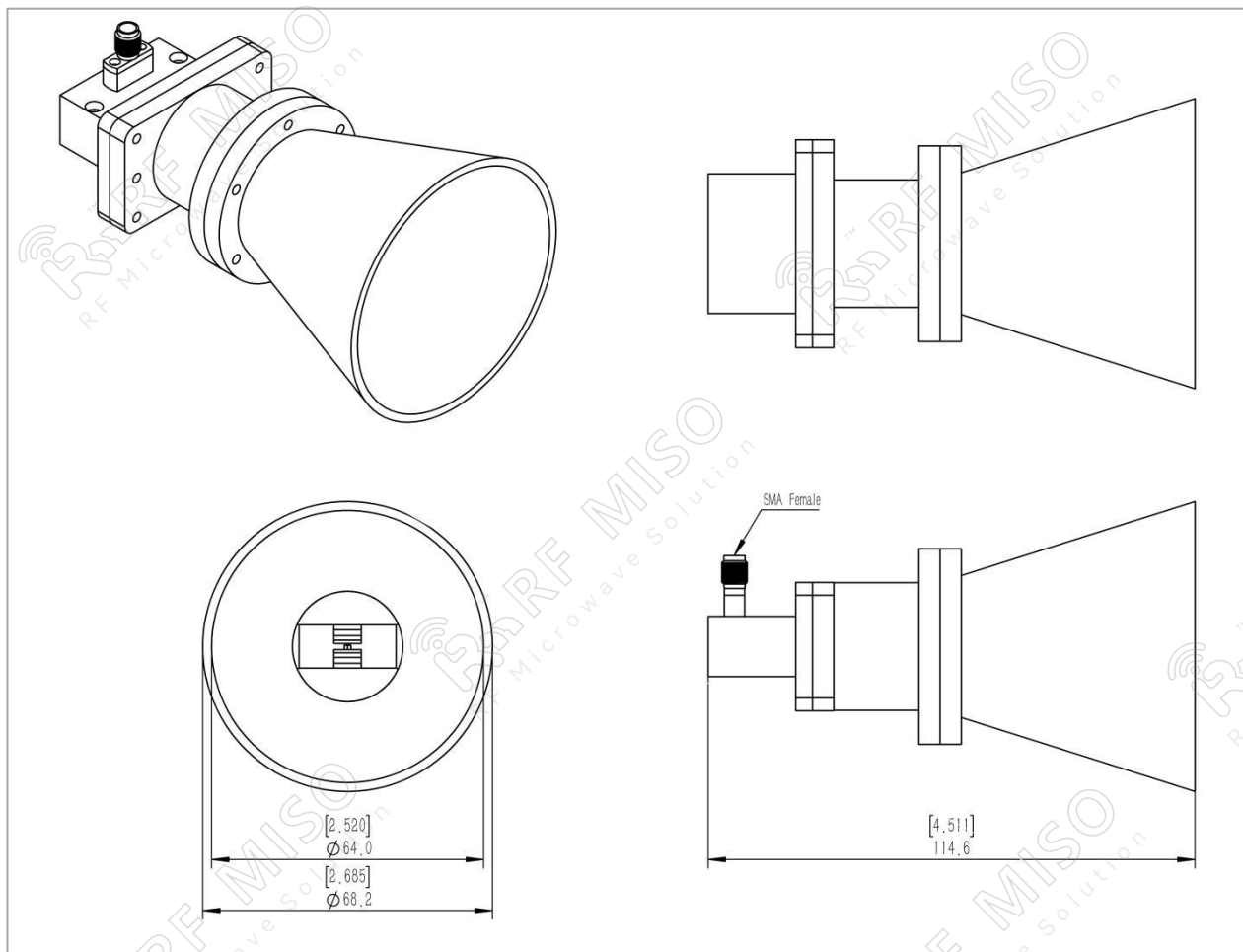


Conical Horn Antenna
8-12 GHz Frequency Range, 15 dBi Typ. Gain

Conical Horn Antenna Data Sheet

RM-CHA90-15

Outline Drawing





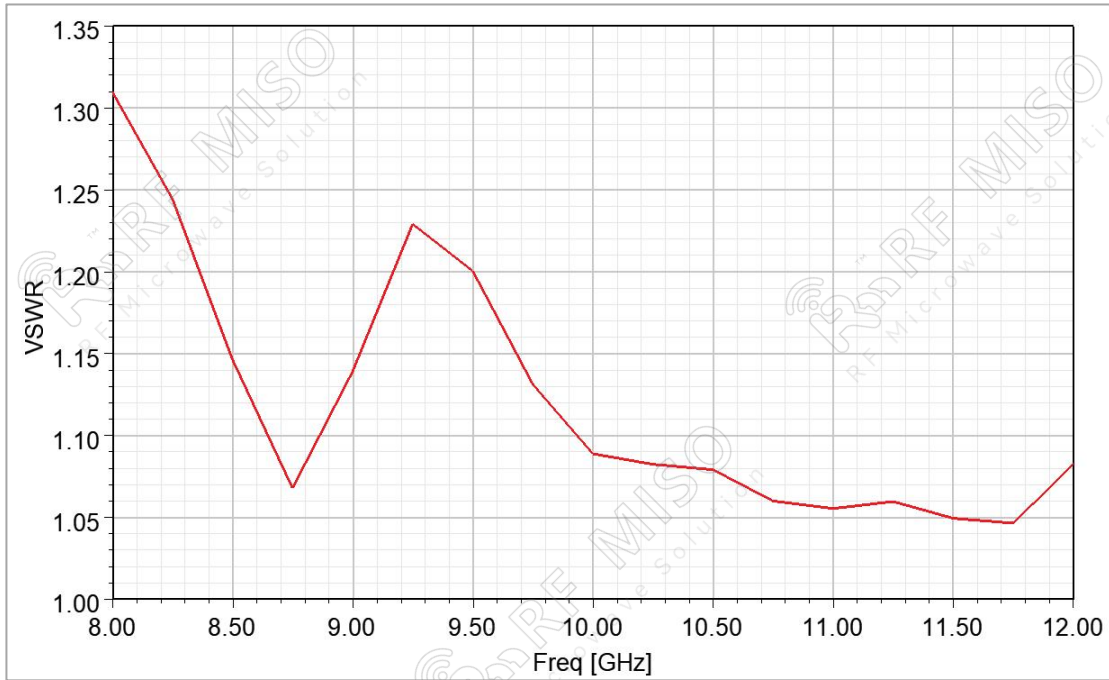
Conical Horn Antenna
8-12 GHz Frequency Range, 15 dBi Typ. Gain

Conical Horn Antenna Data Sheet

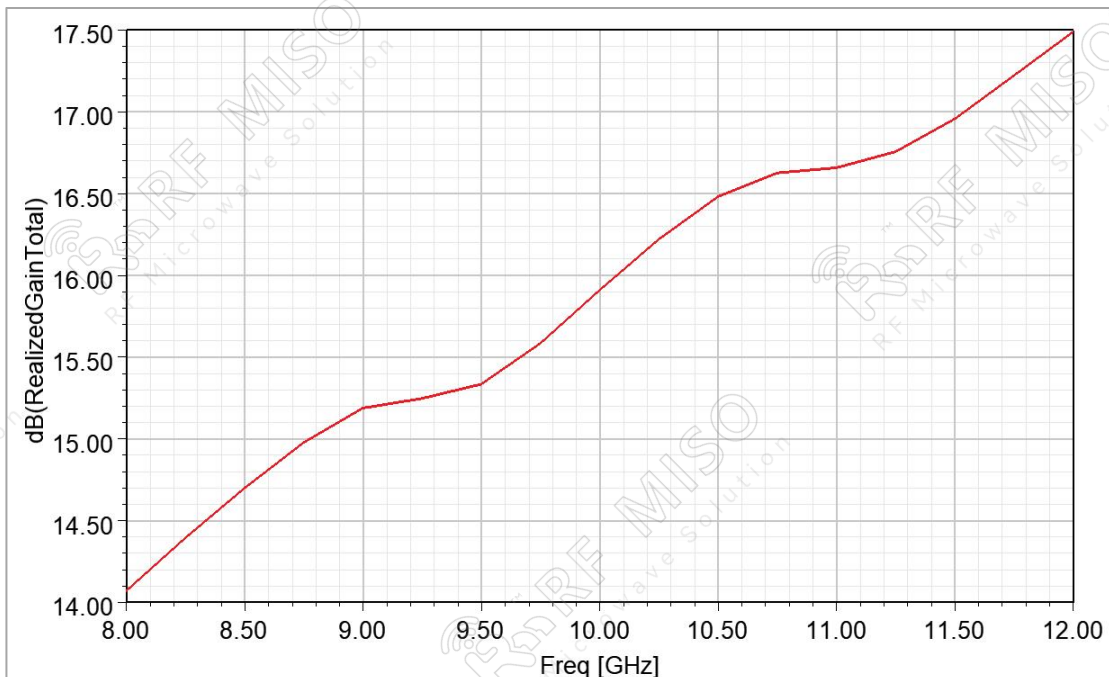
RM-CHA90-15

Simulated Results

VSWR



Gain



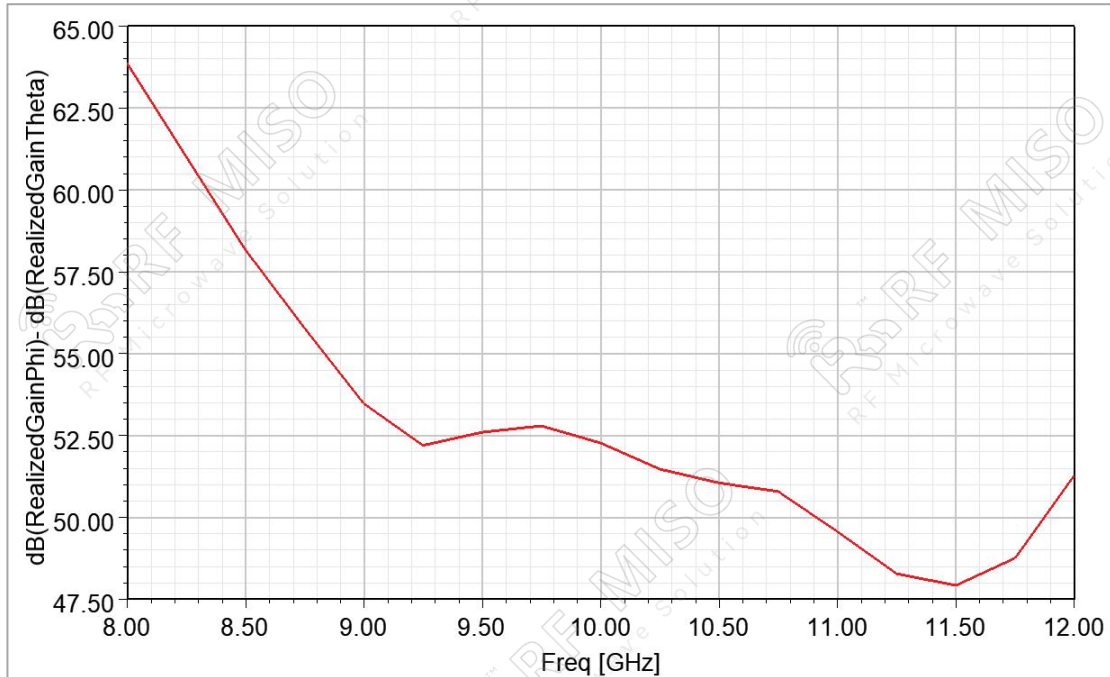


Conical Horn Antenna
8-12 GHz Frequency Range, 15 dBi Typ. Gain

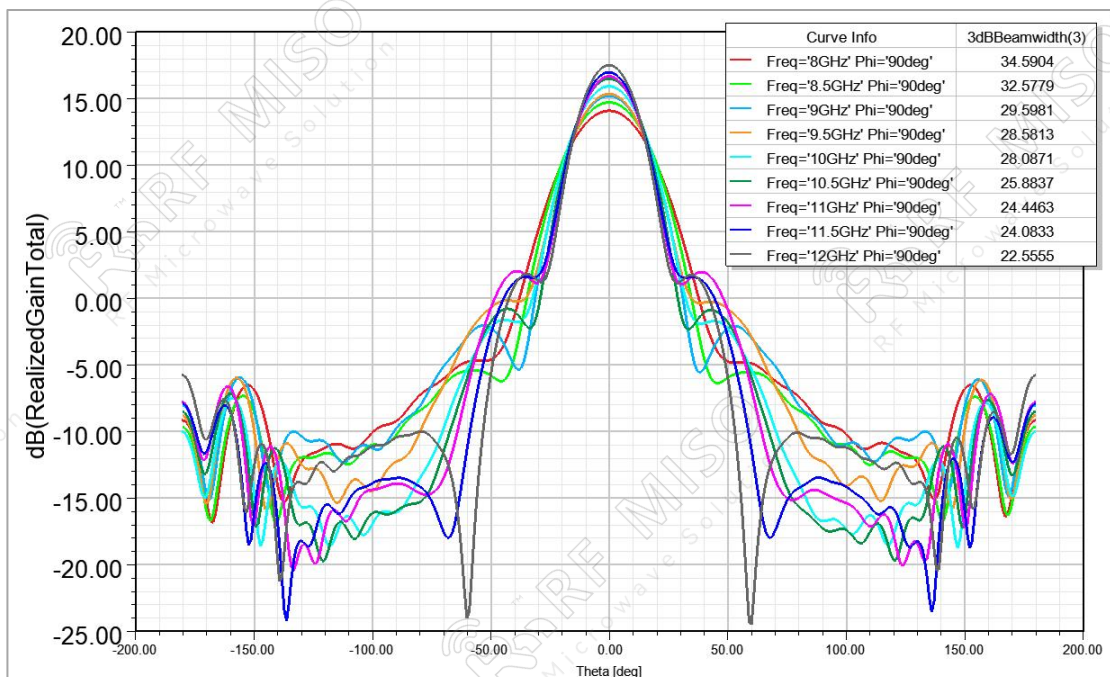
Conical Horn Antenna Data Sheet

RM-CHA90-15

Cross



Pattern_E Plane





Conical Horn Antenna
8-12 GHz Frequency Range, 15 dBi Typ. Gain

Conical Horn Antenna Data Sheet

RM-CHA90-15

Pattern_H Plane

