

*Conical Horn Antenna 25dBi Typ.Gain, 110-170 GHz  
Frequency Range*

**Conical Horn Antenna Data Sheet**

**RM-CHA6-25**

**Features**

- Full Band Performance
- Linear Polarization
- High Isolation
- Precisely Machined and Gold Plated

**Description**

The **RM-CHA6-25** is a full-band, linear-polarized horn antenna assembly that operates in the frequency range of 110 to 170 GHz. The antenna offers a typical gain of 25 dBi and low VSWR 1.1 Typ.. The input to the antenna is a WR-6 waveguide. It can be widely used in EMI detection, orientation, reconnaissance, antenna gain and pattern measurement and other application fields.

**Specifications**

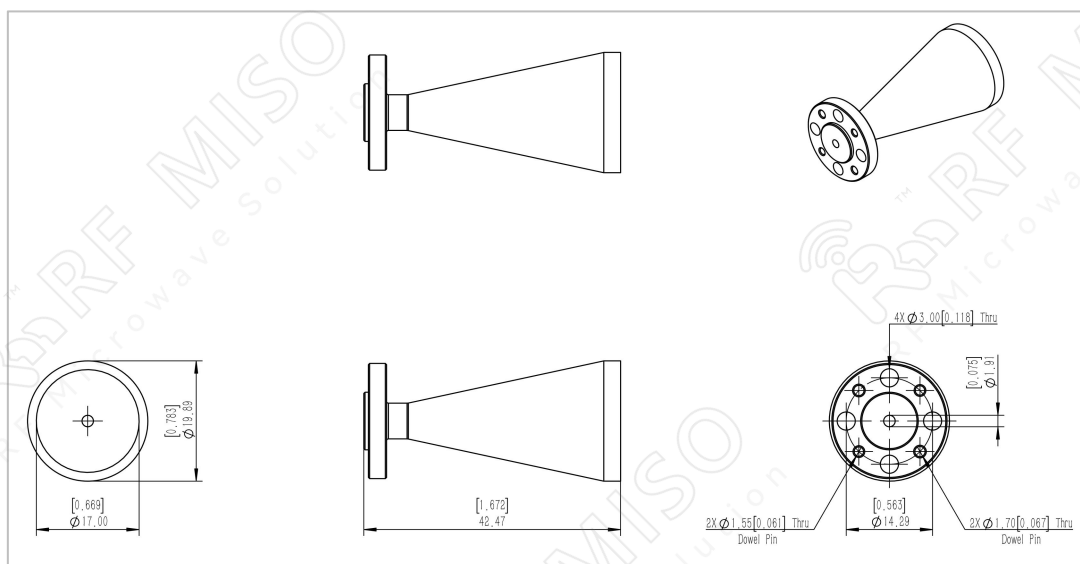
RM-CHA6-25		
Item	Specification	Units
Frequency Range	110-170	GHz
Gain	25 Typ.	dBi
VSWR	1.1 Typ.	
Polarization	Linear	
Cross Polarization	40	dB
3dB Beamwidth, E-Plane	8.78~12.96	°
3dB Beamwidth, H-Plane	8.01~11.50	°
Size(L*W*H)	42.47*Ø19.89(±5)	mm
Weight	0.029	Kg
Material and Finish	Cu, Gold	
Waveguide Size	WR-6	

Conical Horn Antenna 25dBi Typ.Gain, 110-170 GHz  
Frequency Range

**Conical Horn Antenna Data Sheet**

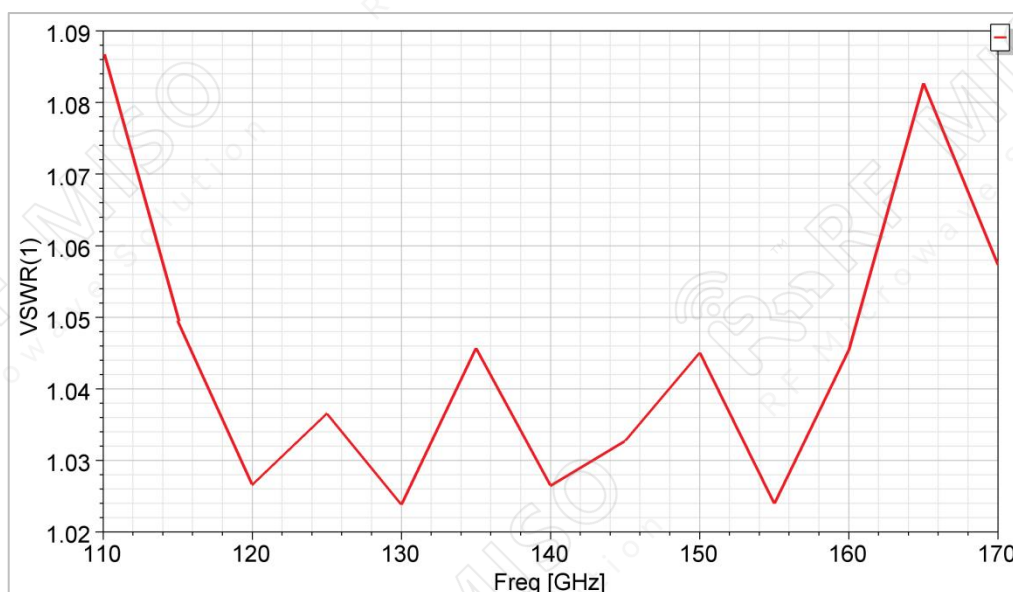
**RM-CHA6-25**

**Outline Drawing**



**Simulated Result**

VSWR

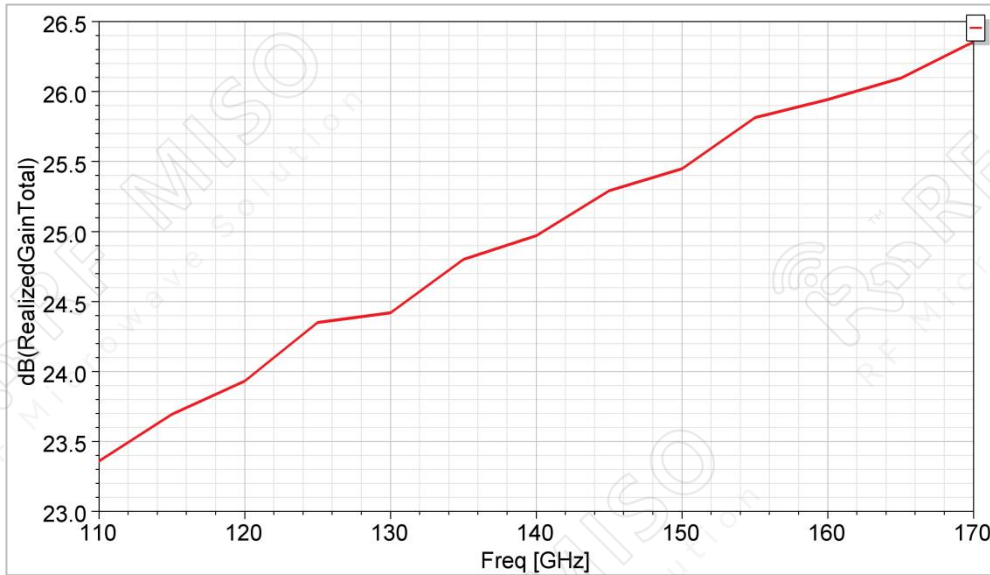


Conical Horn Antenna 25dBi Typ.Gain, 110-170 GHz  
Frequency Range

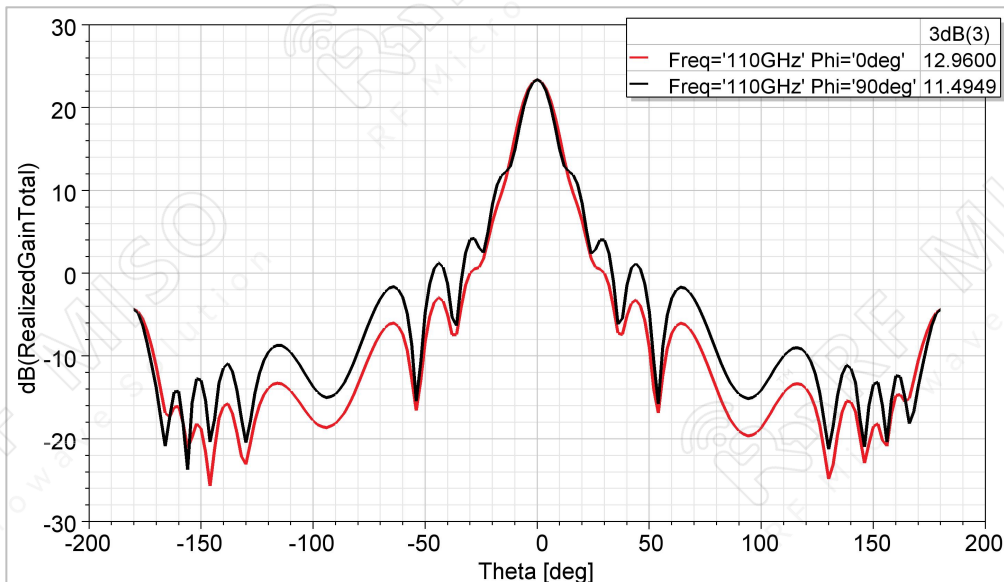
**Conical Horn Antenna Data Sheet**

**RM-CHA6-25**

Gain



Gain Pattern

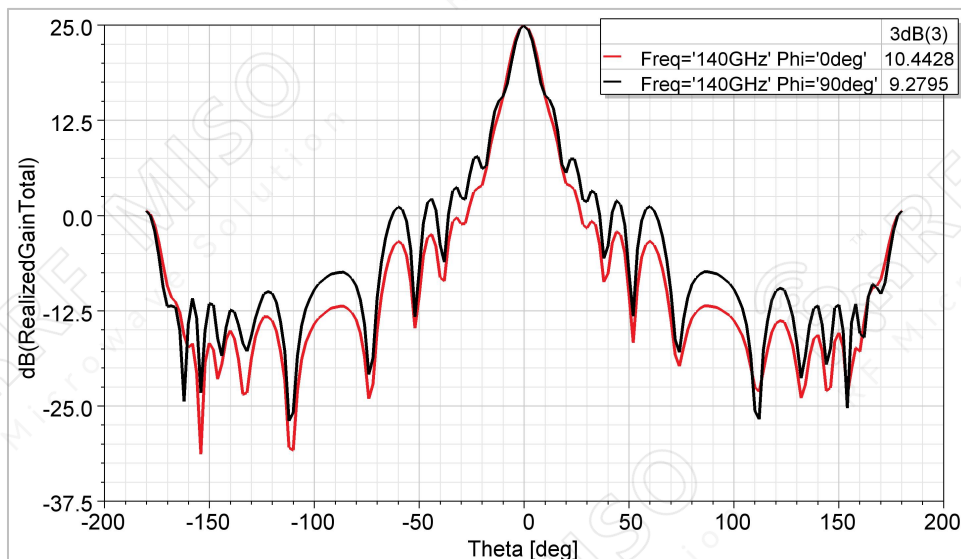


110 GHz

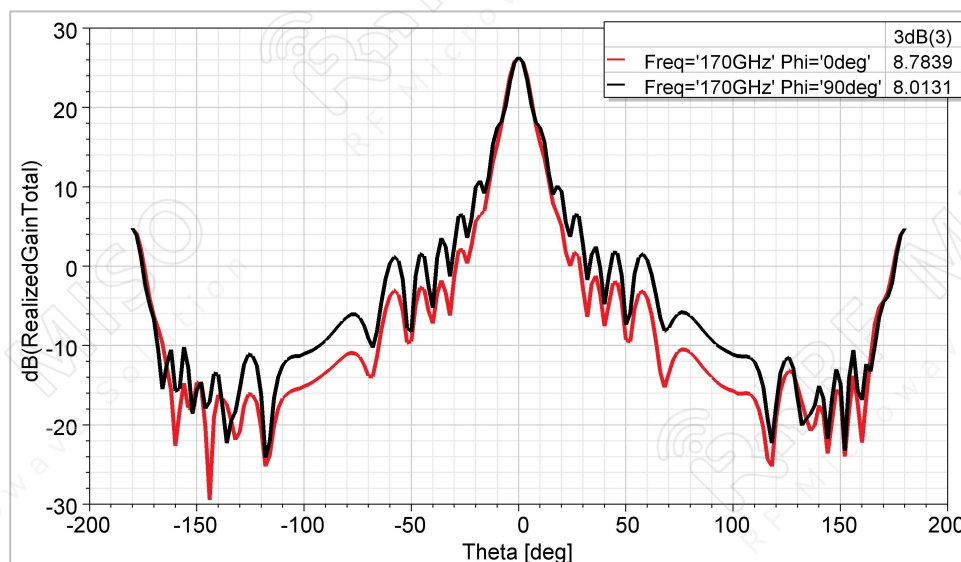
Conical Horn Antenna 25dBi Typ.Gain, 110-170 GHz  
Frequency Range

**Conical Horn Antenna Data Sheet**

**RM-CHA6-25**



140 GHz



170 GHz