

Linear Polarization Corrugated Horn Antenna  
 15dBi Gain, 26.5-40GHz Frequency Range



## Corrugated Horn Antenna Data Sheet

**RM-CGHA28-15**

### Description

Linear-polarized corrugated horn antenna RM-CGHA28-15, operating frequency 26.5 to 40 GHz, gain 15dB Typ., VSWR 1.2 Typ., equipped with rectangular waveguide WR28 output. The waveguide flange is UG-599/U; a 2.92mm-Female output is also available. It's Widely used in 5G and millimeter wave, radar systems, satellite communications, etc.

### Specifications

RM-CGHA28-15			
Parameters	Specification		Unit
Frequency Range	26.5-40		GHz
Gain	15 Typ.		dBi
VSWR	1.2 Typ.		
E-plane Beamwidth(3dB)	26 Typ.		Deg
H-plane Beamwidth(3dB)	25 Typ.		Deg
E-plane Side Lobe Level	25 min		dB
H-plane Side Lobe Level	30 min		dB
Cross Polarization	40 Typ.		dB
Polarization	Linear		
Waveguide Type	Rectangular		
Waveguide Size	WR28		
C-Type Output	Waveguide UG-599/U		
F-Type Output	2.92mm-Female		
Material and Finishing	Cu, Gold Plated		
C-Type, Size(L*W*H)	50.7*Ø35.9(±5)		mm
C-Type, Weight	0.106		kg
F-Type, Size(L*W*H)	70.7*Ø35.9(±5)		mm
F-Type, Weight	0.115		kg
Power Handling	CW:20	Peak:40	W

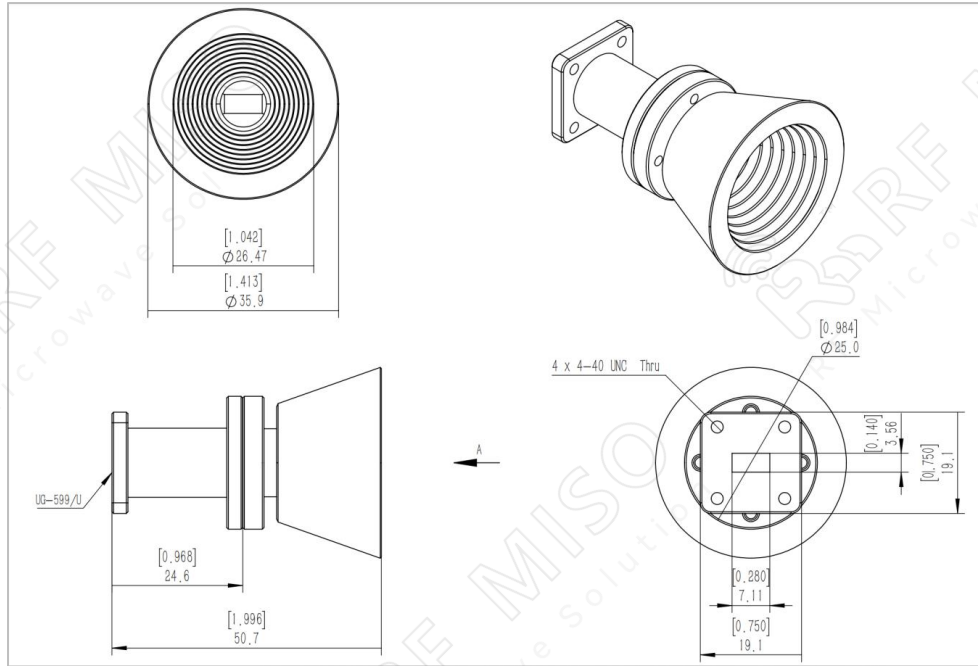
Linear Polarization Corrugated Horn Antenna  
15dBi Gain, 26.5-40GHz Frequency Range



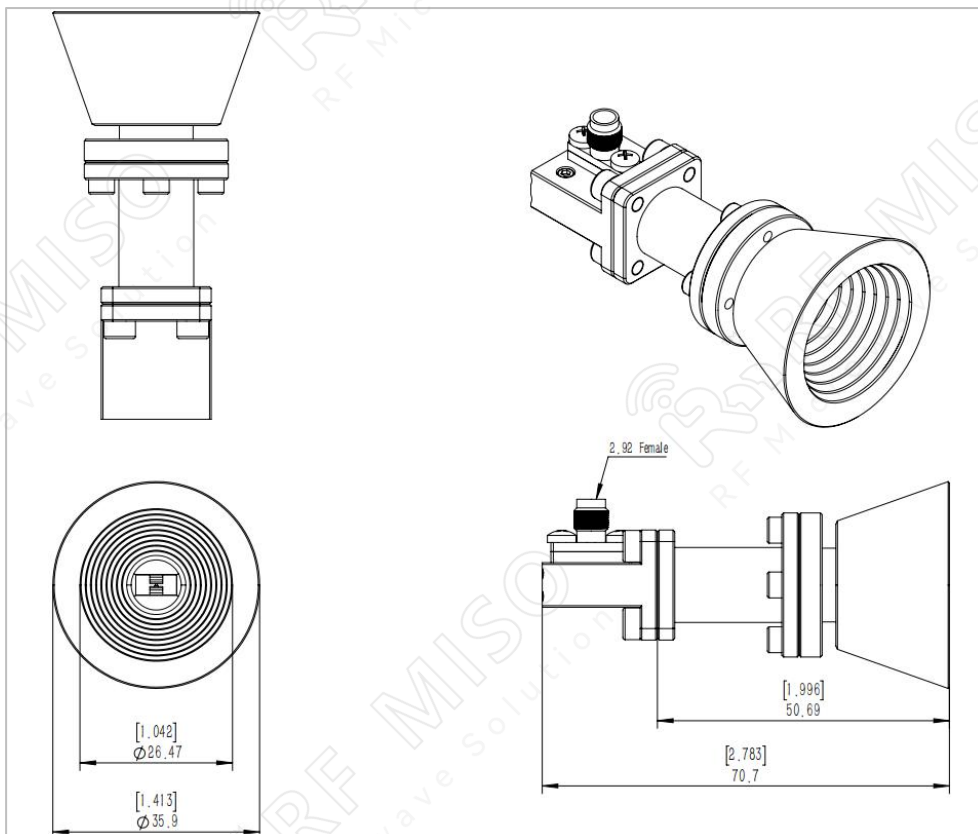
**Corrugated Horn Antenna Data Sheet**

**RM-CGHA28-15**

**C-Type Outline Drawing (P/N:RM-CGHA28-15C)**



**F-Type Outline Drawing (P/N:RM-CGHA28-15F)**



Linear Polarization Corrugated Horn Antenna  
15dBi Gain, 26.5-40GHz Frequency Range

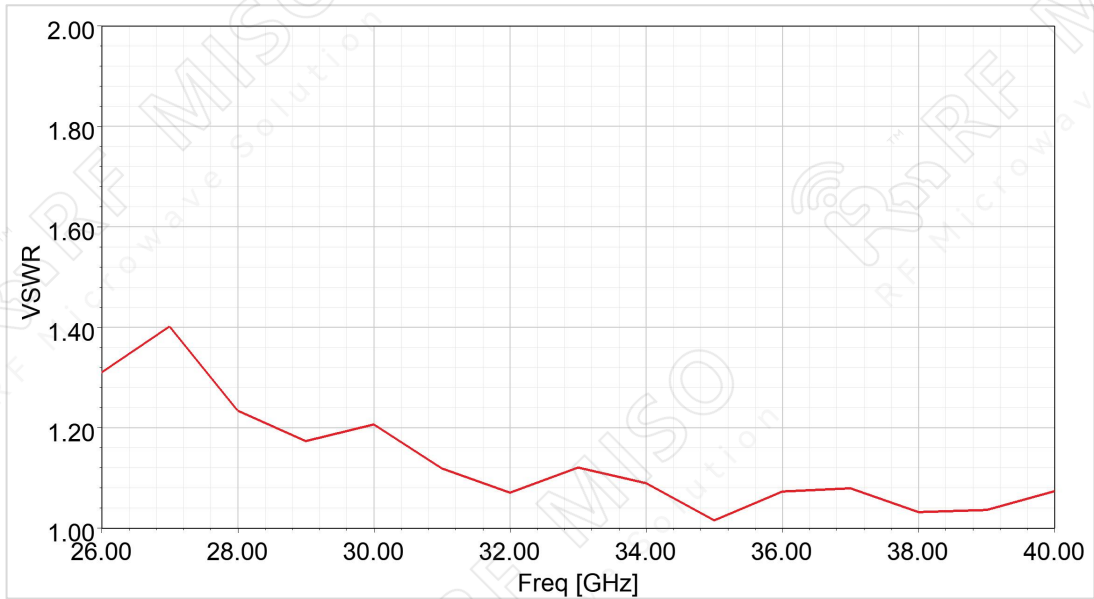


## Corrugated Horn Antenna Data Sheet

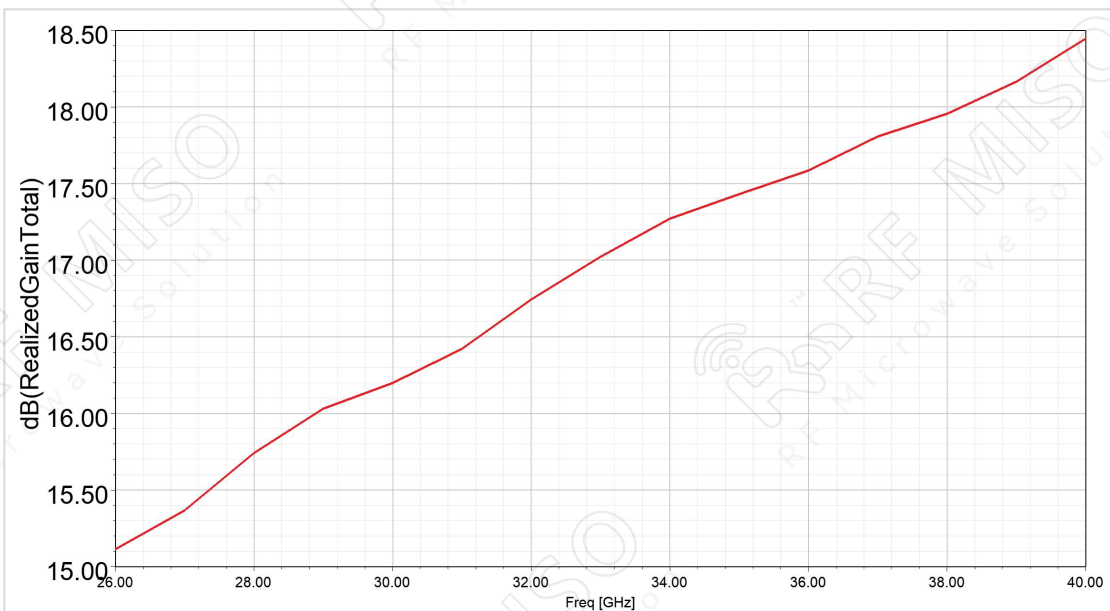
RM-CGHA28-15

### Simulated Results

VSWR



Gain



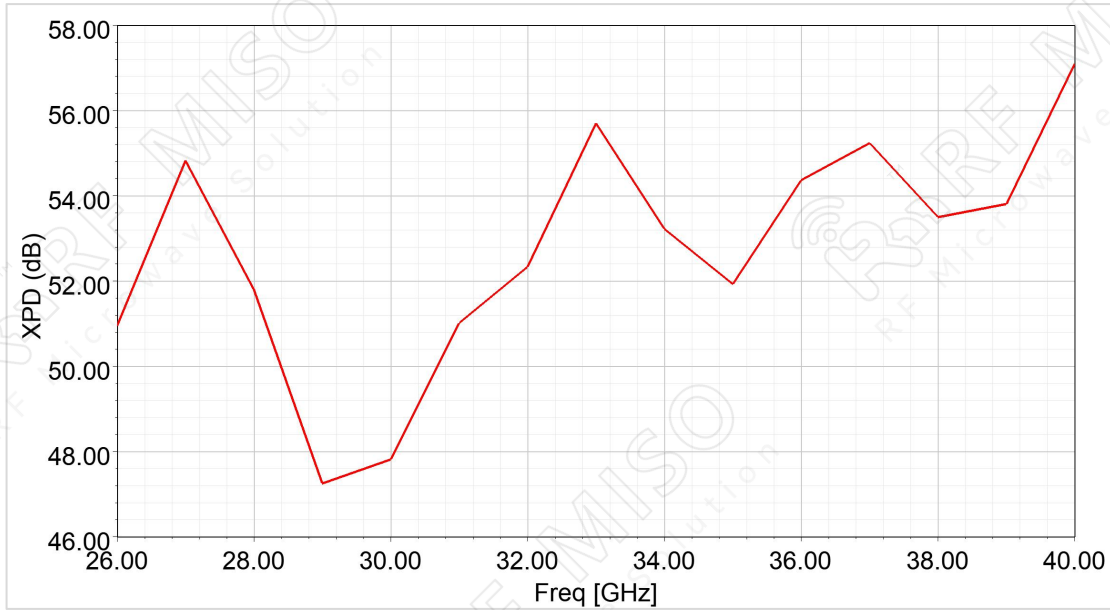
Linear Polarization Corrugated Horn Antenna  
15dBi Gain, 26.5-40GHz Frequency Range



**Corrugated Horn Antenna Data Sheet**

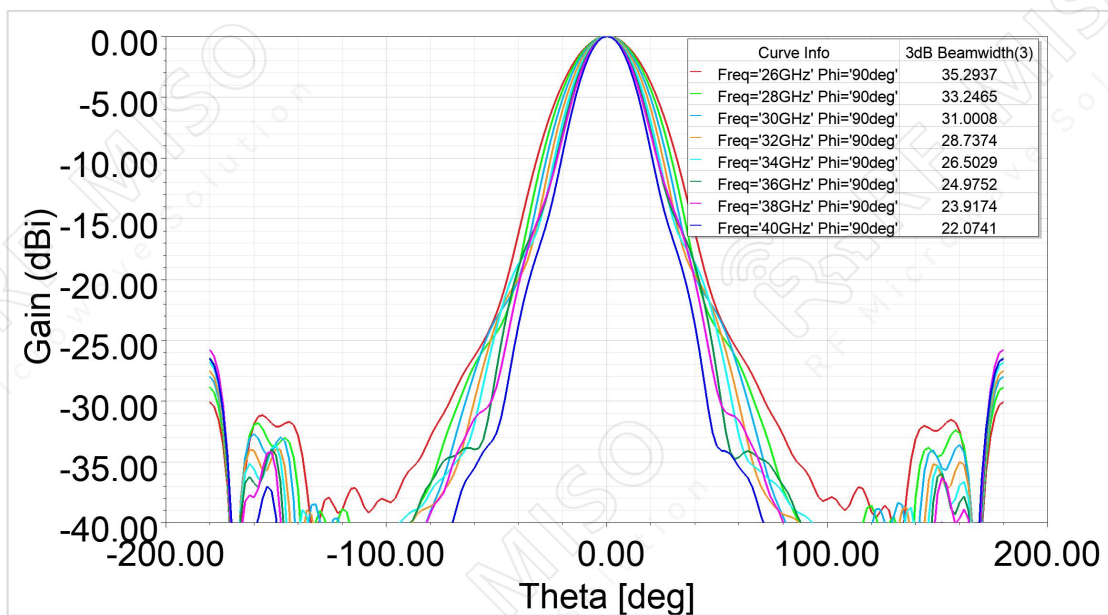
**RM-CGHA28-15**

**XPD**



**Gain Pattern**

E-plane



Linear Polarization Corrugated Horn Antenna  
15dBi Gain, 26.5-40GHz Frequency Range



**Corrugated Horn Antenna Data Sheet**

**RM-CGHA28-15**

H-plane

