



*Broadband Dual Polarized Horn Antenna  
14 dBi Typ. Gain, 3GHz-6GHz Frequency Range*

## Broadband Dual Horn Antenna Data Sheet

**RM-BDPHA36-15**

### Description

The **RM-BDPHA36-15** from RF MISO is a broadband dual polarized horn antenna that operates from 3 to 6GHz. The antenna offers a typical gain of 14 dBi and VSWR1.5:1 with an SMA Female coaxial connector. The antenna is used in a variety of applications such as microwave testing, satellite antenna testing, direction finding, surveillance, plus EMC and antenna measurements.

### Specifications

RM-BDPHA36-15			
Item	Specification		Units
Frequency Range	3-6		GHz
Gain	14 Typ.		dBi
VSWR	1.5:1 Typ.		
Cross-Polarization	40 Typ.		dB
Port to Port Isolation	40 Typ.		dB
3dB Beamwidth	E-Plane_20.06~29.58		°
3dB Beamwidth	H-Plane_24.19~47.19		°
Polarization	Dual Linear		
Connector	SMA-Female		
Material	Al		
Surface Treatment	Paint		
Size	395.8*218.0*228.13		mm
Weight	4.366		kg
Power Handling	CW:50	Peak:100	W

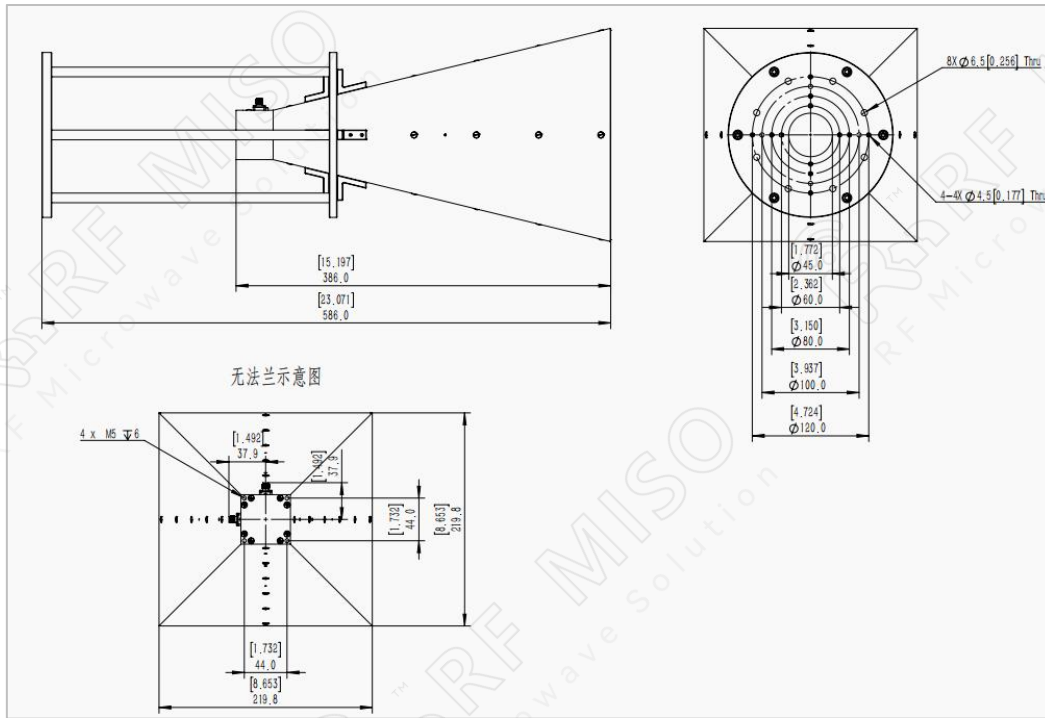


Broadband Dual Polarized Horn Antenna  
14 dBi Typ. Gain, 3GHz-6GHz Frequency Range

**Broadband Dual Horn Antenna Data Sheet**

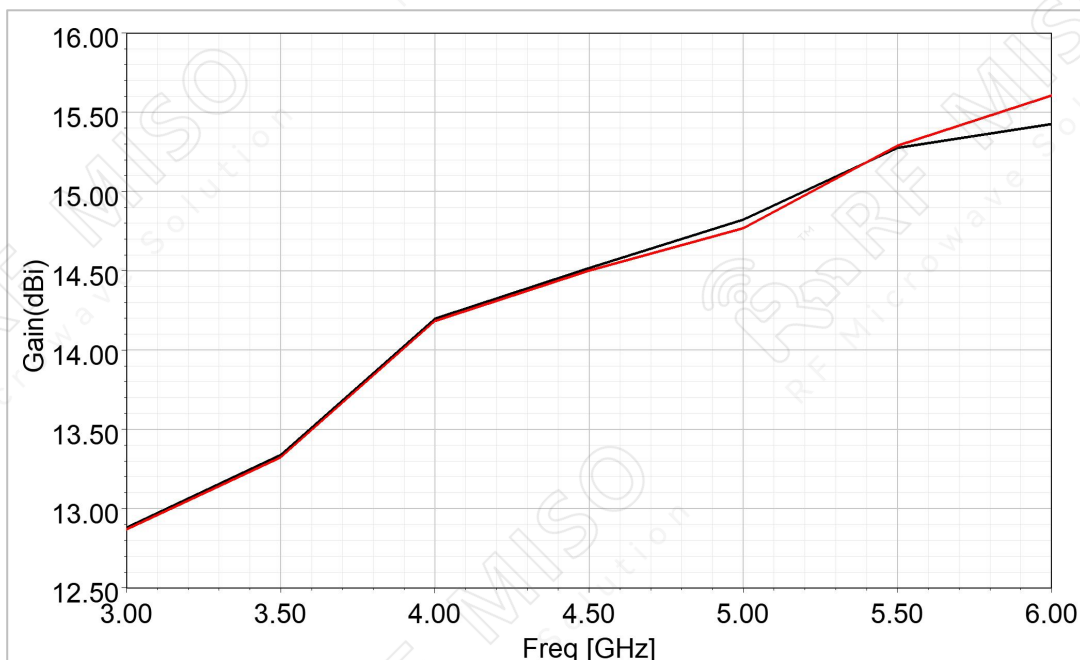
**RM-BDPHA36-15**

**Outline Drawing (Size: mm)**



**Simulated Data**

**Gain**



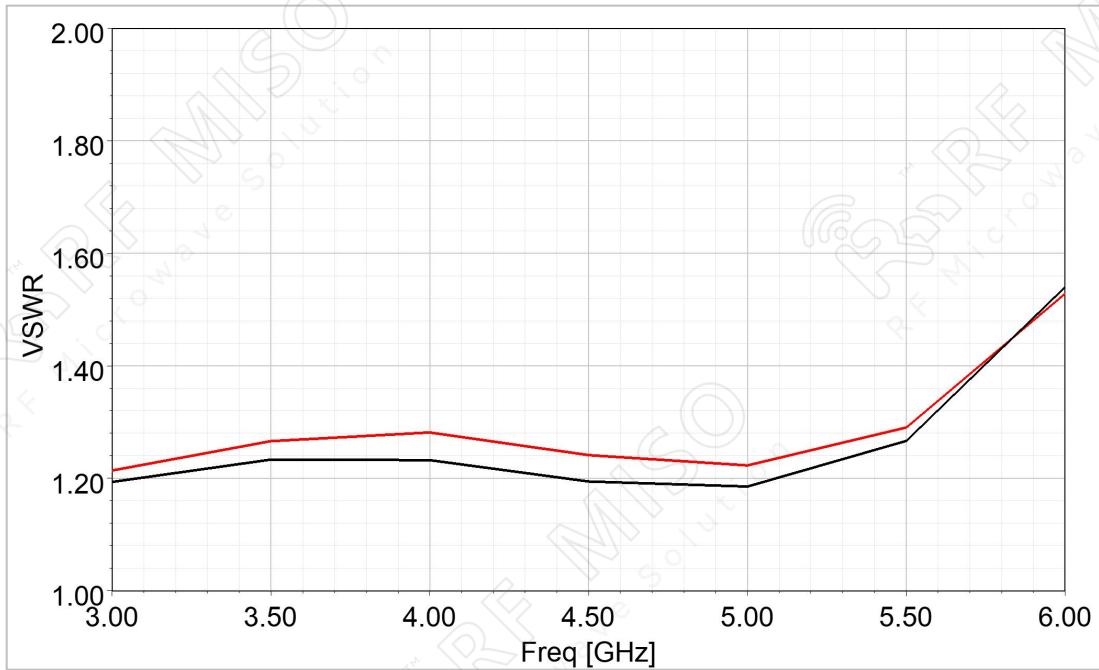


Broadband Dual Polarized Horn Antenna  
14 dBi Typ. Gain, 3GHz-6GHz Frequency Range

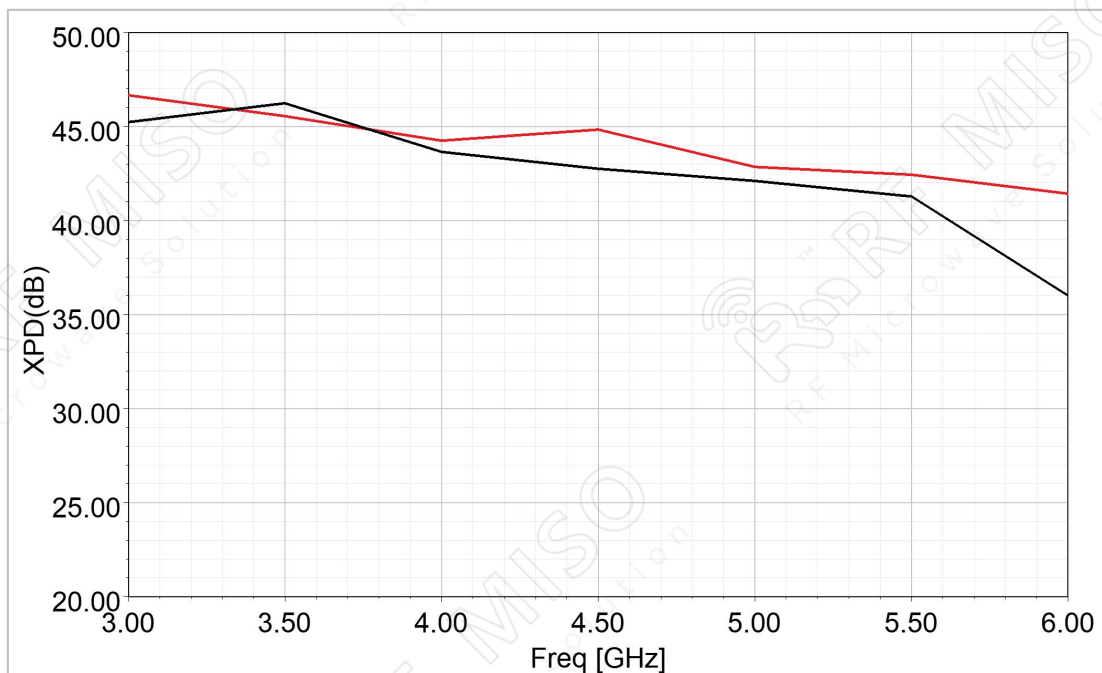
**Broadband Dual Horn Antenna Data Sheet**

**RM-BDPHA36-15**

VSWR



XPD



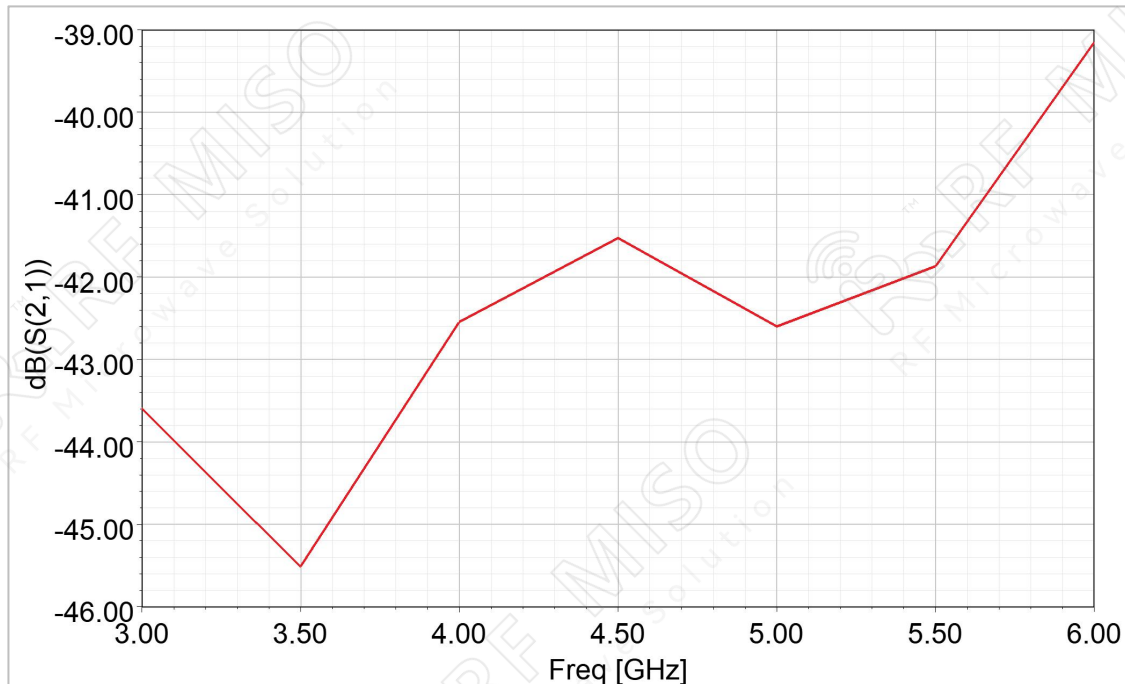


Broadband Dual Polarized Horn Antenna  
14 dBi Typ. Gain, 3GHz-6GHz Frequency Range

**Broadband Dual Horn Antenna Data Sheet**

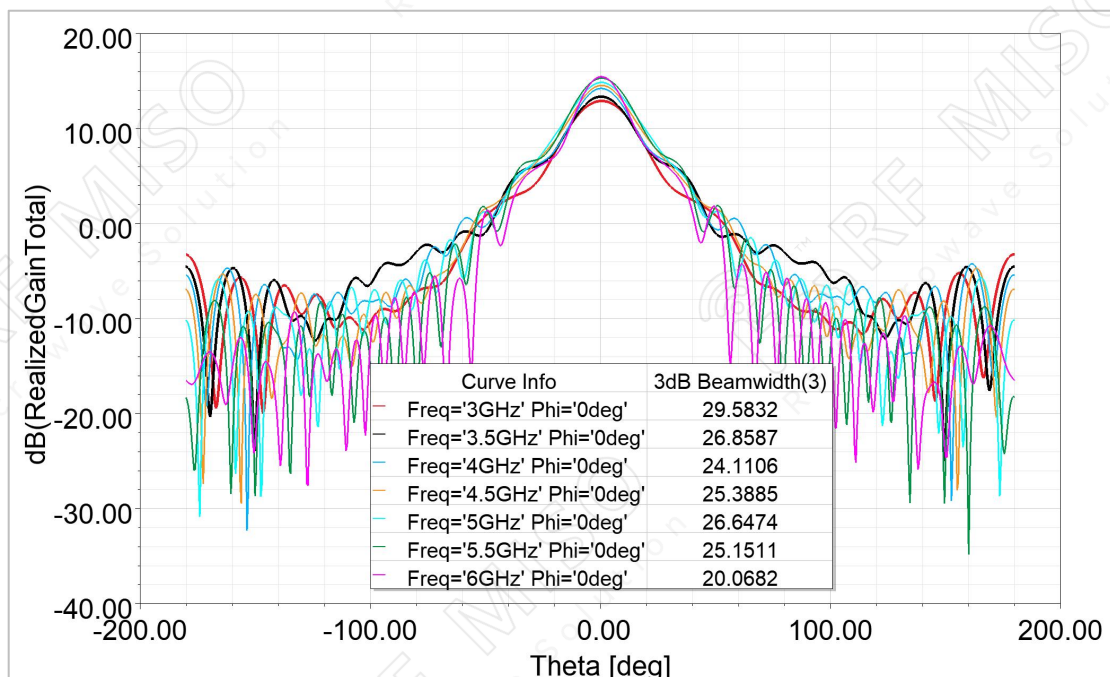
**RM-BDPHA36-15**

Port to Port Isolation



Gain Pattern

E-Plane





Broadband Dual Polarized Horn Antenna  
14 dBi Typ. Gain, 3GHz-6GHz Frequency Range

**Broadband Dual Horn Antenna Data Sheet**

**RM-BDPHA36-15**

H-Plane

