

*Broadband Dual Polarized Horn Antenna
14 dBi Typ.Gain, 3GHz-6GHz Frequency Range*

Broadband Dual Horn Antenna Data

RM-BDPHA36-15

Description

The **RM-BDPHA36-15** from RF MISO is a broadband dual polarized horn antenna that operates from 3 to 6GHz. The antenna offers a typical gain of 14 dBi and VSWR1.5:1 with an SMA Female coaxial connector. The antenna is used in a variety of applications such as microwave testing, satellite antenna testing, direction finding, surveillance, plus EMC and antenna measurements.

Specifications

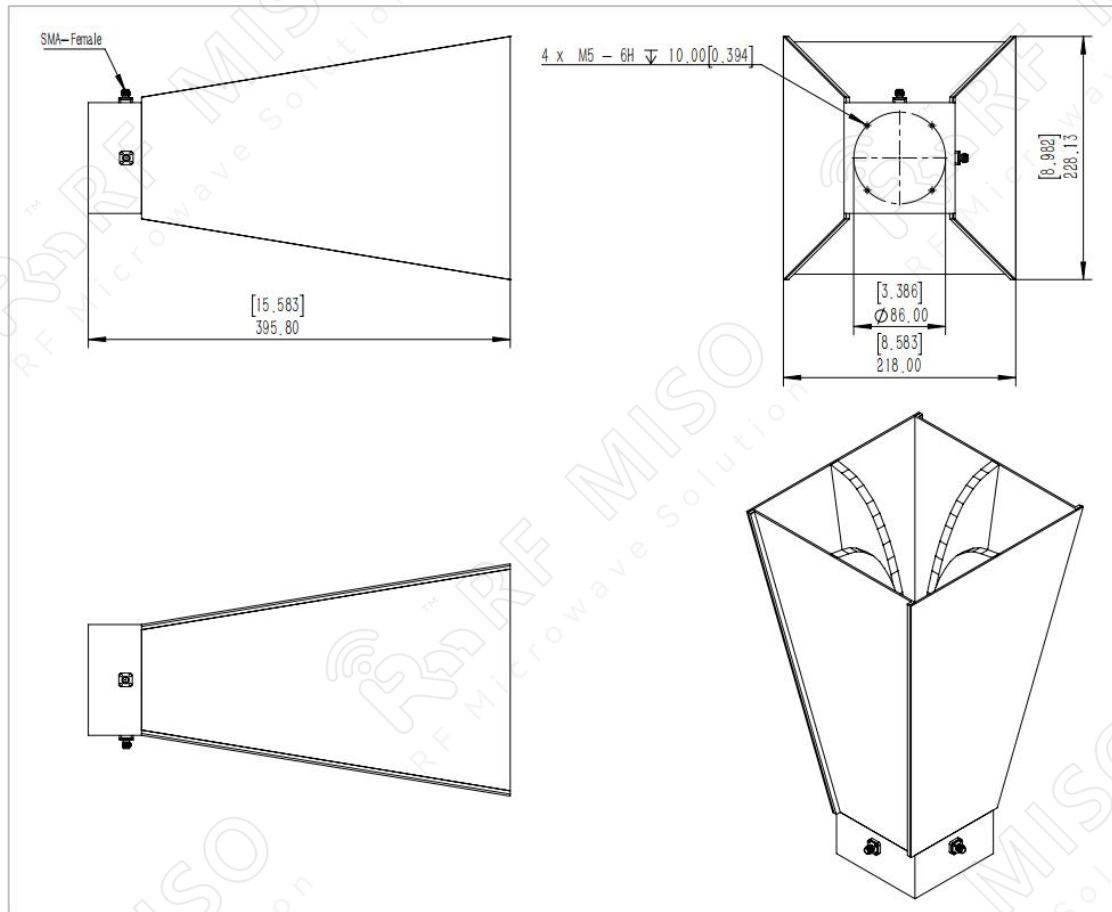
RM-BDPHA36-15			
Item	Specification		Units
Frequency Range	3-6		GHz
Gain	14 Typ.		dBi
VSWR	1.5:1 Typ.		
Cross-Polarization	40 Typ.		dB
Port to Port Isolation	40 Typ.		dB
3dB Beamwidth	E-Plane_20.06~29.58		°
3dB Beamwidth	H-Plane_24.19~47.19		°
Polarization	Dual Linear		
Connector	SMA-Female		
Material	Al		
Surface Treatment	Paint		
Size	395.8*218.0*228.13		mm
Weight	4.366		kg
Power Handling	CW:50	Peak:100	W

Broadband Dual Polarized Horn Antenna
14 dBi Typ. Gain, 3GHz-6GHz Frequency Range

Broadband Dual Horn Antenna Data

RM-BDPHA36-15

Outline Drawing (Size: mm)



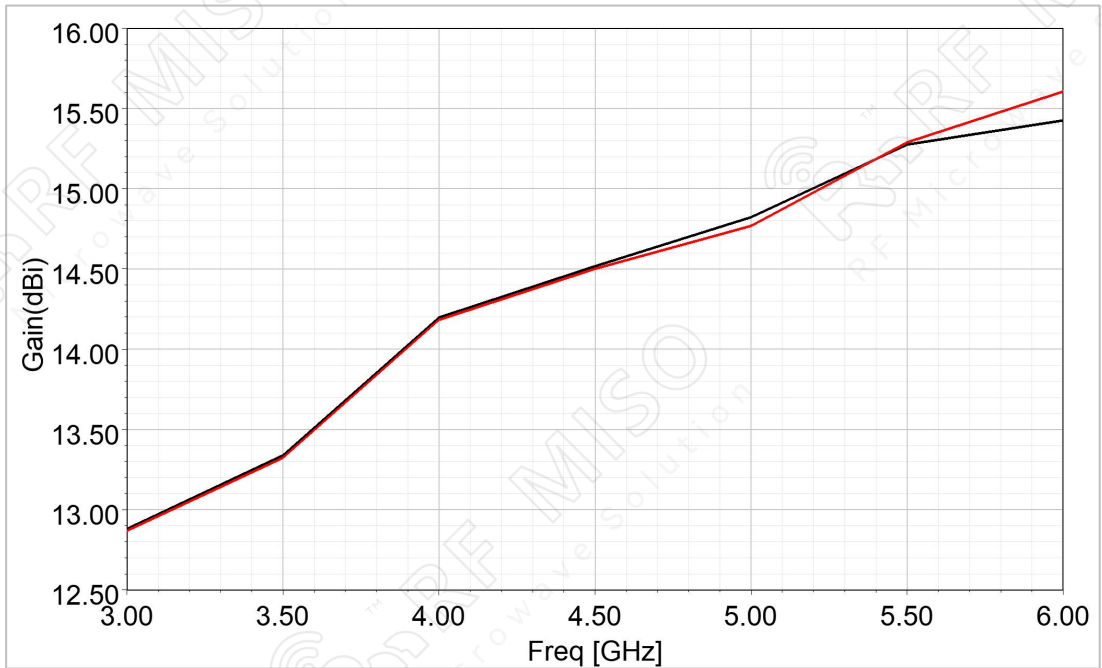
Broadband Dual Polarized Horn Antenna
14 dBi Typ. Gain, 3GHz-6GHz Frequency Range

Broadband Dual Horn Antenna Data

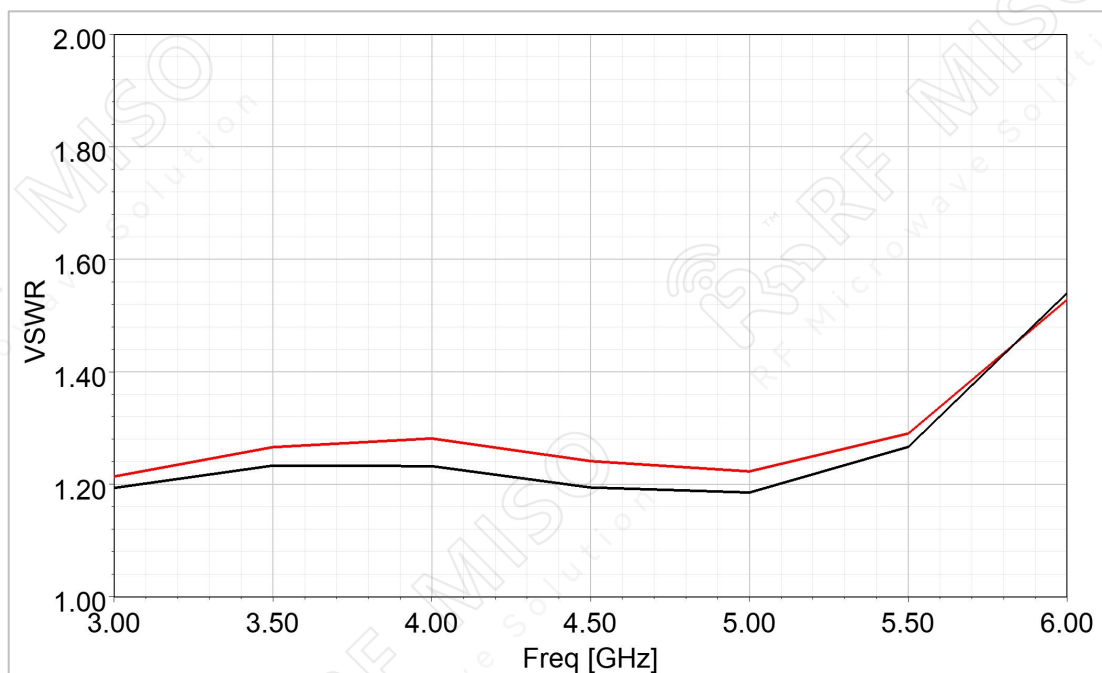
RM-BDPHA36-15

Simulated Data

Gain



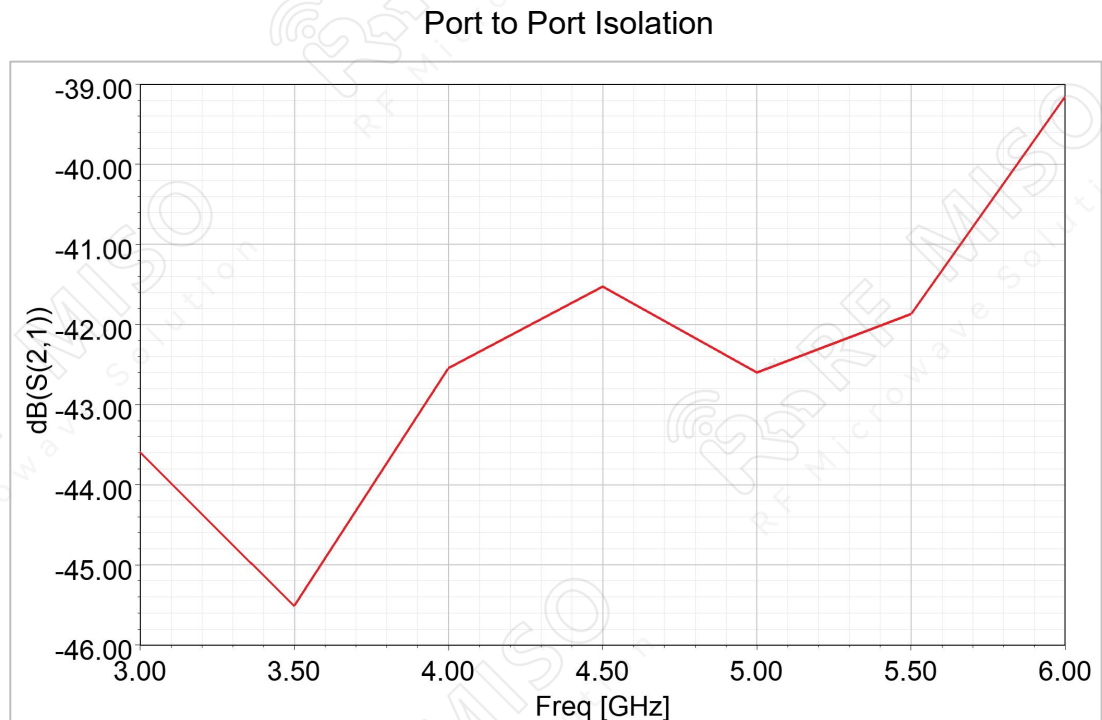
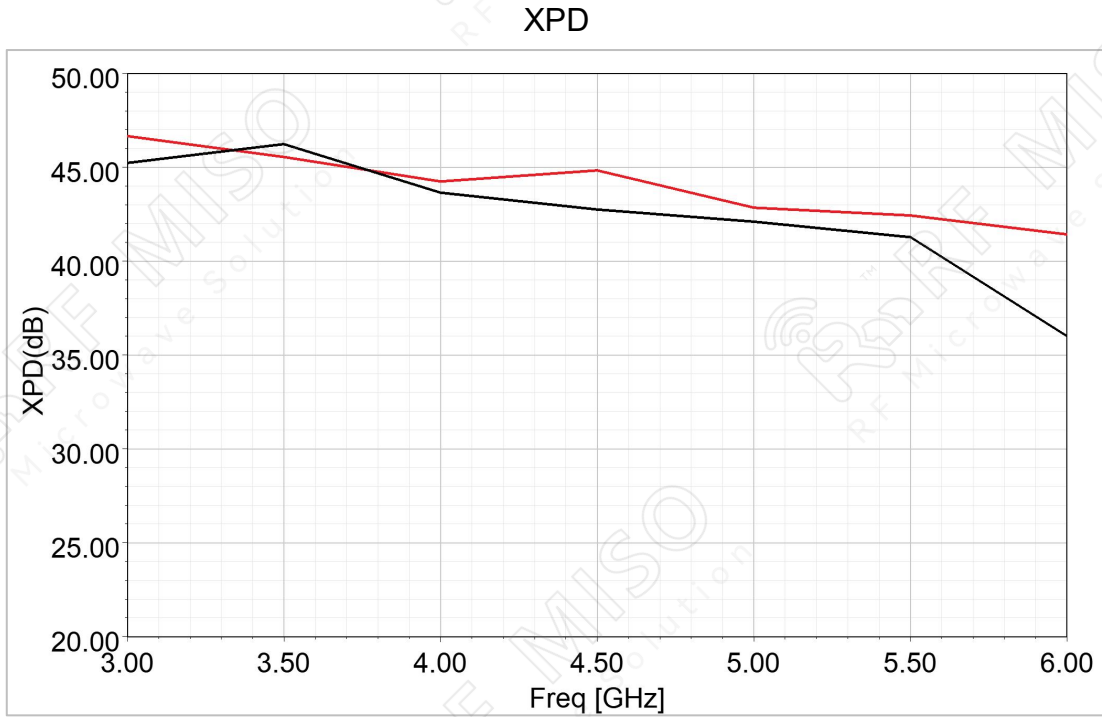
VSWR



*Broadband Dual Polarized Horn Antenna
14 dBi Typ. Gain, 3GHz-6GHz Frequency Range*

Broadband Dual Horn Antenna Data

RM-BDPHA36-15



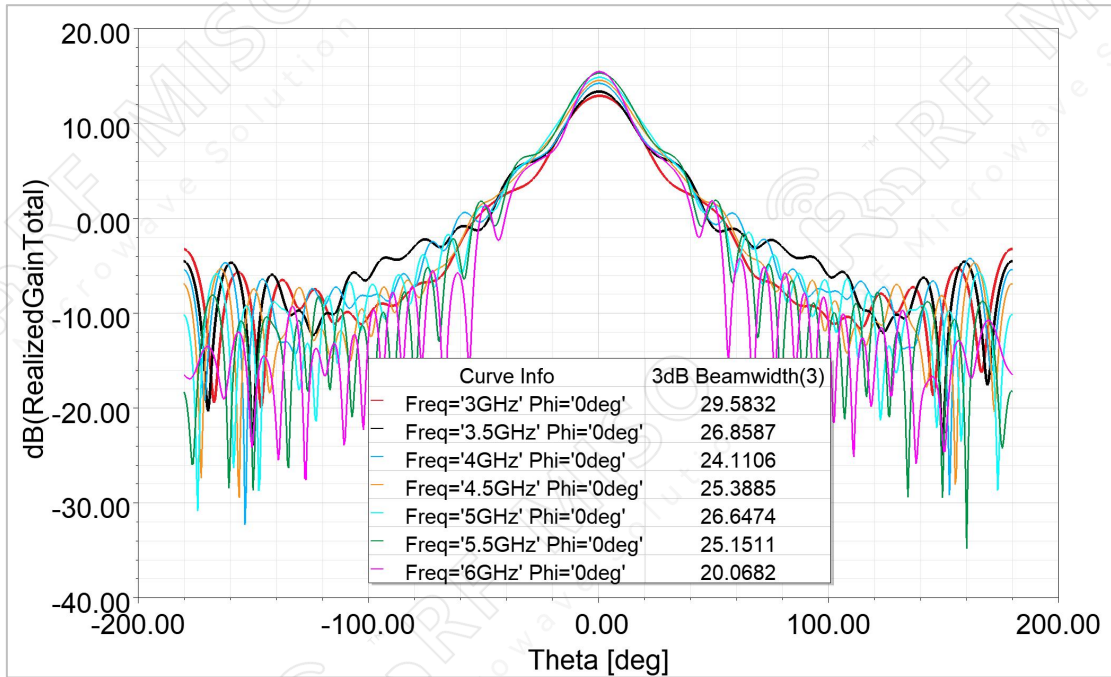
Broadband Dual Polarized Horn Antenna
14 dBi Typ. Gain, 3GHz-6GHz Frequency Range

Broadband Dual Horn Antenna Data

RM-BDPHA36-15

Gain Pattern

E-Plane



H-Plane

