

*Broadband Dual Polarized Horn Antenna
25 dBi Typ. Gain, 1-18 GHz Frequency Range*

Broadband Dual Polarized Horn Antenna Data Sheet

RM-BDPHA118-25

Features

- Coaxial Adapter for RF Inputs
- Low VSWR
- Lens Antennas
- Broadband Operation
- Dual Linear Polarized

Descriptions

RF MISO's **Model RM-BDPHA118-25** is a dual polarized lens horn antenna that operates from 1 to 18 GHz, The antenna offers 25 dBi typical gain. The antenna VSWR is typical 1.5:1. The antenna RF ports are SMA-F connector. The antenna can be widely used in EMI detection, orientation, reconnaissance, antenna gain and pattern measurement and other application fields.

Specificaions

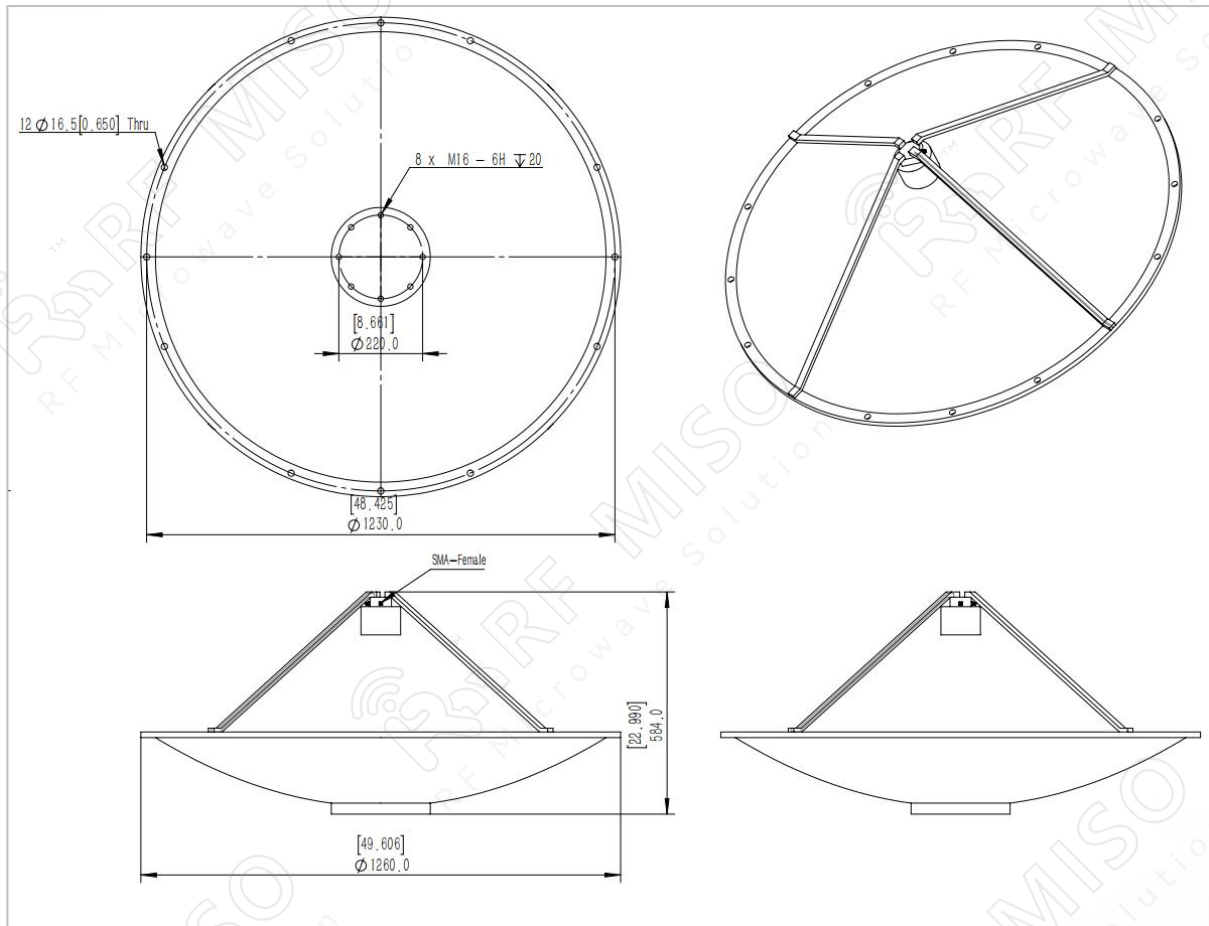
RM-BDPHA118-25		
Parameters	Typical	Units
Frequency Range	1-18	GHz
Gain	25 Typ.	dBi
VSWR	1.5 Typ.	
Polarization	Dual Linear	
Cross Pol. Isolation	40 Typ.	dB
Port Isolation	40 Typ.	dB
Connector	SMA-F	
Material	Al	
Finishing	Paint	
Power Handling, CW	50	W
Power Handling, Peak	100	W

Broadband Dual Polarized Horn Antenna
25 dBi Typ. Gain, 1-18 GHz Frequency Range

Broadband Dual Polarized Horn Antenna Data Sheet

RM-BDPHA118-25

Outline Drawing_P/N: RM-BDPHA118-25P



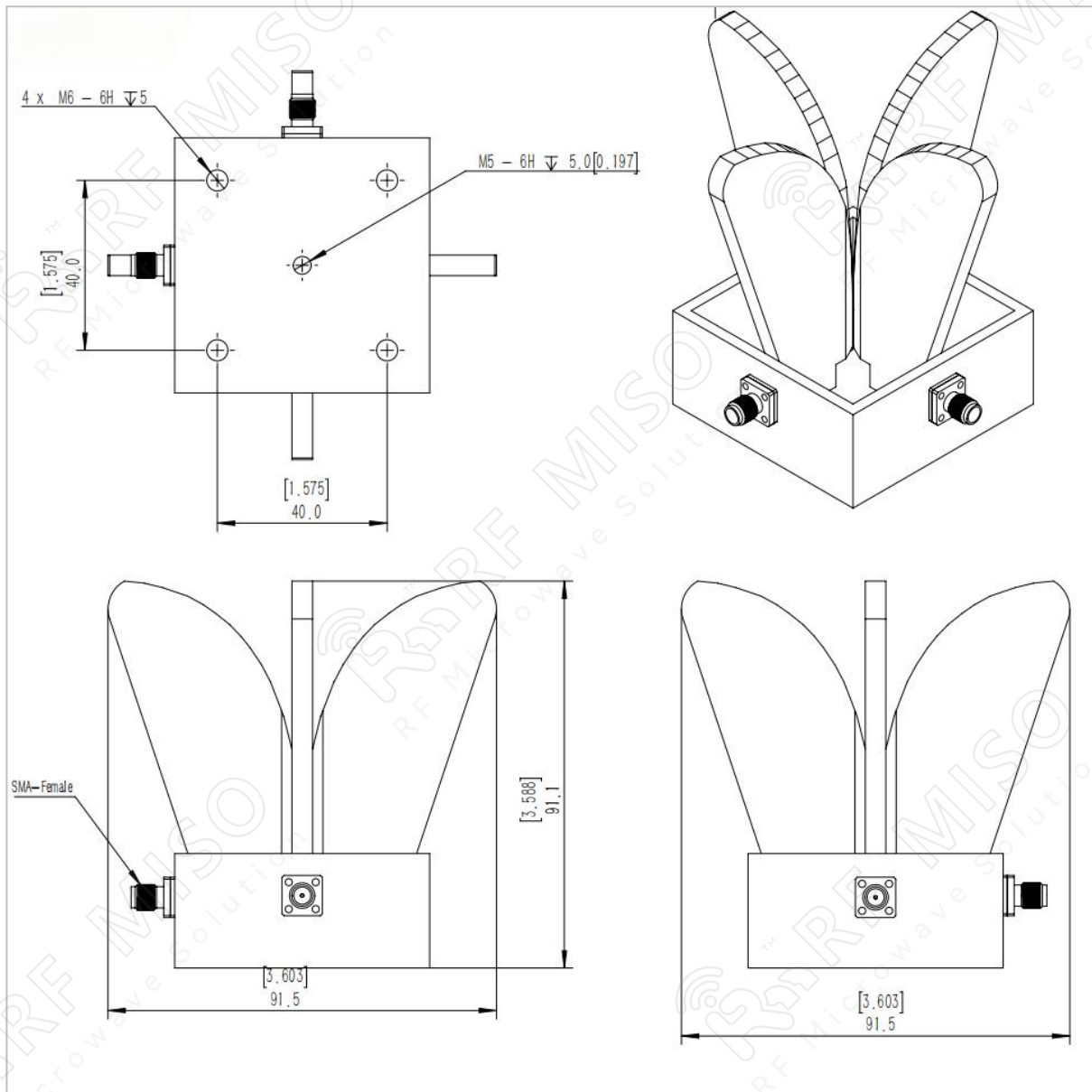
P/N: RM-BDPHA118-25P		
Size ((L*W*H))	Ø1260.0*584.0	mm
Weight	36.659	kg

*Broadband Dual Polarized Horn Antenna
25 dBi Typ. Gain, 1-18 GHz Frequency Range*

Broadband Dual Polarized Horn Antenna Data Sheet

RM-BDPHA118-25

Outline Drawing_P/N:RM-BDPHA118-250



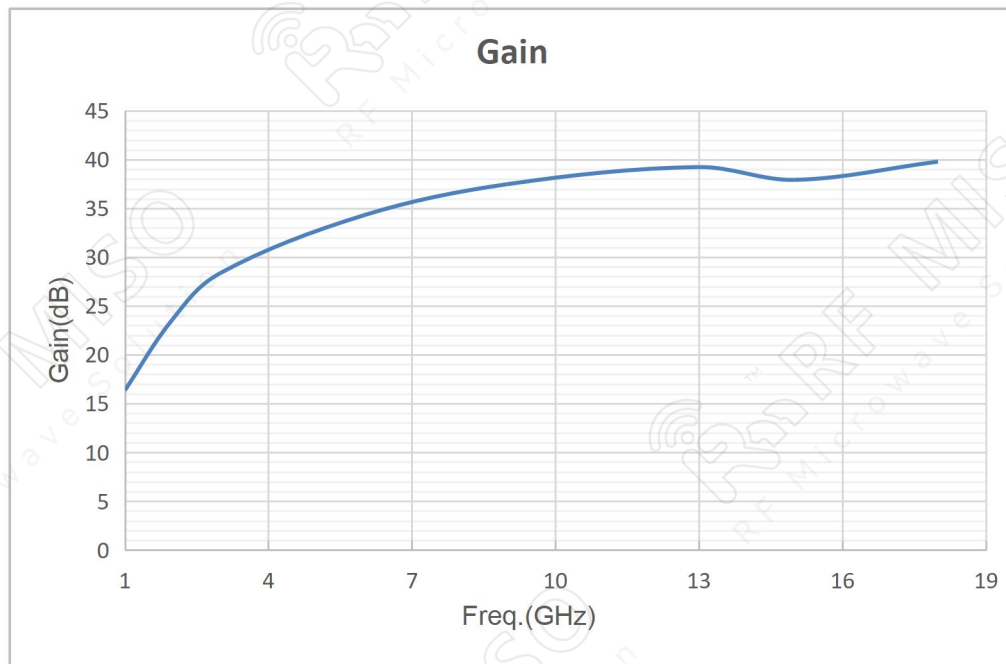
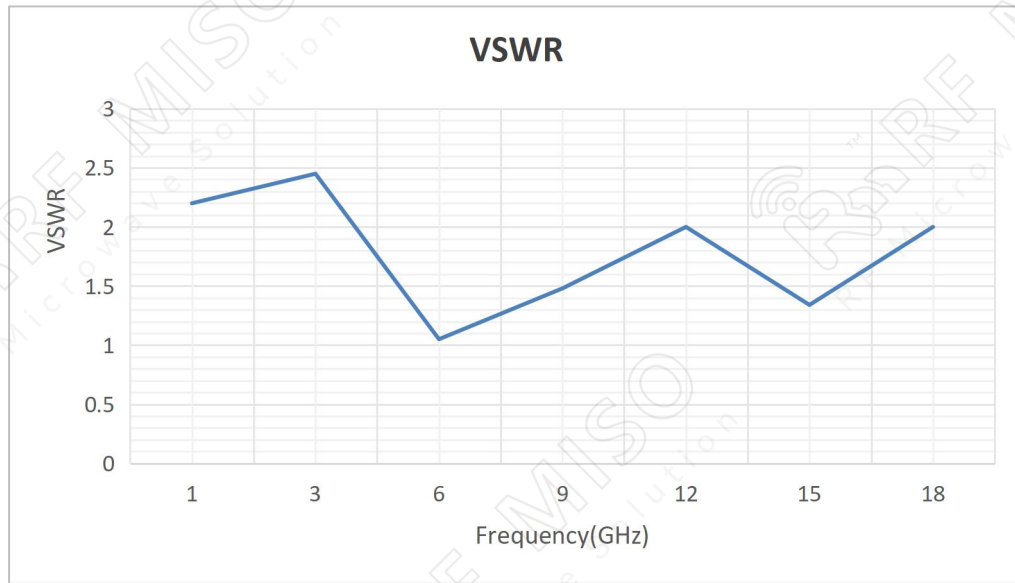
P/N: RM-BDPHA118-250		
Size ((L*W*H))	91.5*91.5*91.1	mm
Weight	0.302	kg

*Broadband Dual Polarized Horn Antenna
25 dBi Typ. Gain, 1-18 GHz Frequency Range*

Broadband Dual Polarized Horn Antenna Data Sheet

RM-BDPHA118-25

Simulation Data



Broadband Dual Polarized Horn Antenna
25 dBi Typ. Gain, 1-18 GHz Frequency Range

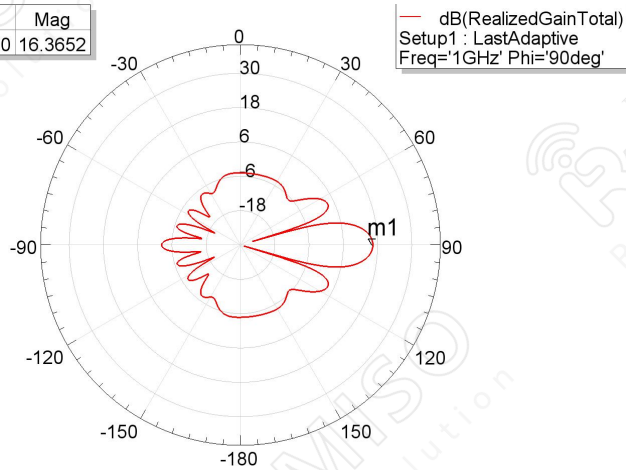
Broadband Dual Polarized Horn Antenna Data Sheet

RM-BDPHA118-25

Gain Patterns

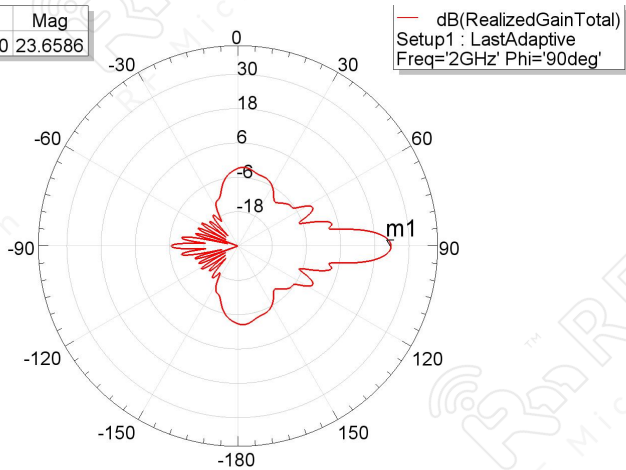
1 GHz

Name	Theta	Ang	Mag
m1	90	90.0000	16.3652



2 GHz

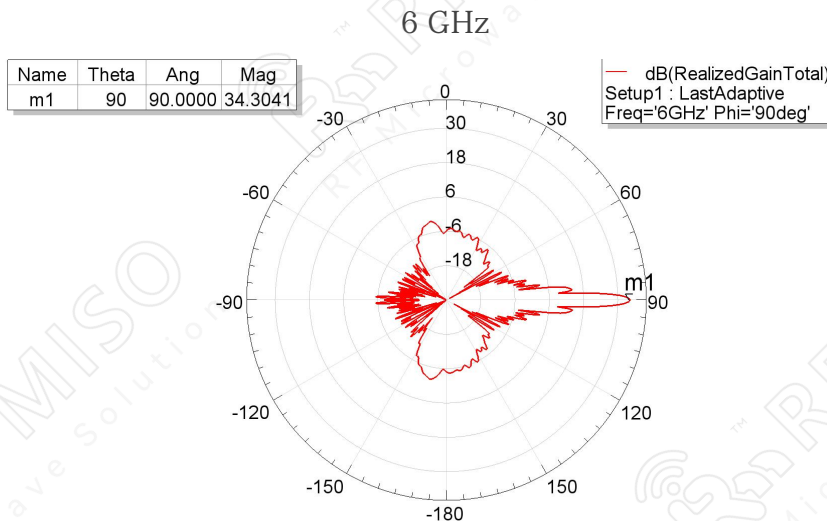
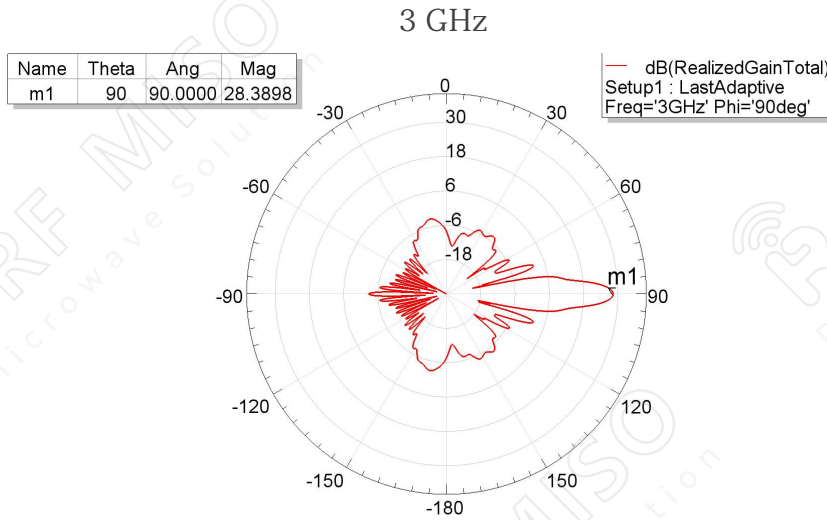
Name	Theta	Ang	Mag
m1	90	90.0000	23.6586



Broadband Dual Polarized Horn Antenna
25 dBi Typ. Gain, 1-18 GHz Frequency Range

Broadband Dual Polarized Horn Antenna Data Sheet

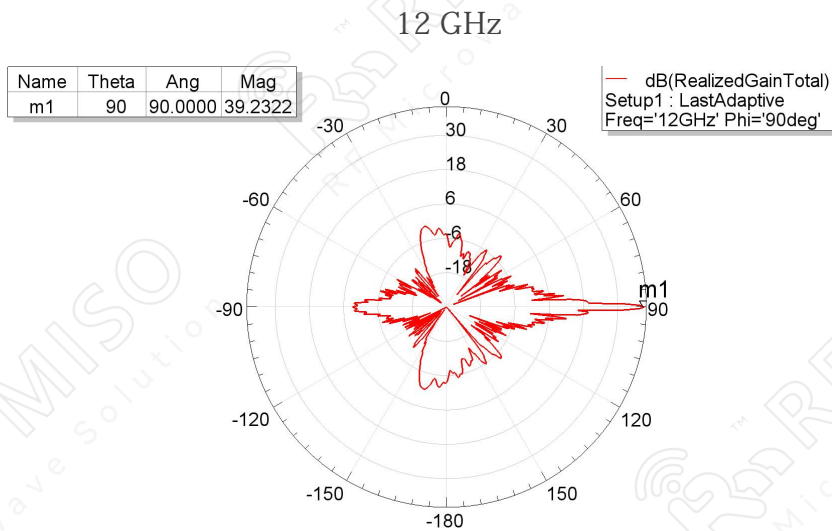
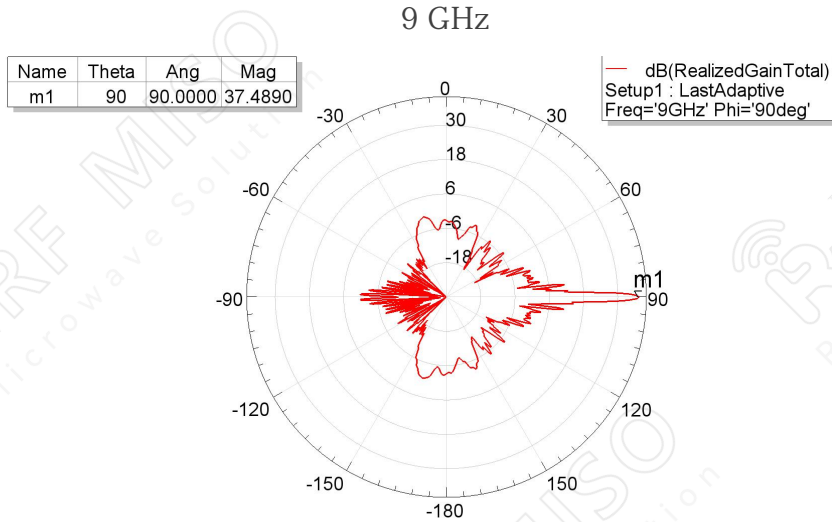
RM-BDPHA118-25



Broadband Dual Polarized Horn Antenna
25 dBi Typ. Gain, 1-18 GHz Frequency Range

Broadband Dual Polarized Horn Antenna Data Sheet

RM-BDPHA118-25



Broadband Dual Polarized Horn Antenna
25 dBi Typ. Gain, 1-18 GHz Frequency Range

Broadband Dual Polarized Horn Antenna Data Sheet

RM-BDPHA118-25

