

*Broadband Dual Polarized Horn Antenna  
25 dBi Typ. Gain, 1-18 GHz Frequency Range*

**Broadband Dual Polarized Horn Antenna Data Sheet**

**RM-BDPHA118-25**

**Features**

- Coaxial Adapter for RF Inputs
- Low VSWR
- Lens Antennas
- Broadband Operation
- Dual Linear Polarized

**Descriptions**

RF MISO's **Model RM-BDPHA118-25** is a dual polarized lens horn antenna that operates from 1 to 18 GHz, The antenna offers 25 dBi typical gain. The antenna VSWR is typical 1.5:1. The antenna RF ports are SMA-F connector. The antenna can be widely used in EMI detection, orientation, reconnaissance, antenna gain and pattern measurement and other application fields.

**Specifications**

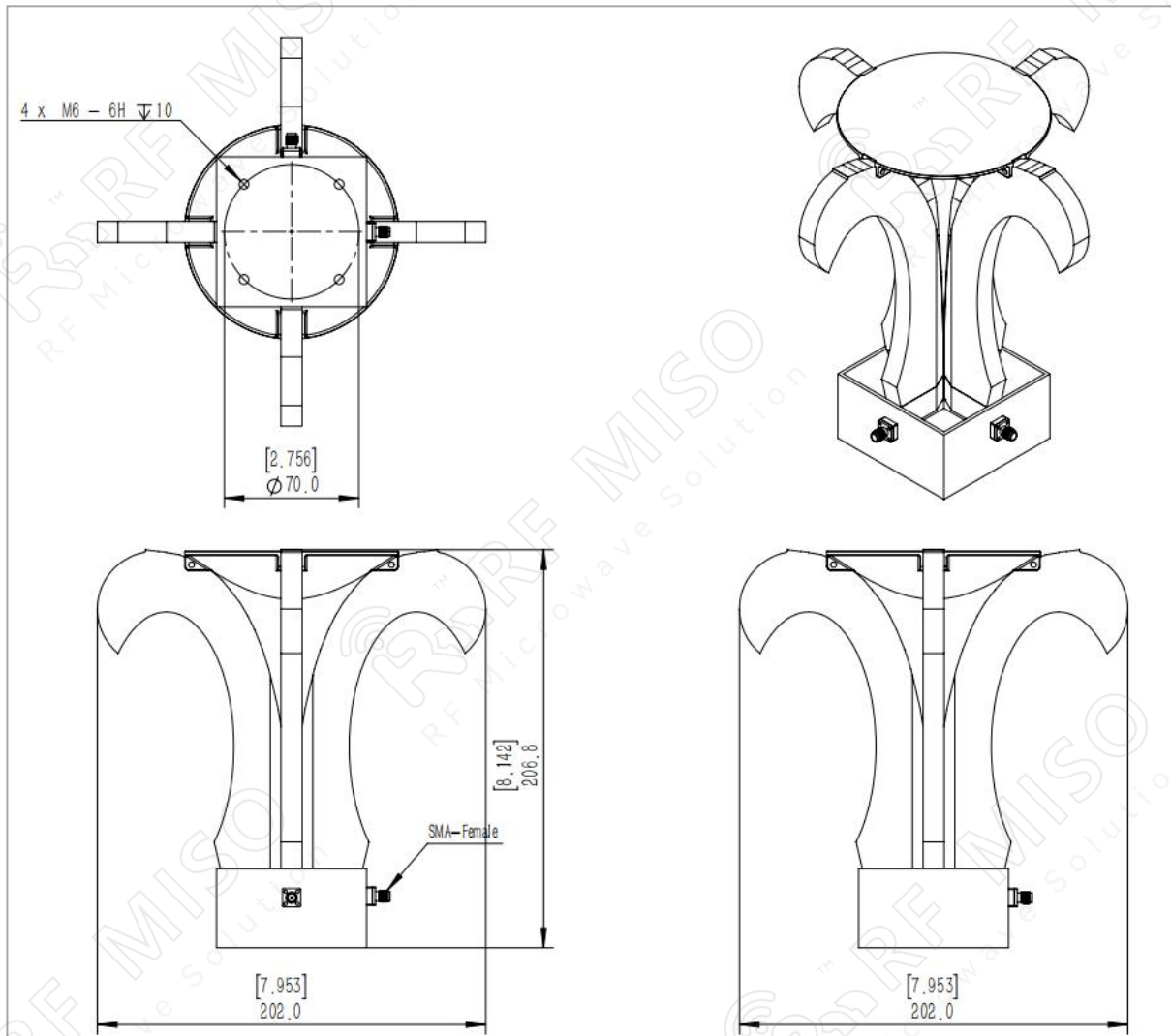
<b>RM-BDPHA118-25</b>		
Parameters	Typical	Units
Frequency Range	1-18	GHz
Gain	25 Typ.	dBi
VSWR	1.5 Typ.	
Polarization	Dual Linear	
Cross Pol. Isolation	40 Typ.	dB
Port Isolation	40 Typ.	dB
Connector	SMA-F	
Material	Al	
Finishing	Paint	
Size ((L*W*H))	202.0*202.0*206.8	mm
Weight	1.453	kg
Power Handling, CW	50	W
Power Handling, Peak	100	W

*Broadband Dual Polarized Horn Antenna  
25 dBi Typ. Gain, 1-18 GHz Frequency Range*

**Broadband Dual Polarized Horn Antenna Data Sheet**

**RM-BDPHA118-25**

**Outline Drawing**

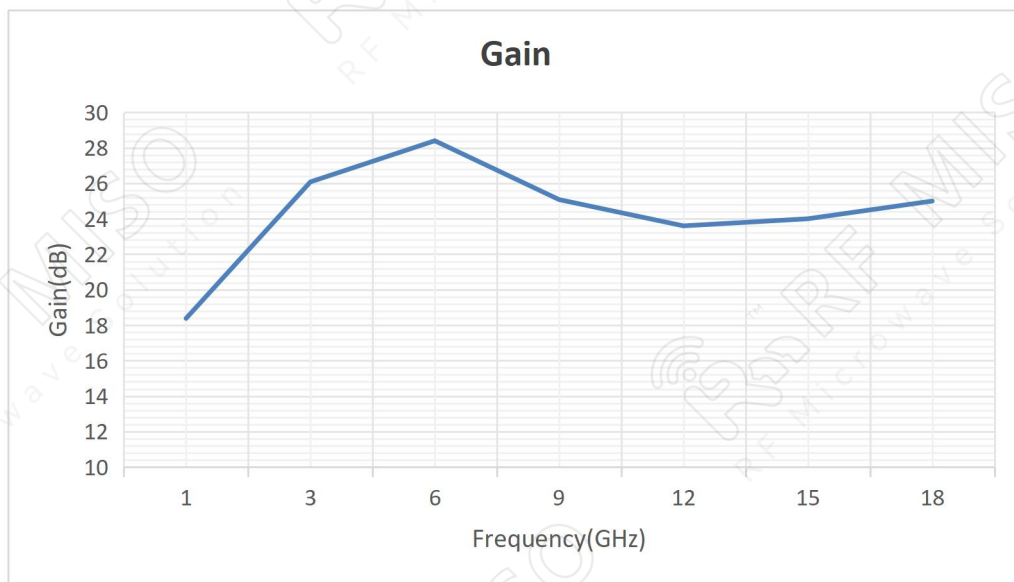
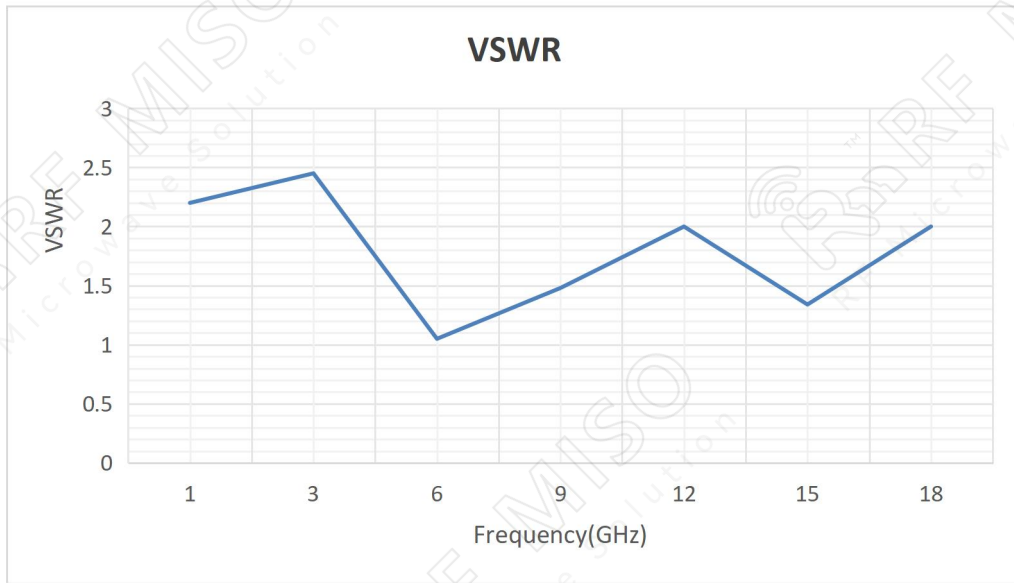


*Broadband Dual Polarized Horn Antenna  
25 dBi Typ. Gain, 1-18 GHz Frequency Range*

**Broadband Dual Polarized Horn Antenna Data Sheet**

**RM-BDPHA118-25**

**Simulation Data**

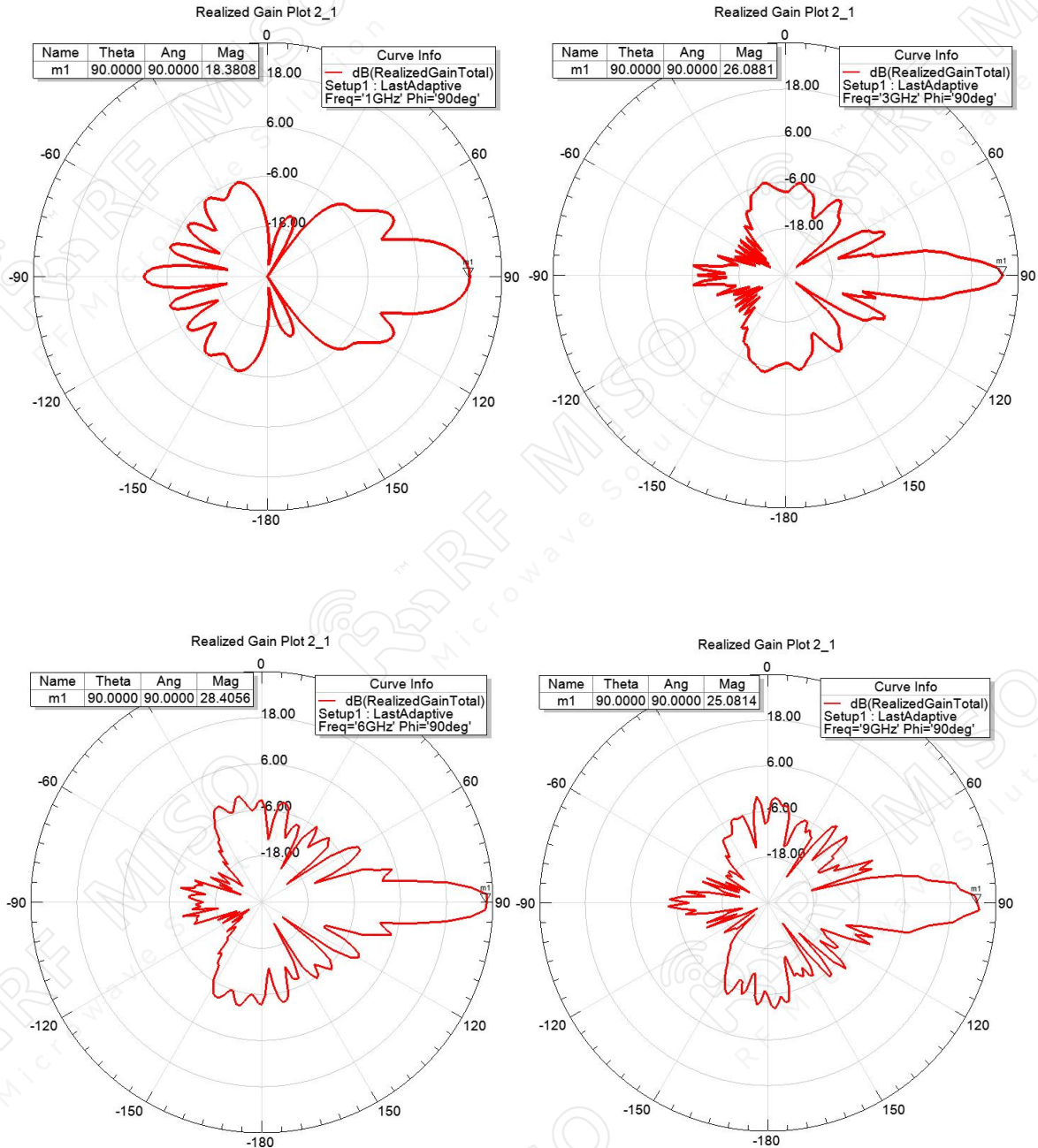


*Broadband Dual Polarized Horn Antenna  
25 dBi Typ. Gain, 1-18 GHz Frequency Range*

**Broadband Dual Polarized Horn Antenna Data Sheet**

**RM-BDPHA118-25**

**Gain Patterns**



*Broadband Dual Polarized Horn Antenna  
25 dBi Typ. Gain, 1-18 GHz Frequency Range*

**Broadband Dual Polarized Horn Antenna Data Sheet**

**RM-BDPHA118-25**

