

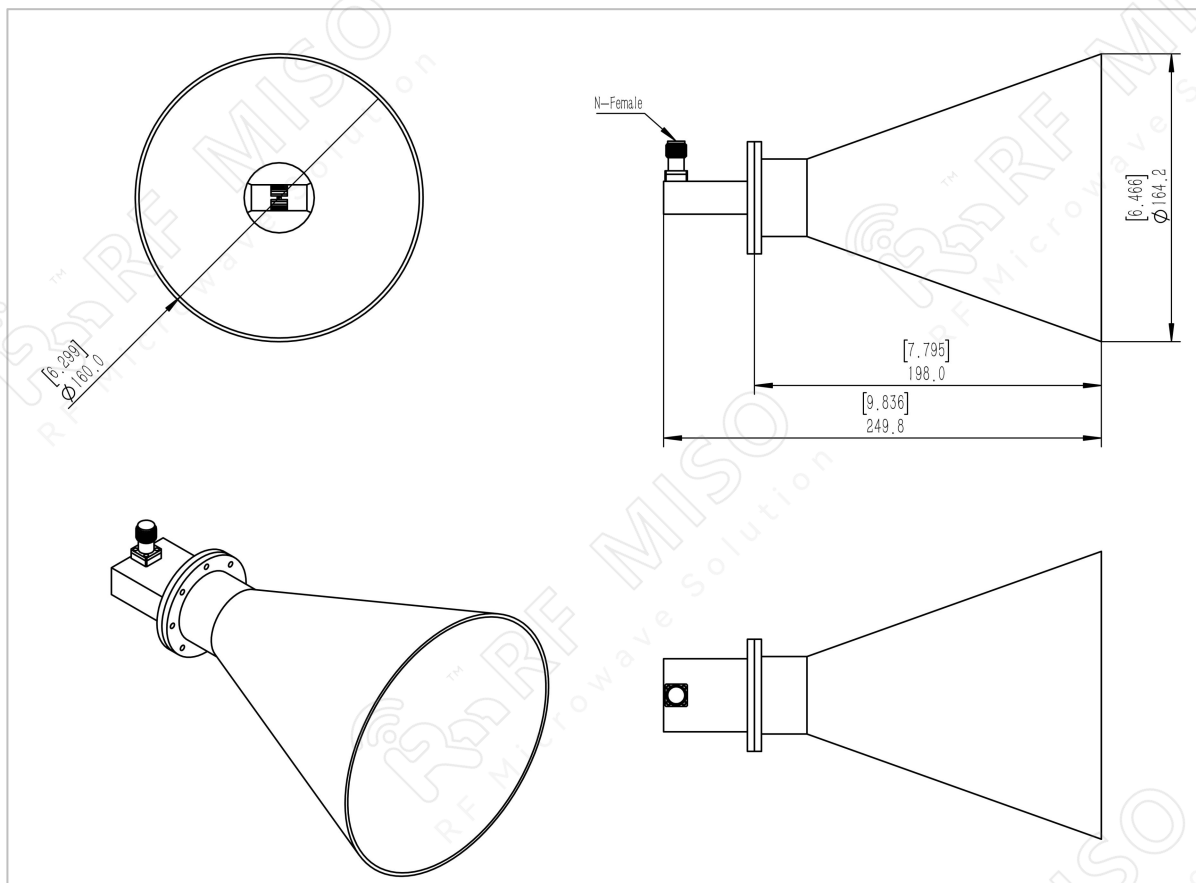
Descriptions

RF MISO's **Model RM-BDHA613-20** is linear polarized broadband horn antenna that operates from 6 to 13 GHz. The antenna offers a typical gain of 20 dBi and low VSWR 1.3Typ. with N-Female type connector. RM-BDHA613-20 can be widely used in EMI detection, orientation, reconnaissance, antenna gain and pattern measurement and other application fields.

Specifications

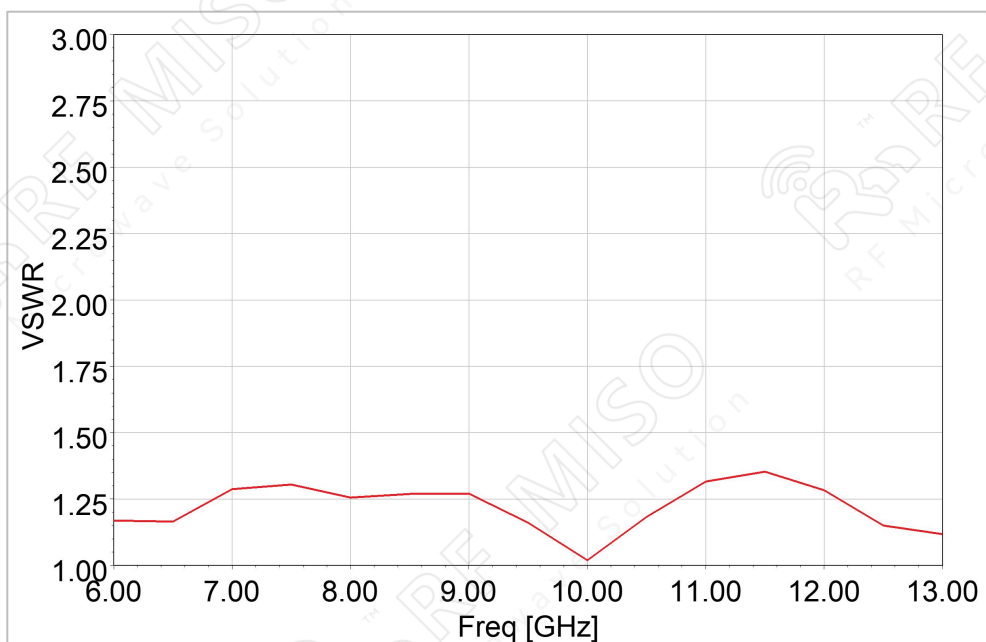
RM-BDHA613-20			
Parameters	Specifications		Units
Frequency Range	6-13		GHz
Gain	20 Typ.		dBi
VSWR	1.3 Typ.		
Cross Polarization	50 Typ.		dB
3dB Beamwidth	E-Plane:12.84~18.75		°
3dB Beamwidth	H-Plane:12.04~22.96		°
Polarization	Linear		
Connector	N-Female		
Finishing	Paint Black		
Material	Al		
Size(L*W*H)	249.8*160.0*164.2		mm
Weight	0.5		kg
Power Handling	CW:500	Peak:3000	W

Outline Drawing

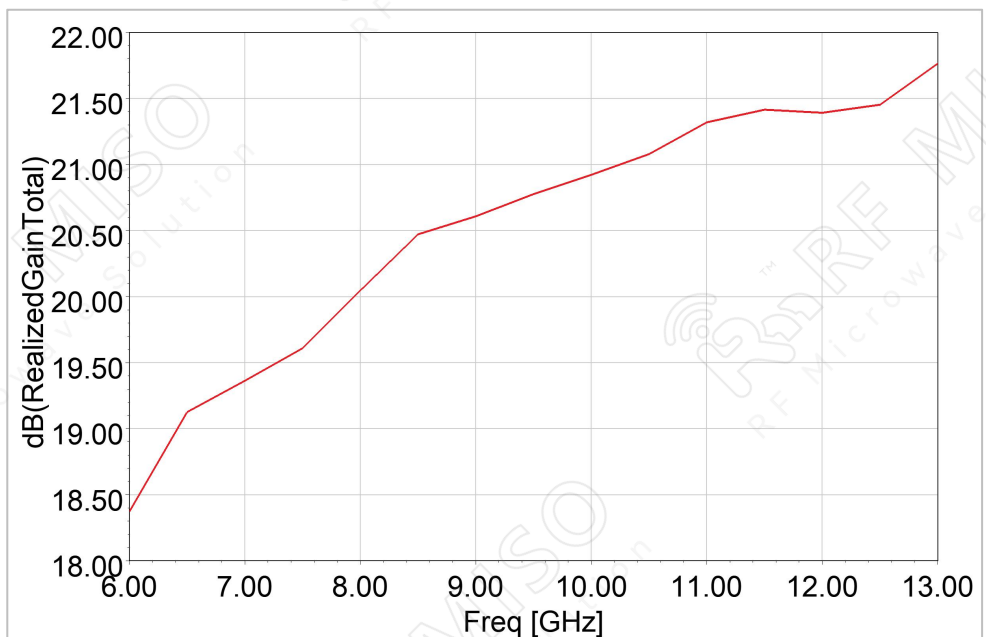


Simulation Result

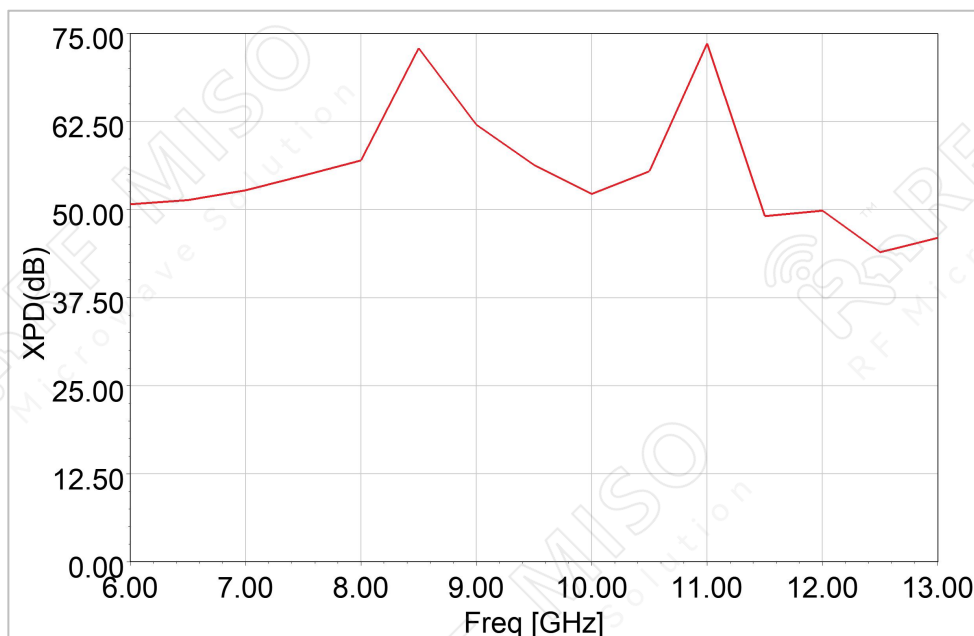
VSWR



Gain

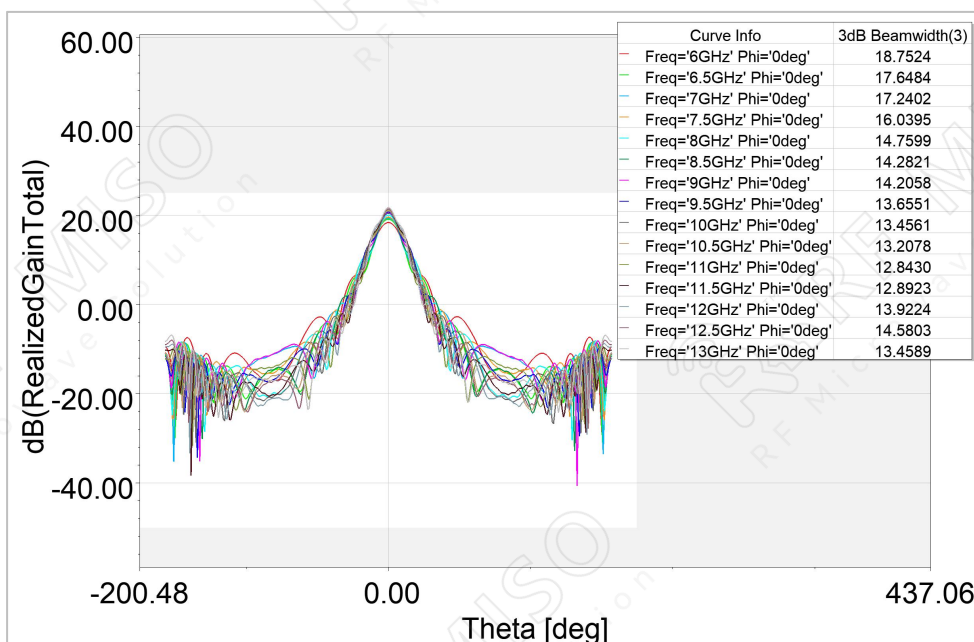


Cross polarization



Gain Pattern

6-13GHz E-Plane



Broadband Horn Antenna
20dBi Typ. Gain, 6-13GHz Frequency Range

Broadband Horn Antenna Data Sheet

RM-BDHA613-20

6-13GHz H-Plane

