



*Broadband Horn Antenna
13 dBi Typ. Gain, 4-40 GHz Frequency Range*

Broadband Horn Antenna Data Sheet

RM-BDHA440-13

Features

- Ideal for Antenna Measurement
- Low VSWR
- Moderate Gain
- Broadband Operation
- Linear Polarized
- Small Size

Descriptions

RF MISO's **Model RM-BDHA440-13** is a linear polarized broadband horn antenna that operates from 4 to 40 GHz. The antenna offers a typical gain of 13 dBi and low VSWR 1.5:1 with 2.92-Female connector. The antenna is used for long time trouble-free applications in indoor and outdoor environments. It can be widely used in EMI detection, orientation, reconnaissance, antenna gain and pattern measurement and other applications.

Specifications

| RM-BDHA440-13 | | |
|----------------------|--------------------------|-------|
| Parameters | Typical | Units |
| Frequency Range | 4-40 | GHz |
| Gain | 13 Typ. | dBi |
| VSWR | 1.5 Typ. | |
| Polarization | Linear | |
| Connector | 2.92-Female/2.4mm-Female | |
| Treatment | Paint | |
| Size | 58.3*60.4*47.7(L*W*H) | mm |
| Weight | 33 | g |
| Material | Al | |

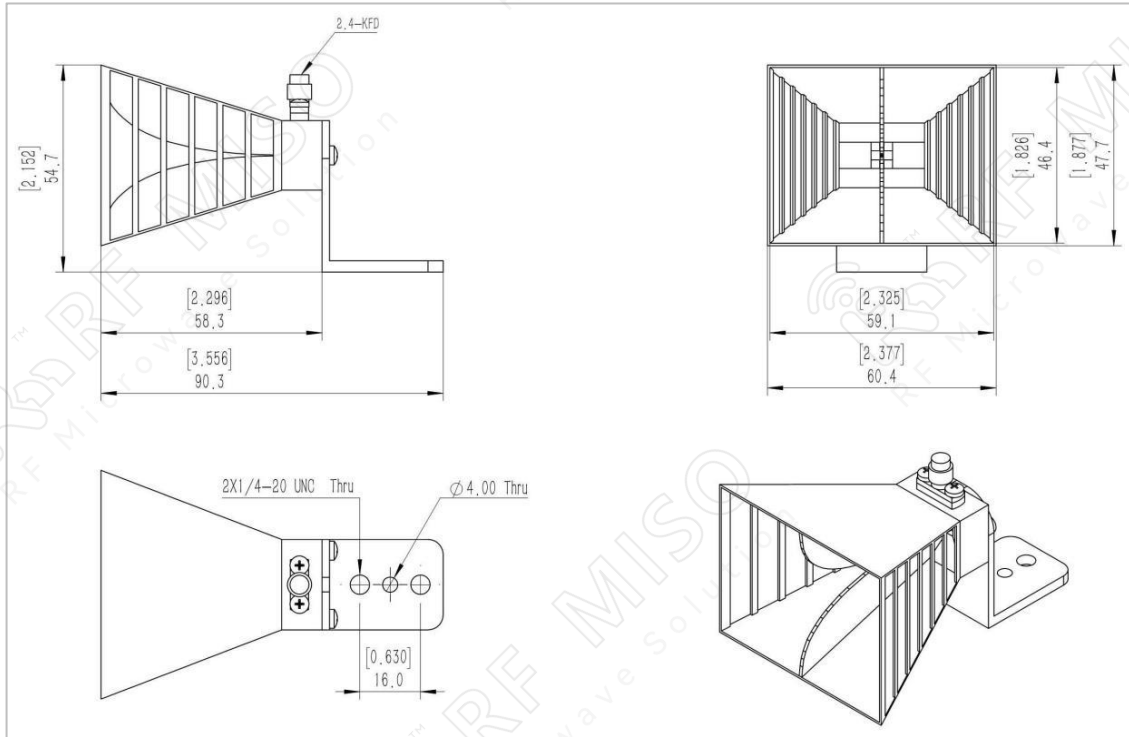


Broadband Horn Antenna
13 dBi Typ. Gain, 4-40 GHz Frequency Range

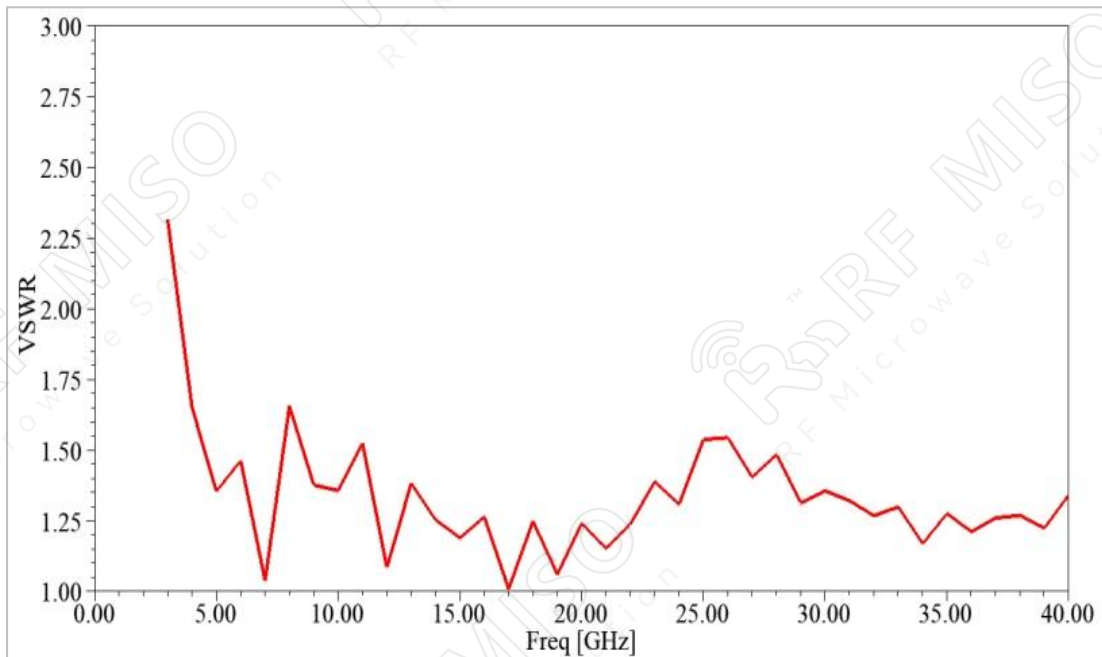
Broadband Horn Antenna Data Sheet

RM-BDHA440-13

Mechanical



Simulation



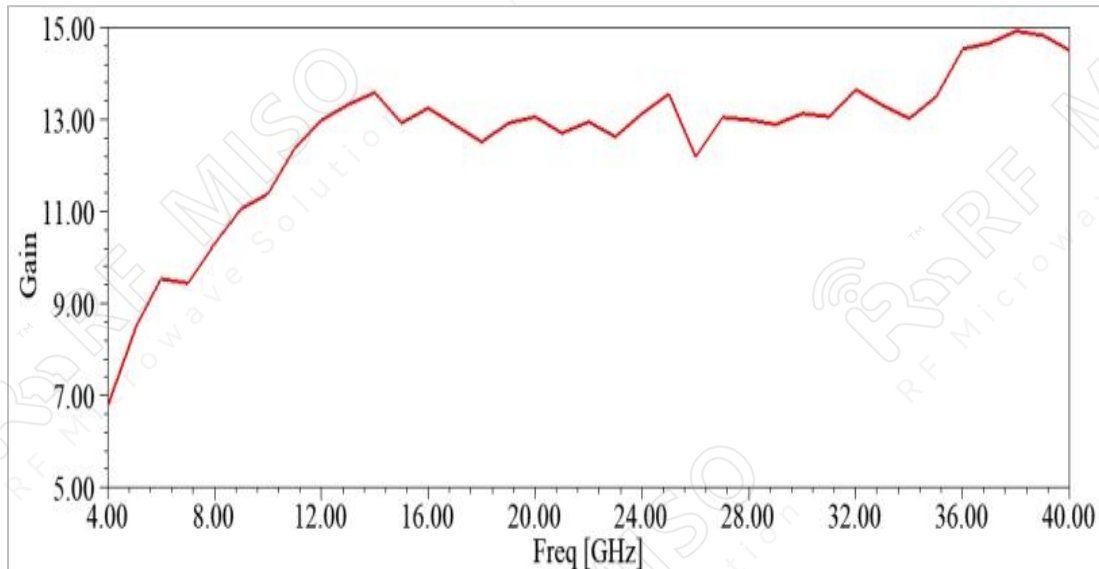


Broadband Horn Antenna
13 dBi Typ. Gain, 4-40 GHz Frequency Range

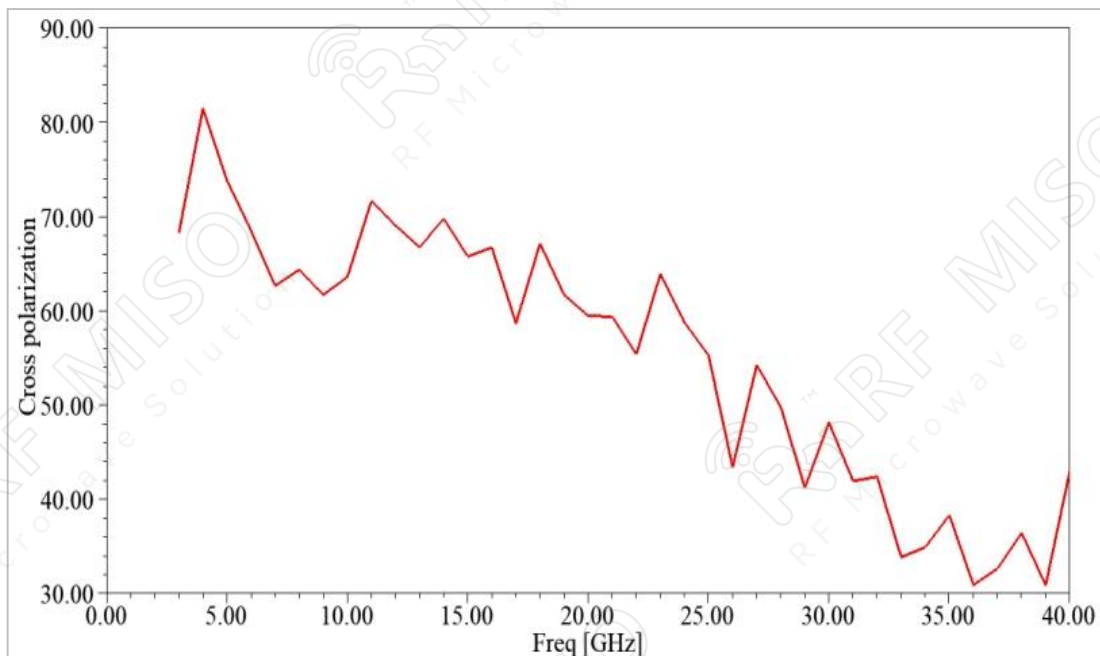
Broadband Horn Antenna Data Sheet

RM-BDHA440-13

Gain



Cross Polarization





Broadband Horn Antenna
13 dBi Typ. Gain, 4-40 GHz Frequency Range

Broadband Horn Antenna Data Sheet

RM-BDHA440-13

Gain Pattern

