

*Broadband Horn Antenna  
10dBi Typ. Gain, 300-750 MHz Frequency Range*

**Broadband Horn Antenna Data Sheet**

**RM-BDHA03075-10**

**Descriptions**

RF MISO's **Model RM-BDHA03075-10** is linear polarized broadband horn antenna that operates from 300 to 750 MHz. The antenna offers a typical gain of 10 dBi and low VSWR 1.5 Typ. with N-Female type connector. This antenna is suitable for EMC testing, radio monitoring and direction finding, communication, and jamming systems.

**Specifications**

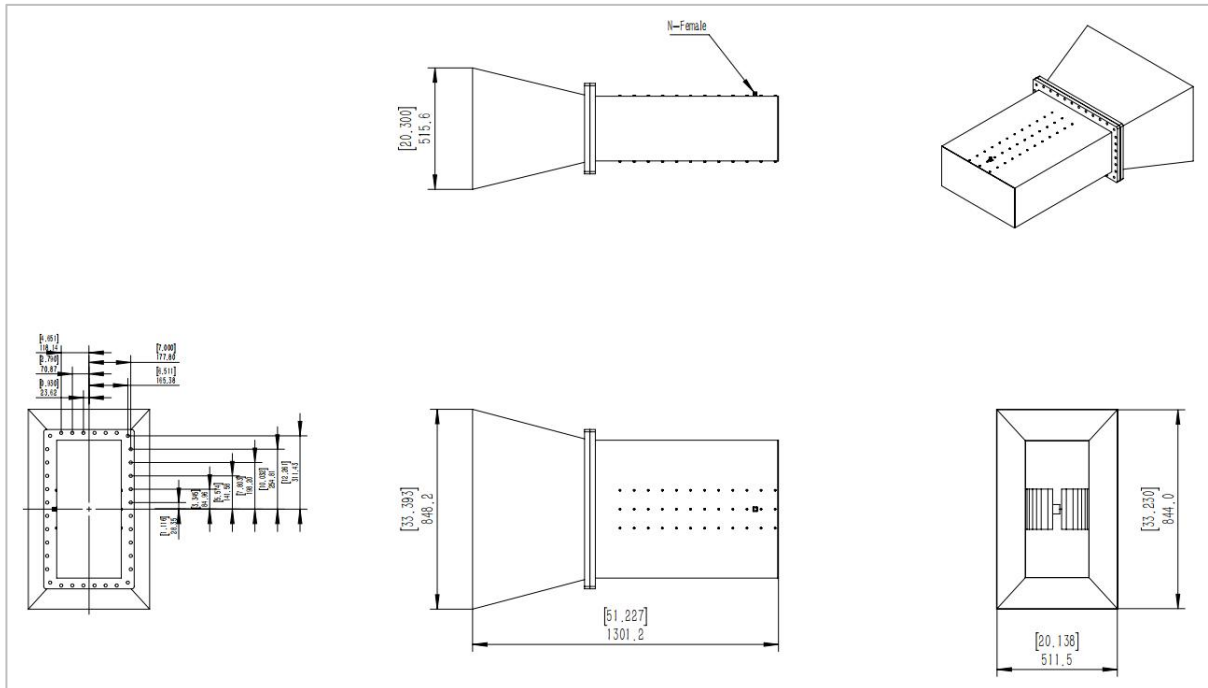
<b>RM-BDHA03075-10</b>		
Parameters	Specifications	Units
Frequency Range	300-750	MHz
Gain	10 Typ.	dBi
VSWR	1.5 Typ.	
XPD	50 Typ.	dB
Polarization	Linear	
Connector	N-Female	
Finishing	Paint Black	
Material	Al	
Size	1301.2*848.2*515.6(±5)	mm
Weight	39.696	kg
Power Handling, CW	300	W
Power Handling, Peak	500	W

*Broadband Horn Antenna*  
*10dBi Typ. Gain, 300-750 MHz Frequency Range*

**Broadband Horn Antenna Data Sheet**

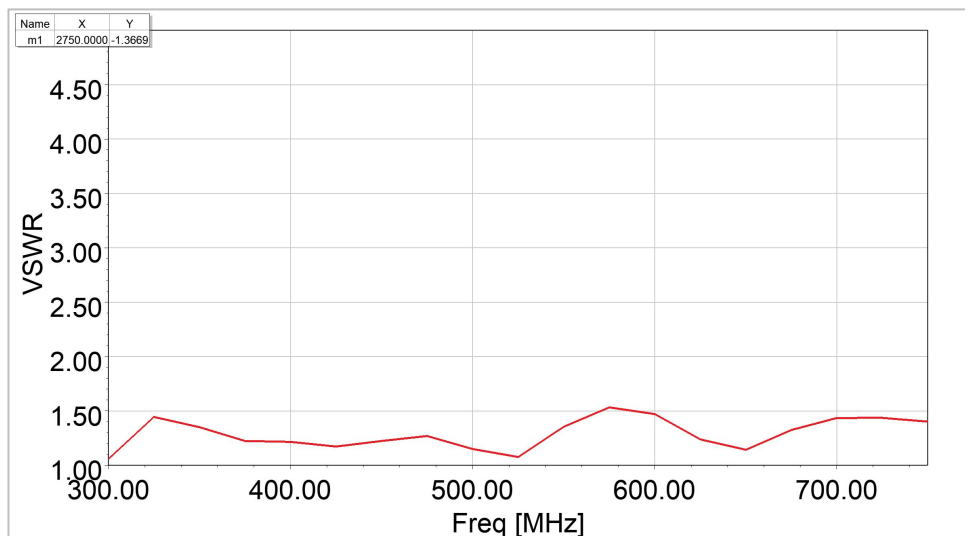
**RM-BDHA03075-10**

**Outline Drawing**



**Simulation**

**VSWR**

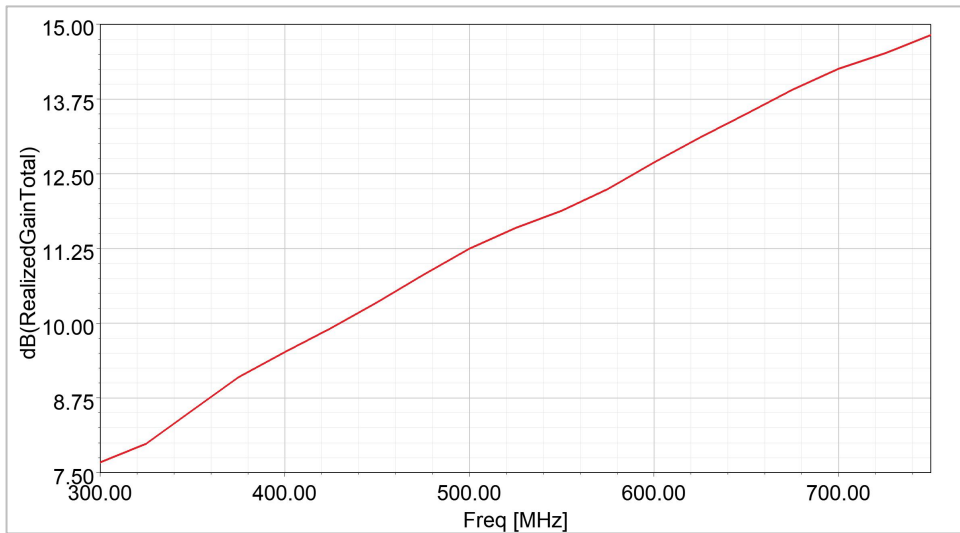


*Broadband Horn Antenna  
10dBi Typ. Gain, 300-750 MHz Frequency Range*

**Broadband Horn Antenna Data Sheet**

**RM-BDHA03075-10**

**Gain**



**XPD**

