

*Bi-Conical Antenna 3dBi Typ. Gain, 297-303GHz
Frequency Range, N-Female connector*



Bi-Conical Antenna Data Sheet

RM-BCA300-3

Descriptions

RF MISO's **Model RM-BCA300-3** is a vertical polarizatoin that operates from 297 to 303 GHz, The antenna offers horizontal Gain 3dBi Typ. The input port of the antenna is equipped with a WR3 waveguide with UG-387 flange.

Specifcaions

| RM-BCA300-3 | | |
|-------------------------|-----------------|-------|
| Parameters | Typical | Units |
| Frequency Range | 297-303 | GHz |
| Gain | 3 Typ. | dBi |
| VSWR | 2 Typ. | |
| Polarization | Vertical | |
| Azimuth Beamwidth | 360° | |
| 3dB Beamwidth, Vertical | 45° | |
| Material | Al | |
| Finishing | Gold Plated | |
| Size (L*W*H) | Ø25.2*19 | mm |
| Weight | 0.021 | kg |
| Power Handling, CW | 20 | W |
| Operating Temperature | -40 °C ~ +85 °C | |

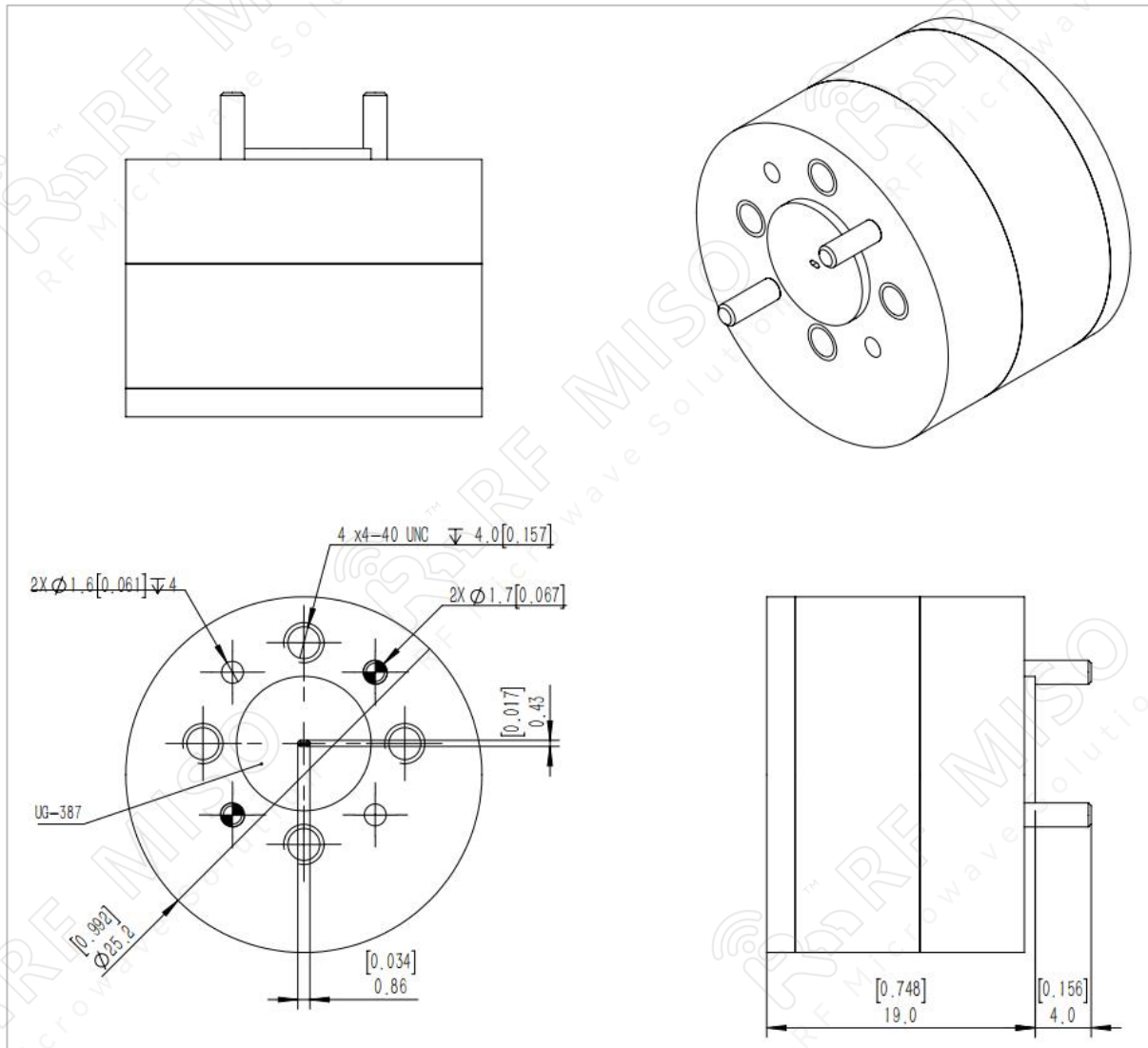
*Bi-Conical Antenna 3dBi Typ. Gain, 297-303GHz
Frequency Range, N-Female connector*



Bi-Conical Antenna Data Sheet

RM-BCA300-3

Outline Drawing



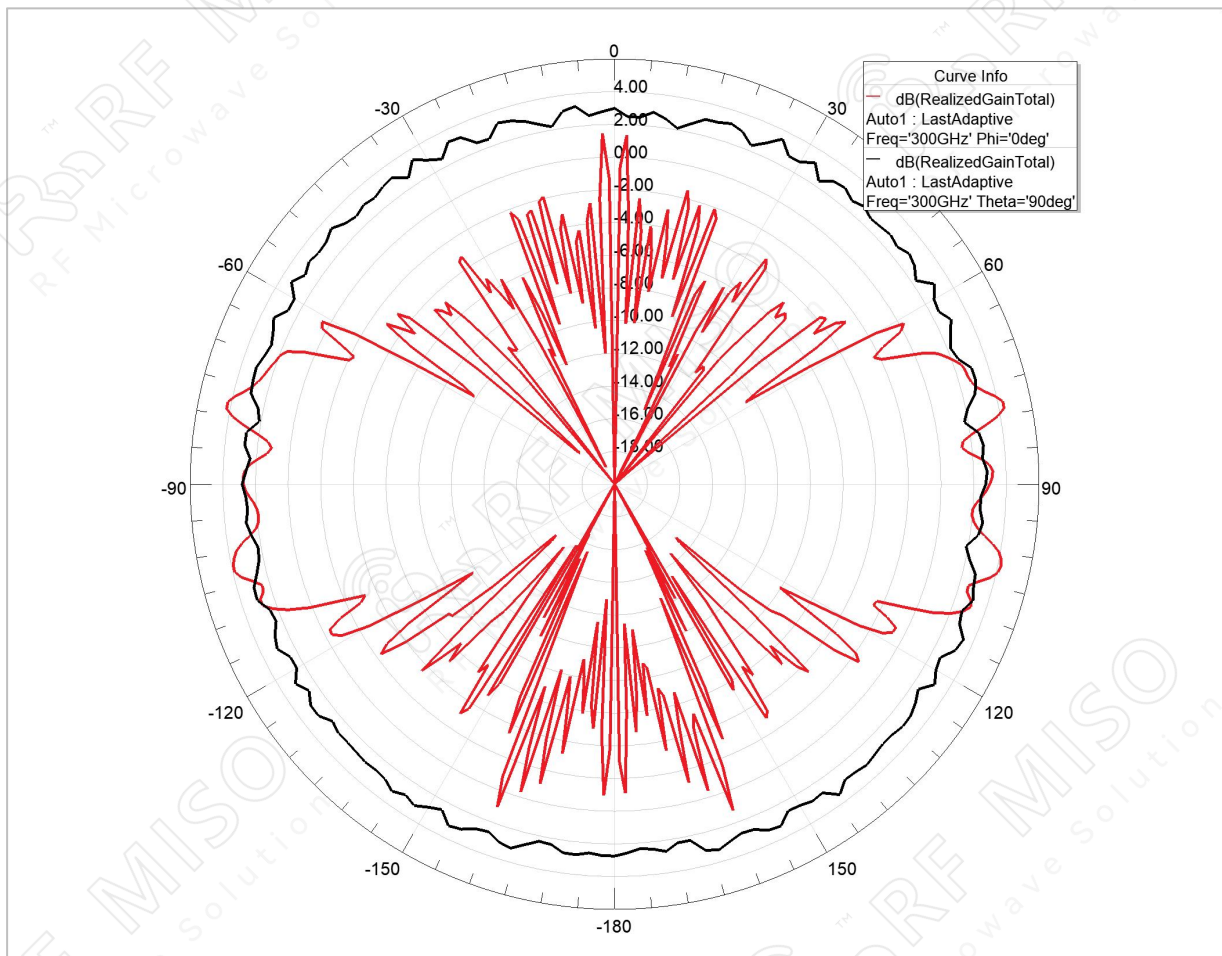
Bi-Conical Antenna 3dBi Typ. Gain, 297-303GHz
Frequency Range, N-Female connector



Bi-Conical Antenna Data Sheet

RM-BCA300-3

Simulation Data



300GHz