

*Bi-Conical Antenna 3dBi Typ. Gain, 297-303GHz
Frequency Range, N-Female connector*

Bi-Conical Antenna Data Sheet

RM-BCA300-3

Descriptions

RF MISO's **Model RM-BCA300-3** is a vertical polarizatoin that operates from 297 to 303 GHz, The antenna offers horizontal Gain 3dBi Typ. The input port of the antenna is equipped with a WR3 waveguide with UG-387 flange.

Specifikaions

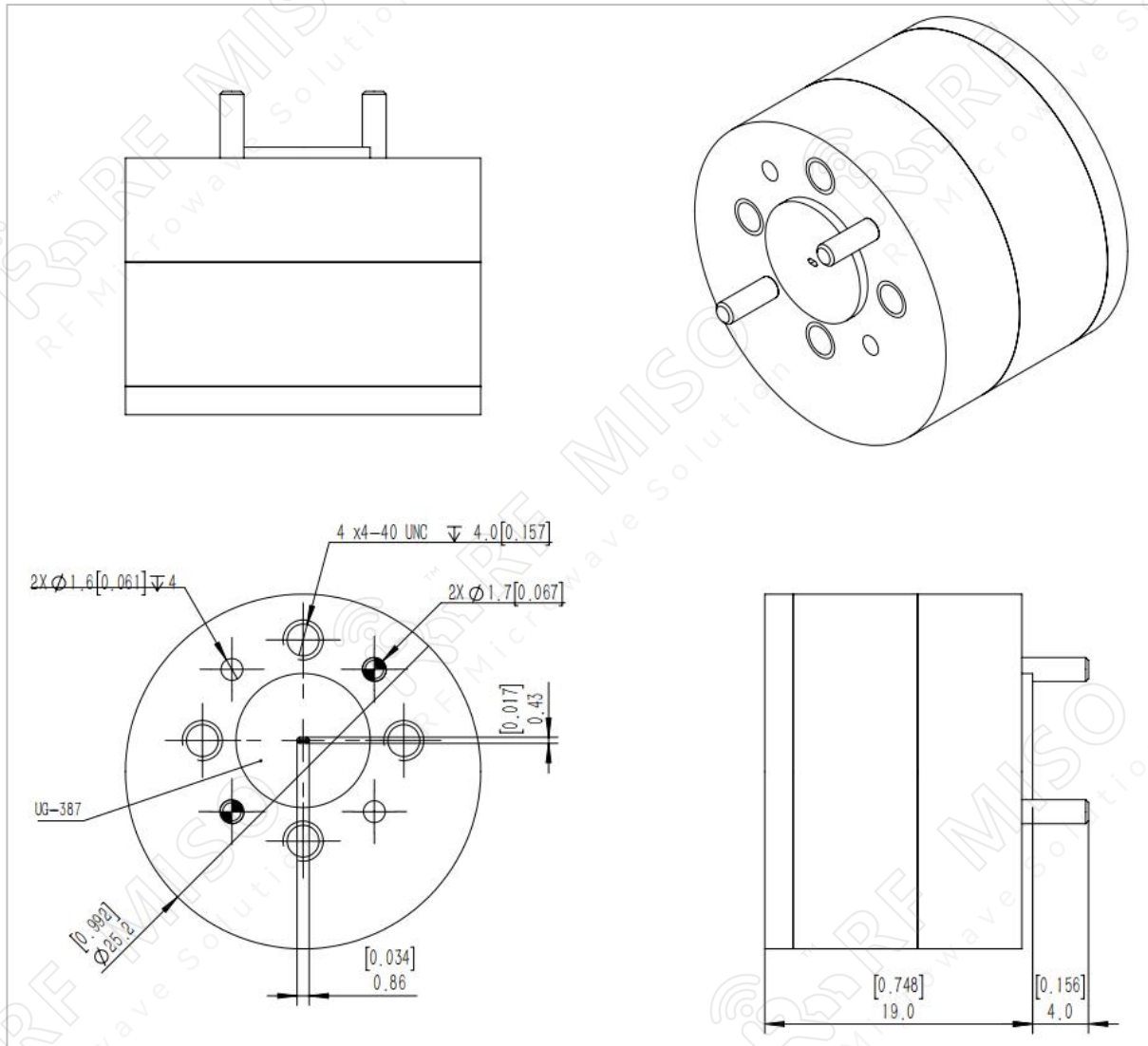
RM-BCA300-3		
Parameters	Typical	Units
Frequency Range	297-303	GHz
Gain	3 Typ.	dBi
VSWR	2 Typ.	
Polarization	Vertical	
Azimuth Beamwidth	360°	
3dB Beamwidth, Vertical	45°	
Material	Al	
Finishing	Gold Plated	
Size (L*W*H)	Ø25.2*19	mm
Weight	0.021	kg
Power Handling, CW	20	W
Operating Temperature	-40 °C ~ +85 °C	

*Bi-Conical Antenna 3dBi Typ. Gain, 297-303GHz
Frequency Range, N-Female connector*

Bi-Conical Antenna Data Sheet

RM-BCA300-3

Outline Drawing



Bi-Conical Antenna 3dBi Typ. Gain, 297-303GHz
Frequency Range, N-Female connector

Bi-Conical Antenna Data Sheet

RM-BCA300-3

Simulation Data

