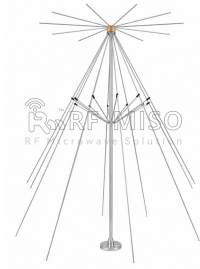


*Bi-Conical Antenna 2dBi Typ. Gain, 0.02-3GHz  
Frequency Range, N-Female connector*



## Bi-Conical Antenna Data Sheet

**RM-BCA0023-2**

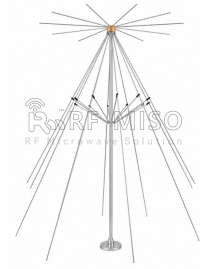
### Descriptions

RF MISO's **Model RM-BCA0023-2** is a vertical polarizatoin that operates from 0.02 to 3 GHz, The antenna offers horizontal Gain 2dBi Typ. The antenna RF ports are N-F connector. The antenna can be widely used in surveillance, antenna measurement, system integration, and other applications.

### Specifcaions

RM-BCA0023-2		
Parameters	Typical	Units
Frequency Range	0.02-3	GHz
Gain	2 Typ.	dBi
VSWR	2 Typ.	
Polarization	Vertical	
Beamwidth	Omnidirectional in the oriented	
Connector	N-Female	
Material	Al	
Finishing	Paint	
Size (L*W*H)	Ø3365.2*3214.3	mm
Weight	33.961	kg
Power Capacity	1000	W
Operating Temperature	-25 °C ~ +55 °C	
Relative Humidity	95% ± 3%(at 40° C)	

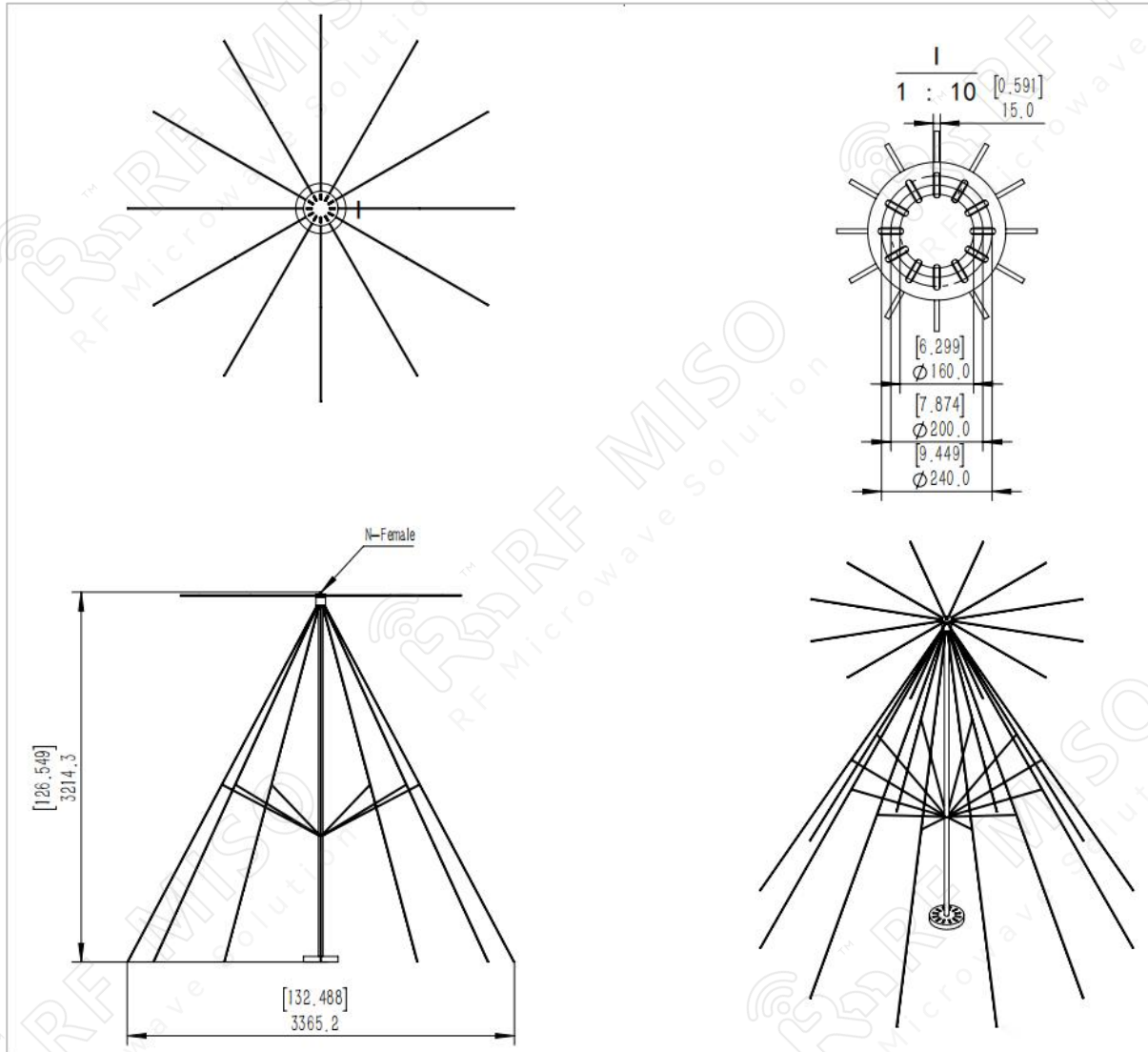
*Bi-Conical Antenna 2dBi Typ. Gain, 0.02-3GHz  
Frequency Range, N-Female connector*



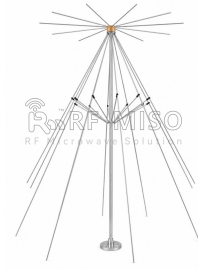
**Bi-Conical Antenna Data Sheet**

**RM-BCA0023-2**

**Outline Drawing**



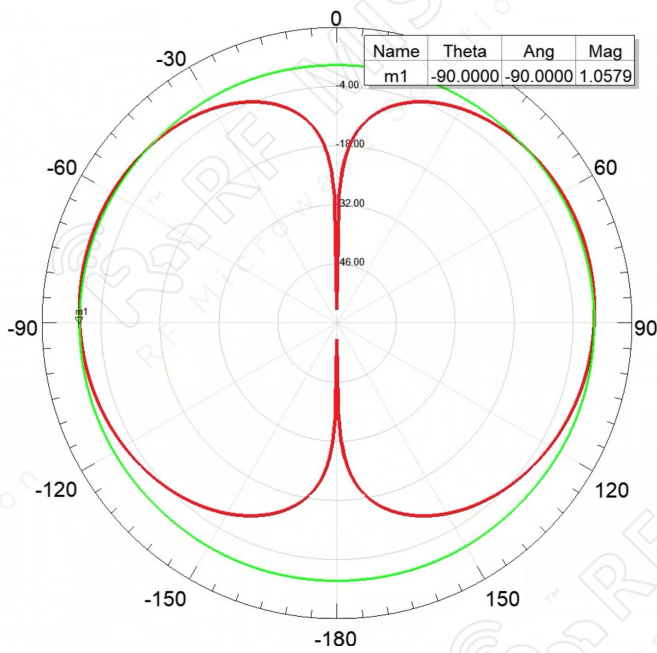
*Bi-Conical Antenna 2dBi Typ. Gain, 0.02-3GHz  
Frequency Range, N-Female connector*



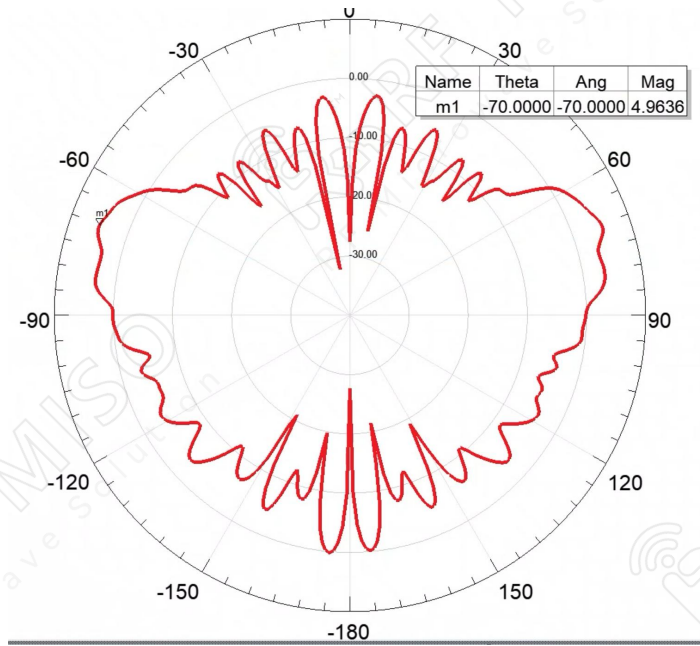
## Bi-Conical Antenna Data Sheet

**RM-BCA0023-2**

### Simulation Data



0.02GHz



3GHz