

Airborne Blade Antenna 30 to 512 MHz
Linear polarization

Blade Antenna Data Sheet

RM-ABA30512

Descriptions

RF MISO's **Model RM-ABA30512** is linear polarized blade antenna that operates from 30 to 512 MHz. The antenna offers a typical VSWR 2.5 Typ. with SMA-Female type connector. Primarily applied across various aviation platforms and in select ground tactical scenarios, enabling broadband communication within the VHF/UHF frequency bands.

Specifications

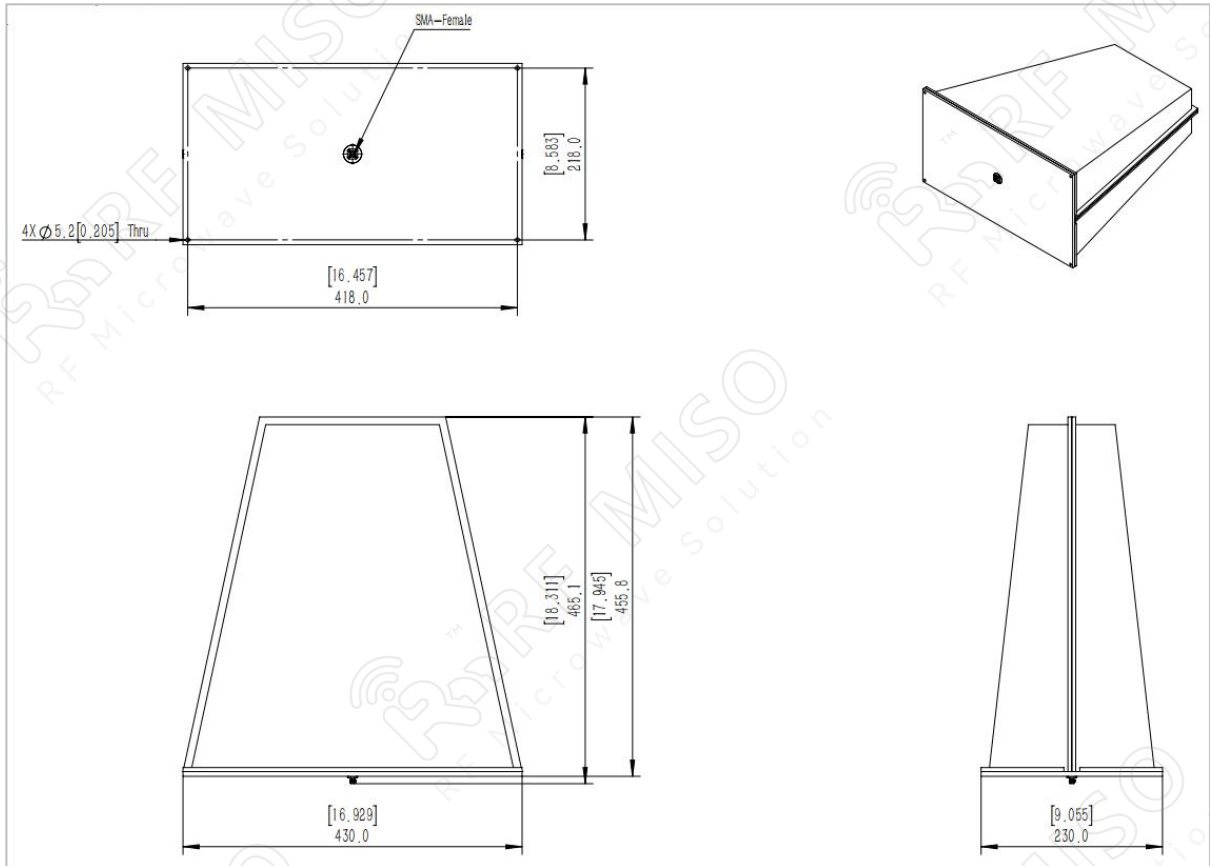
RM-ABA30512		
Parameters	Specifications	Units
Frequency Range	30-512	MHz
VSWR	2.5 Typ.	
Polarization	Linear	
Connector	SMA-Female	
Finishing	Paint Black	
Material	Aluminum Alloy	
Size	430*230*455.8	mm
Weight	27.85	kg

Airborne Blade Antenna 30 to 512 MHz
Linear polarization

Blade Antenna Data Sheet

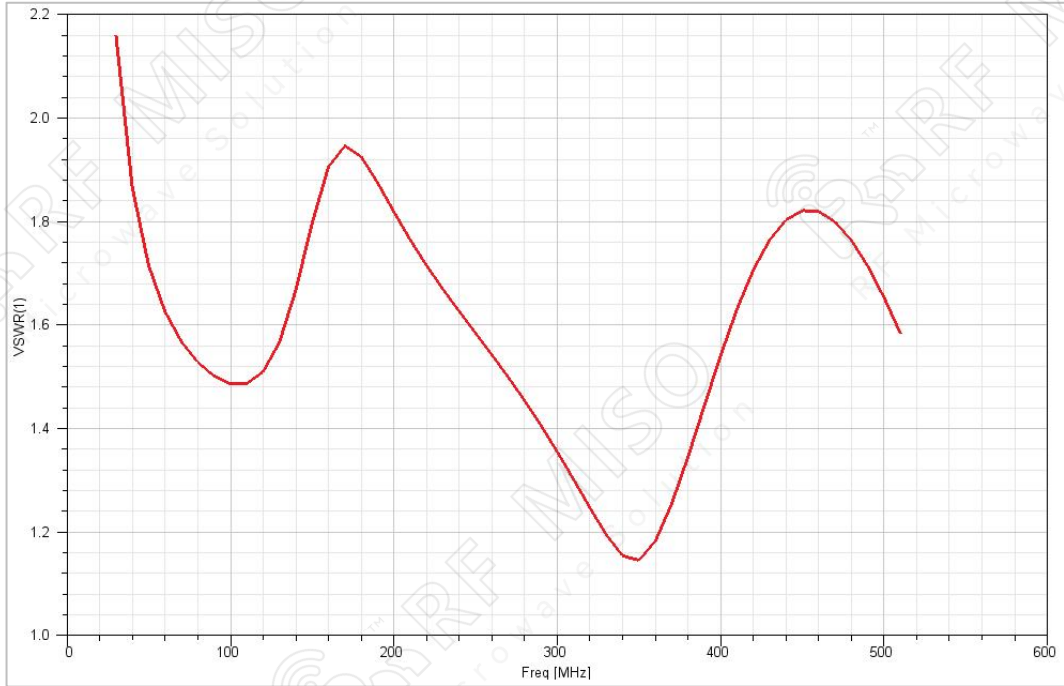
RM-ABA30512

Outline Drawing

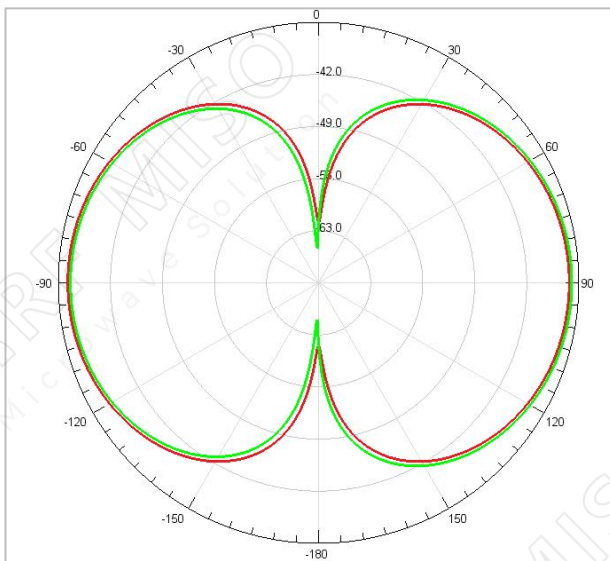


Simulation Result

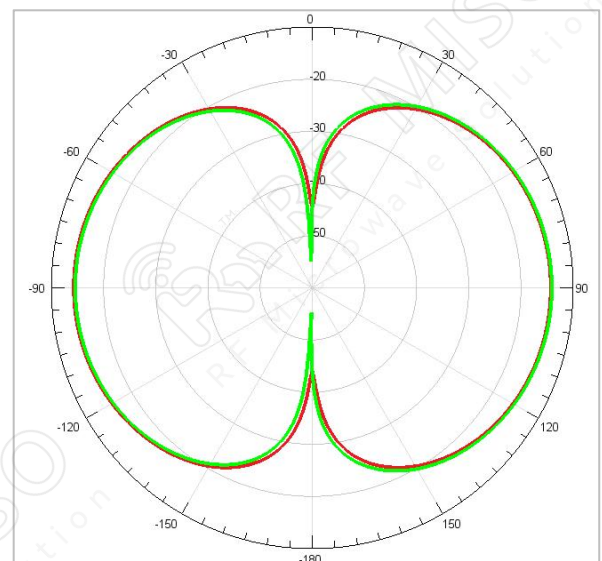
VSWR



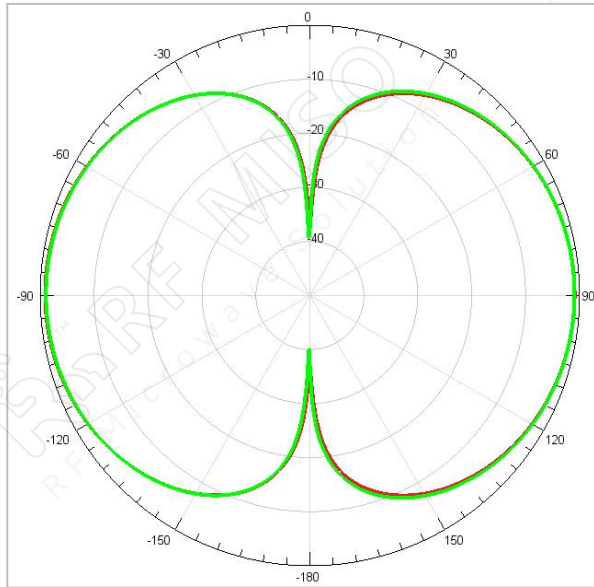
Gain Pattern



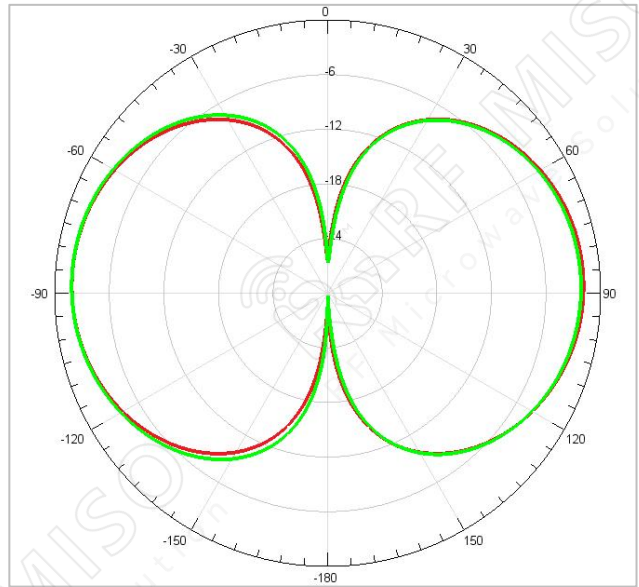
30 MHz



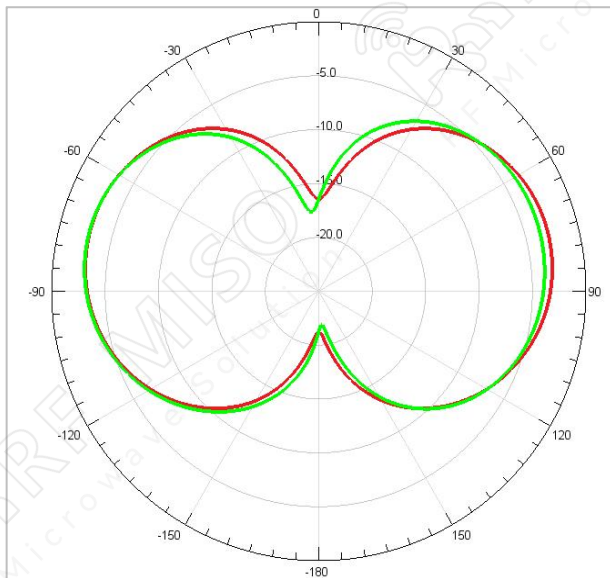
90 MHz



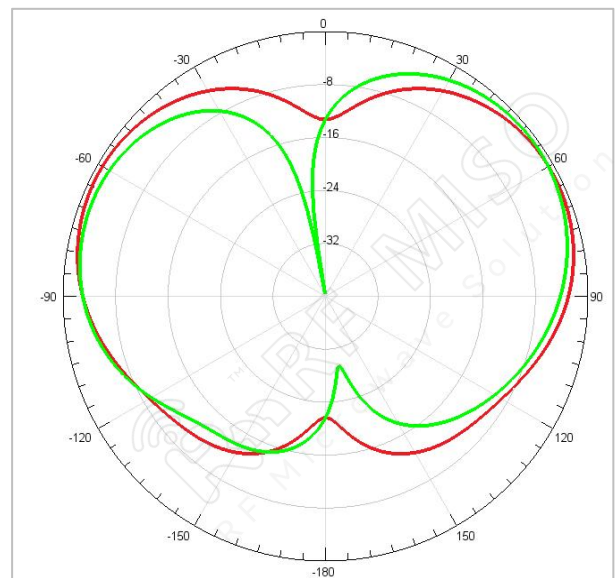
150 MHz



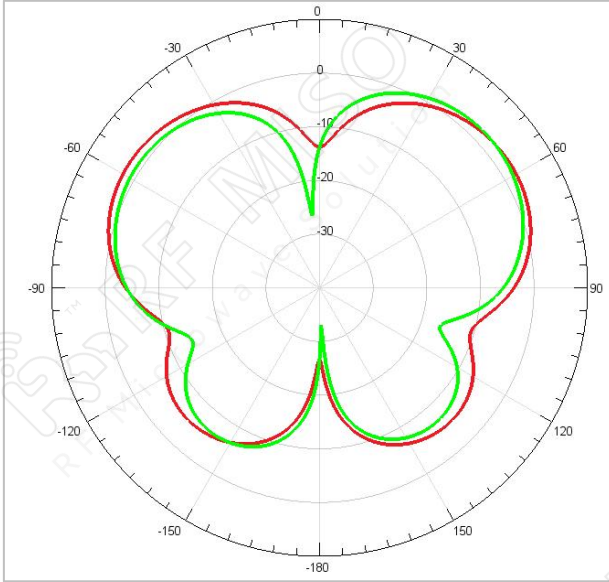
210 MHz



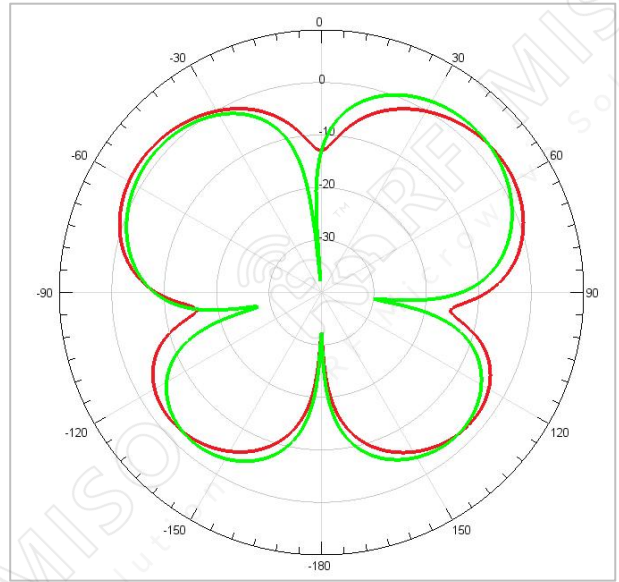
270 MHz



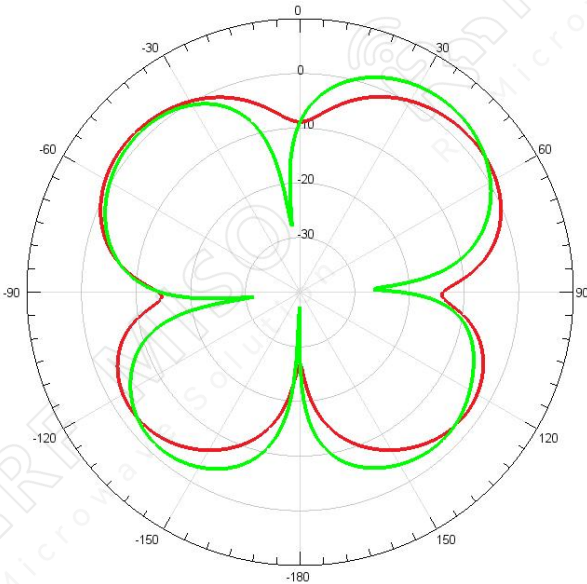
330 MHz



390 MHz



450 MHz



512 MHz